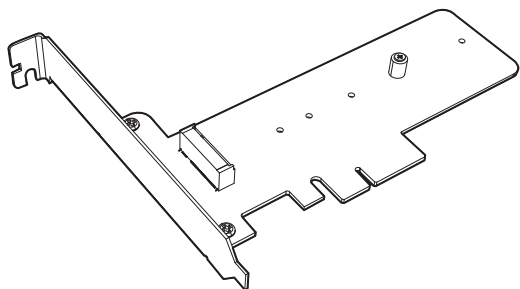
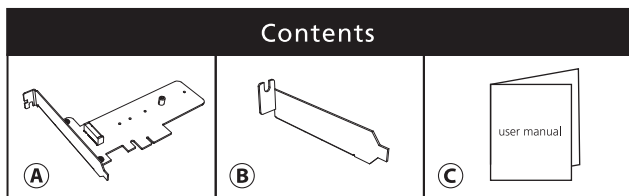


# M.2 SSD to PCIe adapter card

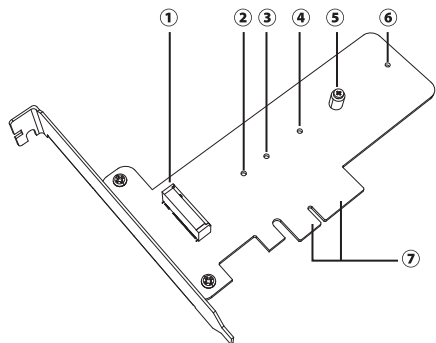


## USER Manual

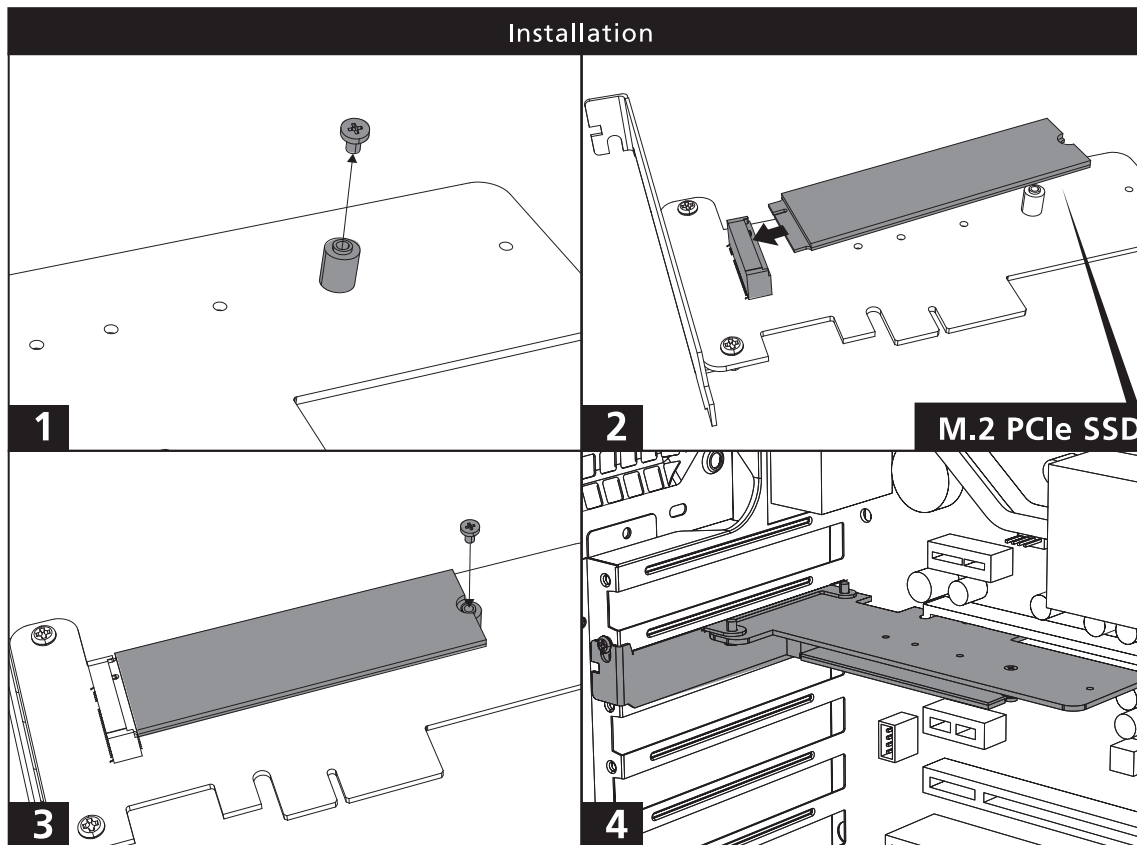
Product Code: AK-PCCM2P-01



## Card Layout



- ① M.2 PCIe socket (M key)
- ② ③ ④ ⑤ ⑥ standoffs for M.2 SSD (2230, 2242, 2260, 2280 or 22110 size)
- ⑦ PCIe bus connector



M.2 PCIe SSD

