



# UCE260

## USB 2.0 Extender Quick Start Guide

© Copyright 2014 ATEN® International Co., Ltd.  
 ATEN and the ATEN logo are trademarks of ATEN International Co., Ltd. All rights reserved. All other trademarks are the property of their respective owners.

This product is RoHS compliant.

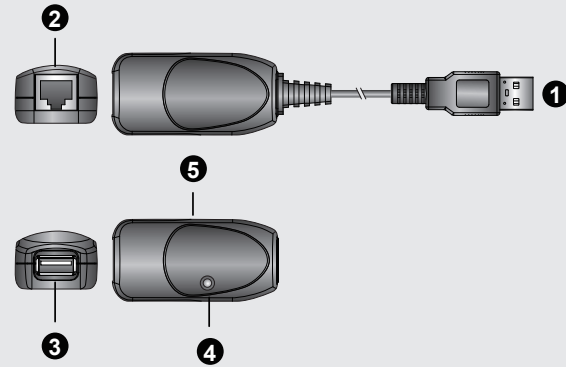
Printing Date: 09/2014



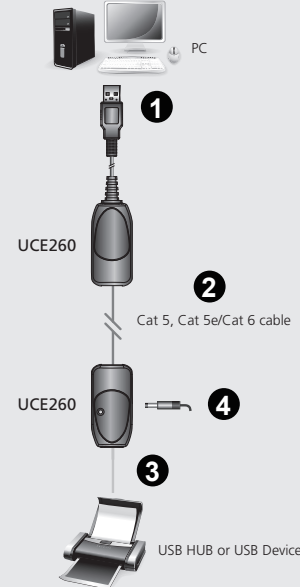
### Package Contents

- 1 Local Unit with USB Cable
- 1 Remote Unit
- 1 Power Adapter (5V, 2.6A)
- 1 User Instructions

### A Hardware Review



### B Hardware Installation



**Important Notice**  
 Considering environmental protection, ATEN does not provide a fully printed user manual for this product. If the information contained in the Quick Start Guide is not enough for you to configure and operate your product, **please visit our website [www.aten.com](http://www.aten.com), and download the full user manual.**

**Online Registration**  
<http://eservice.aten.com>

**Technical Phone Support**  
 International: 886-2-86926959

**North America:**  
 1-888-999-ATEN Ext: 4988

**United Kingdom:**  
 44-8-4481-58923

The following contains information that relates to China:

零件名称	有毒有害物质元素			
	铅	汞	六价铬	多溴联苯/多溴二苯醚
电源适配器	○	○	○	○
主机部件	○	○	○	○

○ 表示该有毒有害物质在该部件所有均质材料中的含量均在SJ/T 11363-2006规定的限量要求之下。  
 ● 表示该部件不符合要求, 但证明有毒物质至少在以下材料中的含量超出SJ/T 11363-2006的限量要求。  
 × 表示该有毒有害物质至少在该部件的某一均质材料中的含量超出SJ/T 11363-2006的限量要求。

**EMC Information**  
 Federal Communication Commission Interference Statement  
 This equipment has been tested and found to comply with the limits for a Class B digital service, pursuant to Part 15 of the FCC rules. These limits are designed to provide reasonable protection against harmful interference in a residential installation. Any changes or modifications made to this equipment may void the user's authority to operate this equipment. This equipment generates, uses, and can radiate radio frequency energy. If not installed and used in accordance with the instructions, may cause harmful interference to radio communications. However, there is no guarantee that interference will not occur in a particular installation. If this equipment does cause harmful interference to radio or television reception, which can be determined by turning the equipment off and on, the user is encouraged to try to correct the interference by one or more of the following measures:

- Reorient or relocate the receiving antenna.
- Increase the separation between the equipment and receiver.
- Connect the equipment into an outlet on a circuit different from that to which the receiver is connected.
- Consult the dealer or an experienced radio/TV technician for help.

FCC Caution: Any changes or modifications not expressly approved by the party responsible for compliance could void the user's authority to operate this equipment.

All external cables connecting to this basic unit must be shielded. For cables connecting to PCMCIA cards, see the option manual or installation instructions.

**Suggestion:**  
 Shielded twisted pair (STP) Cat5 cables must be used with the unit to ensure compliance with FCC & CE standards.

All information, documentation, firmware, software utilities, and specifications contained in this package are subject to change without prior notification by the manufacturer. Please visit our website <http://www.aten.com/download/?cid=dds> for the most up-to-date versions.

### Hardware Review A

1. USB Type A Male
2. RJ45 Jack
3. USB Type A Female
4. LED
5. Power Jack

### Hardware Installation B

1. Connect the Local Unit to the Host System (or PC) via the supplied USB Cable on Local Unit.
2. Connect the USB 2.0 Extender Local Unit and Remote Unit together with a Cat.5, Cat 5e or Cat.6 Cable (supplied by user).

3. Connect USB peripherals to the Remote Unit.
4. Plug the included 5V/2.6A DC Power Supply into the USB 2.0 Extender Remote Unit. Operational power for the Local Unit is provided by the Host System (or PC).
5. Check the LED on USB 2.0 Extender Remote Unit. Make sure that the LED on Remote Unit illuminates in solid green light that means the extenders are powered and well communicated.

### Presentación del hardware A

1. USB tipo A macho
2. Puerto RJ-45
3. USB de tipo A hembra
4. Indicador LED
5. Entrada de alimentación

### Instalar el hardware B

1. Conecte la unidad local al sistema anfitrión (o al PC). Para ello, emplee el cable USB suministrado con la unidad local.
2. Interconecte las unidades local y remota del sistema de extensión USB 2.0. Para ello, emplee un cable de Cat. 5, Cat. 5e o Cat. 6 (no incluido).

3. Conecte los periféricos USB a la unidad remota.
4. Conecte el adaptador de alimentación de 5 V c.c. / 2,6 A a la unidad remota del sistema de extensión USB 2.0. La unidad local obtiene su energía eléctrica del sistema anfitrión (o PC).
5. Compruebe el indicador LED de la unidad remota del sistema de extensión USB 2.0. El indicador LED se ilumina de color verde para indicar que las unidades reciben alimentación eléctrica y que están intercambiando.

### Description de l'appareil A

1. Connecteur USB type A mâle
2. Prise jack RJ45
3. Connecteur USB type A femelle
4. Voyant
5. Prise d'alimentation

### Configuration matérielle B

1. Connectez l'unité locale au système hôte (ou à l'ordinateur) à l'aide du câble USB fourni sur l'unité locale.
2. Connectez ensemble l'unité locale et l'unité distante du système d'extension USB 2.0 en utilisant un câble de catégorie 5, 5e ou 6 (fourni par l'utilisateur).

3. Connectez les périphériques USB à l'unité distante.
4. Branchez l'alimentation 5 V/2,6 A c.c. fournie sur l'unité distante du système d'extension USB 2.0. L'alimentation de l'unité locale est assurée par le système hôte (ou l'ordinateur).
5. Vérifiez le voyant situé sur l'unité distante du système d'extension USB 2.0. Assurez-vous que le voyant situé sur l'unité distante est allumé en vert fixe, ce qui signifie que les systèmes d'extension sont alimentés et qu'ils communiquent bien.

### Presentación del hardware A

1. USB tipo A macho
2. Puerto RJ-45
3. USB de tipo A hembra
4. Indicador LED
5. Entrada de alimentación

### Instalar el hardware B

1. Conecte la unidad local al sistema anfitrión (o al PC). Para ello, emplee el cable USB suministrado con la unidad local.
2. Interconecte las unidades local y remota del sistema de extensión USB 2.0. Para ello, emplee un cable de Cat. 5, Cat. 5e o Cat. 6 (no incluido).

3. Conecte los periféricos USB a la unidad remota.
4. Conecte el adaptador de alimentación de 5 V c.c. / 2,6 A a la unidad remota del sistema de extensión USB 2.0. La unidad local obtiene su energía eléctrica del sistema anfitrión (o PC).
5. Compruebe el indicador LED de la unidad remota del sistema de extensión USB 2.0. El indicador LED se ilumina de color verde para indicar que las unidades reciben alimentación eléctrica y que están intercambiando.

### Hardwareübersicht A

1. USB Typ A (Stecker)
2. RJ-45-Anschluss
3. USB-Anschluss Typ A (Buchse)
4. LED-Anzeigen
5. Stromeingangsbuchse

### Hardware installieren B

1. Verbinden Sie die lokale Einheit mit dem Host-System (bzw. Ihrem PC). Verwenden Sie dazu das mitgelieferte USB-Kabel der lokalen Einheit.
2. Verbinden Sie die lokale Einheit mit der der Gegenstelle der USB 2.0-Verlängerung. Verwenden Sie dazu ein Cat. 5-, Cat. 5e- or Cat. 6-Kabel (nicht im Lieferumfang enthalten).

3. Verbinden Sie die gewünschten USB-Peripheriegeräte mit der Einheit der Gegenstelle.
4. Verbinden Sie das mitgelieferte Netzteil (5 V= / 2,6 A) mit dem Gerät der Gegenstelle Ihrer USB 2.0-Verlängerung. Die lokale Einheit wird vom Host bzw. PC mit Strom versorgt.
5. Überprüfen Sie die LED-Anzeige am Gerät der Gegenstelle Ihrer USB 2.0-Verlängerung. Die LED-Anzeige leuchtet grün, wenn die Geräte mit Strom versorgt werden und untereinander kommunizieren können.

### Обзор оборудования A

1. Штекер USB тип А
2. Гнездо RJ45
3. Гнездо USB тип А
4. Индикатор
5. Гнездо питания

### Настройка оборудования B

1. Подключите локальный модуль к главной системе (или ПК) при помощи кабеля USB, входящего в комплект поставки локального модуля.
2. Соедините локальный и удаленный модули удлинителя USB 2.0 при помощи кабеля Cat.5, Cat 5e или Cat.6 (предоставляется пользователем).

3. Подключите периферийные устройства USB к удаленному модулю.
4. Подключите к удаленному модулю удлинителя USB 2.0 идущий в комплекте блок питания (5 В/2,6 А пост. тока). Локальный модуль получает питание от главной системы (или ПК).
5. Проверьте индикатор на удаленном модуле удлинителя USB 2.0. Убедитесь, что индикатор на удаленном модуле горит ровным зеленым светом, что означает наличие питания и связи между модулями удлинителя.

