

E16

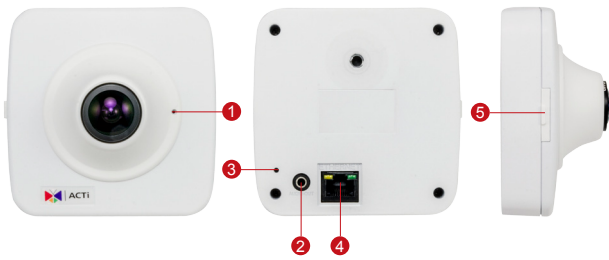
10MP Fisheye Cube with Basic WDR, Fixed Lens



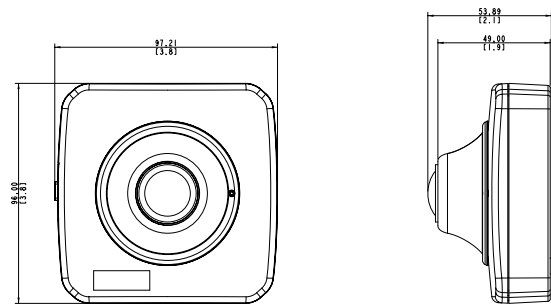
- 10 Megapixel
- Fixed Lens with f1.37mm / F2.0
- Basic WDR (70 dB)
- 7 fps at 3648 x 2736
- 180/360° Fisheye View

PHOTO INDICATION

DIMENSION DIAGRAM



- ① Built-in Microphone
- ② Audio Output
- ③ Reset Button
- ④ Ethernet Port
- ⑤ Memory Card Slot



Unit: mm [inch]

ACCESSORY OPTIONS

Power Supply	
PPOE-0001	IEEE 802.3af PoE Injector for Class 1, 2 or 3 devices, with universal adapter



PRODUCT SPECIFICATION

E16

• Device

Device Type	Fisheye Cube
Image Sensor	Progressive Scan CMOS
Sensor Size	1/2.3"
Effective Pixels	3856 (H) x 2764 (V) (10.66 MP)
Day / Night	No
Low Light Sensitivity	Standard
Minimum Illumination	Color: 0.1 lux at F2.0 (30 IRE, 2400°K)
Mechanical IR Cut Filter	No
IR Sensitivity Range	No
IR LED	No
Electronic Shutter	1/5 ~ 1/2,000 sec (manual mode); 1/5 ~ 1/10,000 sec (auto mode)
TV Lines	1450
S/N Ratio	52 dB

• Lens

Focal Length / Aperture	Fixed (Fisheye lens), f1.37mm / F2.0
Iris	Fixed iris
Focus	Fixed focus
Lens Mount	Board mount
Horizontal Viewing Angle	180° (overview area), 109.8° (high detail area)

• Video

Compression	H.264 (Baseline / Main / High profile), MJPEG
Max. Frame Rate vs. Resolution	7 fps at 3648 x 2736; 7 fps at 2592 x 1944; 7 fps at 2048 x 1536; 7 fps at 1440 x 1080; 7 fps at 1280 x 960; 7 fps at 800 x 600; 7 fps at 640 x 480; 7 fps at 320 x 240
View Mode	Fisheye view, 180° / 360° Panorama, ePTZ
Multi-Streaming	Simultaneous dual streams based on two configurations
Bit Rate	28 Kbps - 6 Mbps (per stream)
Bit Rate Mode	Constant, Variable
Image Enhancement	Basic WDR (70 dB); White balance: automatic, hold and manual; Brightness; Contrast; Sharpness (auto); Auto gain control; 2D+3D digital noise reduction; Flickerless
Privacy Mask	4 configurable regions
Text Overlay	User defined text on video
Image Orientation	Image flip and mirror

• Audio

Compression	8kHz, Mono, PCM, 16 bit encoding; G.711
Audio-In	Built-in microphone
Audio-Out	3.5mm phone jack

• Network

Protocol & Service	TCP, UDP, HTTP, HTTPS, DHCP, PPPoE, RTP, RTSP, IPv4, IPv6, DNS, DDNS, NTP, ICMP, ARP, IGMP, SMTP, FTP, UPnP, SNMP, Bonjour
Ethernet Port	1, Ethernet (10/100 Base-T), RJ-45 connector
Security	IP address filtering; HTTPS encryption; Password protected user levels; Anonymous login; IEEE 802.1X network access control

• Alarm

Alarm Trigger	Video motion detection (3 regions); Sound detection
Alarm Response	Notify control center; Change camera settings; Command other devices; E-mail notification with snapshots; Save video or snapshot to local storage; Upload video or snapshot to FTP

• Interface

Local Storage	MicroSDHC/MicroSDXC memory card slot (card not included)
---------------	--

• General

Power Source / Consumption	PoE Class 2 (IEEE802.3af) / 3.84 W
Weight	251 g (0.553 lb)
Dimensions (W x H x D)	96 mm x 96 mm x 45 mm (3.8" x 3.8" x 1.8")
Bundled Accessories	Bracket
Mount Type	Wall, Ceiling
Starting Temperature	-10°C ~ 50°C (14°F ~ 122°F)
Operating Temperature	-10°C ~ 50°C (14°F ~ 122°F)
Operating Humidity	10% ~ 85% RH
Approvals	CE (EN 55022 Class B, EN 55024), FCC (Part15 Subpart B Class B), UL (for optional PoE injector)

• Integration

Unified Solution	Fully compatible with ACTi software
ISV Integration	Software Development Kit (SDK) available; ONVIF compliant
GPS Position	Manual setting
Firmware Access Browser	Microsoft Internet Explorer 8.0 or newer (full functionality) Safari with QuickTime installed, and other browsers with VLC installed (partial functionality)