

# VERSO

SIDE-OPENING POLYCARBONATE CAMERA HOUSING



IP66

IP67

TYPE  
4X

IK10



VERSO + WBOVA2



VERSO + CAMERA

## DESCRIPTION

Sturdy, tamper-proof housing designed to simplify installation and service and guarantee total protection against all environmental conditions. Its dimensions make it suitable for a variety of combinations of cameras and lenses.

Entirely constructed from technopolymer, it guarantees high impact resistance and high weather protection from external agents and UV rays.

Very easy to install thanks to the side-opening system that allows the full access to the camera, lenses and all internal connections.

The housing proposes various mounting options, wall or ceiling brackets, feedthrough and non-feedthrough, or Pan & Tilt head.

## MAIN FEATURES

IP66/IP67 (with cable glands or optional sealing rings)

Vandal-proof protection (IK10)

Pre-arranged for internal cable management bracket

Version with a very efficient cooling system for installation with IP cameras and for high environmental temperature

Available accessories: heater, camera power supply, fan assisted heater and tamper switch

## TECHNICAL DATA

### MECHANICAL

Made of strong technopolymer (polycarbonate)

Sunshield in ABS

RAL9002 Colour

Stainless steel external screws

Internal usable area (WxH): 70x70mm (2.7x2.7in)

Internal usable length (with or without accessories): 270mm (10.6in)

Cable glands: 3xM16

Polycarbonate window (WxH): 105x64mm (4.1x2.5in)

Unit weight: 1.5kg (3.3lb)

### ELECTRICAL

Supply voltage/Current consumption (empty version):

- From 12Vdc up to 24Vdc, 1A max
- From 12Vac up to 24Vac, 1A max, 50/60Hz
- From 120Vac up to 230Vac, 400mA max, 50/60Hz

Supply voltage/Current consumption (version with heater, Ton 15°C±3°C (59°F±5°F), Toff 22°C±3°C (72°F±5°F)):

- From 12Vdc up to 24Vdc, 5A max
- From 12Vac up to 24Vac, 5A max, 50/60Hz
- From 120Vac up to 230Vac, 700mA max, 50/60Hz

Supply voltage/Current consumption (version with heater fan assistant, continuous duty):

- 12Vdc, 400mA max
- 24Vac, 200mA max, 50/60Hz
- From 100Vac up to 240Vac, 40mA max, 50/60Hz (with wide-range power supply)

Supply voltage/Current consumption (version with blower and thermostat for models with double filter for air renewal, Ton 35°C±3°C (95°F±5°F), Toff 20°C±3°C (71°F±5°F)):

- 12Vdc, 400mA max
- 24Vac, 200mA max, 50/60Hz

Camera power supply:

- IN from 100Vac up to 240Vac, 50/60Hz - OUT 12Vdc, 1.25A
- IN 230Vac, 50Hz - OUT 24Vac, 50Hz, 400mA

### ENVIRONMENT

For installation indoors and outdoors

Operating temperature (with heater): From -20°C (-4°F) up to +60°C (140°F)

Chemical agents resistance

- High resistance: basics, alcohols, gas, hydrocarbon
- Good resistance: Organic acids, inorganic acids, oils
- Low resistance: Solvents

### CERTIFICATIONS

Electrical safety (CE): EN60950-1, IEC60950-1

Electromagnetic compatibility (CE): EN50130-4, EN61000-6-3, EN55032 Class B, FCC Part. 15 Class B, ICES-003 Class B

Outdoor installation (CE): EN60950-22, IEC 60950-22

IP protection degree: EN60529

- IP66/IP67 (with cable glands)
- IP66/IP67 (with bracket with internal cable channel, with sealing rings)
- IP55 (with bracket with internal cable channel)
- IP44 (for models with a double filter for air renewal)

IK protection degree: EN62262 (IK10)

UL certification:

- cULus Listed (TYPE 4X, except for versions with double filter for the air exchange)
- UL94, V1 (fire-self extinguish)

EAC certification

### ACCESSORIES

OHPVPOEIPM	Maintenance/retrofit kit for VERSO and VERSO Hi-PoE IPM housings
OHEH26	Heater 120Vac/230Vac for HOV, HTV, VERSO, VERSO COMPACT housings
OHEH27	Heating 12Vdc/24Vac for HOV, HTV, HTC, VERSO and VERSO COMPACT housings
OHPVV1	Heater fan assistant, continuous duty, IN 12Vdc, for VERSO and VERSO COMPACT housings
OHPVV2	Heater fan assistant, continuous duty, IN 24Vac, for VERSO and VERSO COMPACT housings
OHPVV3	Heater fan assistant, continuous duty, IN 100-240Vac, for VERSO and VERSO COMPACT housings
OHPVCF3	Blower with thermostat and air filter IN 120/240Vac
OHEPS19B	Wide range camera power supply IN 100-240Vac - OUT 12Vdc, 1.25A, for VERSO, VERSO POLAR, VERSO COMPACT, HEG, HTG housings
OHEPS20	Camera power supply IN 230Vac - OUT 24Vac, 10VA, for VERSO, VERSO POLAR, VERSO COMPACT, HEG, HTG housings
OHEGBPS1B	Wide range camera power supply IN 100-240Vac - OUT 12Vdc, 1.25A, in weatherproof box, for VERSO, VERSO POLAR, HEG, HTG housings
OHEGBPS2B	Camera power supply IN 230Vac - OUT 24Vac in weatherproof box, 10VA, for VERSO, VERSO POLAR, HEG, HTG housings
OHPVTA1	Tamper switch on board with tamper proof screws and key for VERSO housing
OWBIP2	Sealing rings kit (3xM16) IP66/IP67 for WBOVA2 and WCM4A2 brackets for PUNTO, HOV, HTV, HTC, VERSO, VERSO POLAR, VERSO COMPACT, HEB, HEK housings
OHEGBB	Weatherproof junction box
OSUPPIR	Support for 1 GEKO IRH illuminator under the housing (Not compatible with WBOVA2 wall bracket)

**RELATED PRODUCTS**

PTH300 Horizontal/vertical Pan & Tilt

**BRACKETS AND ADAPTORS**

WBJA	Wall mount bracket
WBOVA2	Wall bracket with internal cable channel
WBOV3A2	Wall bracket with internal cable channel, counterplate and support box, not compatible with OHEBVF1, OHEBVF2 and OHEBVF3
WCM3A	Ceiling bracket with ball joint
WCM5A	Ceiling bracket with ball joint
WCM4A2	Ceiling bracket with internal cable channel
WFWCA	Column bracket with joint

**SPARE PARTS**

OHPVS42A000	Sunshield
DOTHPV01	Cable glands, screws and spacers for camera and lens
OHPV42CS04	Complete upper body

**PACKAGE**

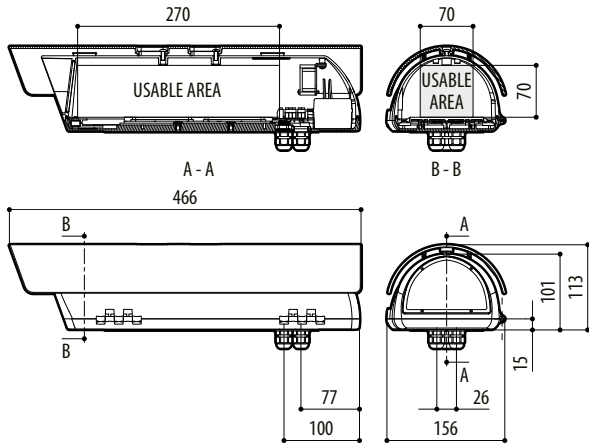
Model Number	Weight	Dimensions (WxHxL)	Master carton
HPV42K1A000	1.8kg (4lb)	16.5X15.5X49cm (6.5x6.1x19.3in)	10

**AVAILABLE MODELS**

Model Number	Sunshield	Heater 120Vac/230Vac	Heater 12Vdc/24Vac	12Vdc fan with double air exchange filter	24Vac fan with double air exchange filter	Max consumption
HPV42K0A000	✓	-	-	-	-	-
HPV42K1A000	✓	✓	-	-	-	40W
HPV42K2A000	✓	-	✓	-	-	20W
HPV42K2A016	✓	-	✓	-	✓	24W
HPV42K2A017	✓	-	✓	✓	-	24W

## TECHNICAL DRAWINGS

The dimensions of the drawings are in millimetres.



VERSO