



---

# FS-C1020MFP+

## PARTS LIST

Published in January 2012  
845J3120  
First Edition

## — CONTENTS —

FIG. 1 Exterior Section 1 .....	2	FIG. 26 Drive Section 3 .....	52
FIG. 2 Exterior Section 2 .....	4	FIG. 27 Drive Section 4 .....	54
FIG. 3 Exterior Section 3 .....	6	FIG. 28 Electrical Section 1 .....	56
FIG. 4 Exterior Section 4 .....	8	FIG. 29 Electrical Section 2 .....	58
FIG. 5 Exterior Section 5 .....	10	FIG. 30 Electrical Section 3 .....	60
FIG. 6 Operation Section .....	12	FIG. 31 Electrical Section 4 .....	62
FIG. 7 DP Section 1 .....	14	FIG. 32 Electrical Section 5 .....	64
FIG. 8 DP Section 2 .....	16	FIG. 33 Frame Section 1 .....	66
FIG. 9 DP Section 3 .....	18	FIG. 34 Frame Section 2 .....	68
FIG. 10 DP Section 4 .....	20	FIG. 35 Frame Section 3 .....	70
FIG. 11 Scanner Section 1 .....	22	FIG. 36 Frame Section 4 .....	72
FIG. 12 Scanner Section 2 .....	24	FIG. 37 Frame Section 5 .....	74
FIG. 13 Laser Scanner Section .....	26	FIG. 38 Labels .....	76
FIG. 14 Paper Tray Section 1 .....	28	FIG. 39 Accessories .....	78
FIG. 15 Paper Tray Section 2 .....	30		
FIG. 16 Paper Tray Section 3 .....	32	• INDEX .....	80
FIG. 17 Paper Tray Section 4 .....	34		
FIG. 18 Intermediate Transfer Section .....	36		
FIG. 19 Paper Transport Section 1 .....	38		
FIG. 20 Paper Transport Section 2 .....	40		
FIG. 21 Fusing Section .....	42		
FIG. 22 Paper Exit Section 1 .....	44		
FIG. 23 Paper Exit Section 2 .....	46		
FIG. 24 Drive Section 1 .....	48		
FIG. 25 Drive Section 2 .....	50		

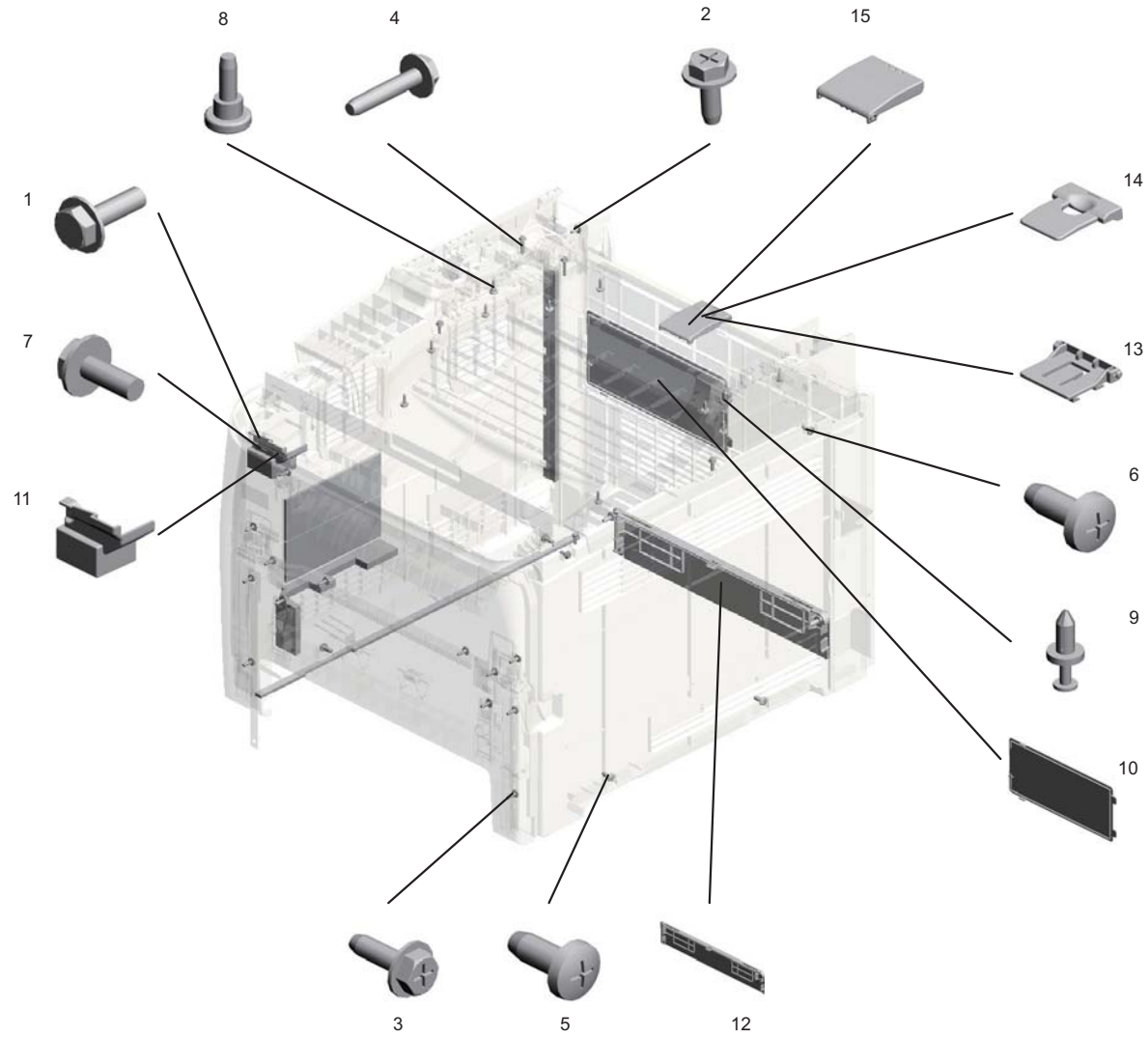


FIG. 1 Exterior Section 1

Ref. No.	Part.No.	Alternative.	Description	Notes	Quantity	
					230	240
1	305JK75320	5JK75320	SCREW:M3X10		1	1
2	3038407031	38407031	TAPPING SCREW - M3X8		4	4
3	305H772000	5H772000	TAPPING SCREW - M3X10		22	22
4	305JK75330	5JK75330	TAPPING SCREW:3X16		2	2
5	305H772040	5H772040	TAPPING SCREW M4X10		2	2
6	305JK75340	5JK75340	BINDING SELF-TAPPING SCREW:4X10		5	5
7	305H772160	5H772160	TAPPING SCREW 3X8		3	3
8	305JK70190	5JK70190	STEPPED SCREW - M5		1	1
9	305JH70200	5JH70200	RIVET:MM5		1	1
10	305JK70720	5JK70720	MEMORY COVER		1	1
11	305JK70730	5JK70730	INNER COVER - EXIT		1	1
⊙ 12	305JK70740	5JK70740	CASSETTE COVER		1	1
13	305JK70770	5JK70770	BASE - EXIT END FENCE		1	1
14	305JK70780	5JK70780	REAR END FENCE - EXIT		1	1
15	305JK70790	5JK70790	FRONT END FENCE - EXIT		1	1

•Parts with "⊙" indicate regular maintenance parts.  
 •Parts with Ref.No. indicate maintenance parts and the ones without it indicate out of the above.

•Parts with "-" are component parts or sub-assemblies of the assembly appearing immediately above them.  
 •Parts with "•" are component parts or sub-assembly with "-" appearing immediately above them.

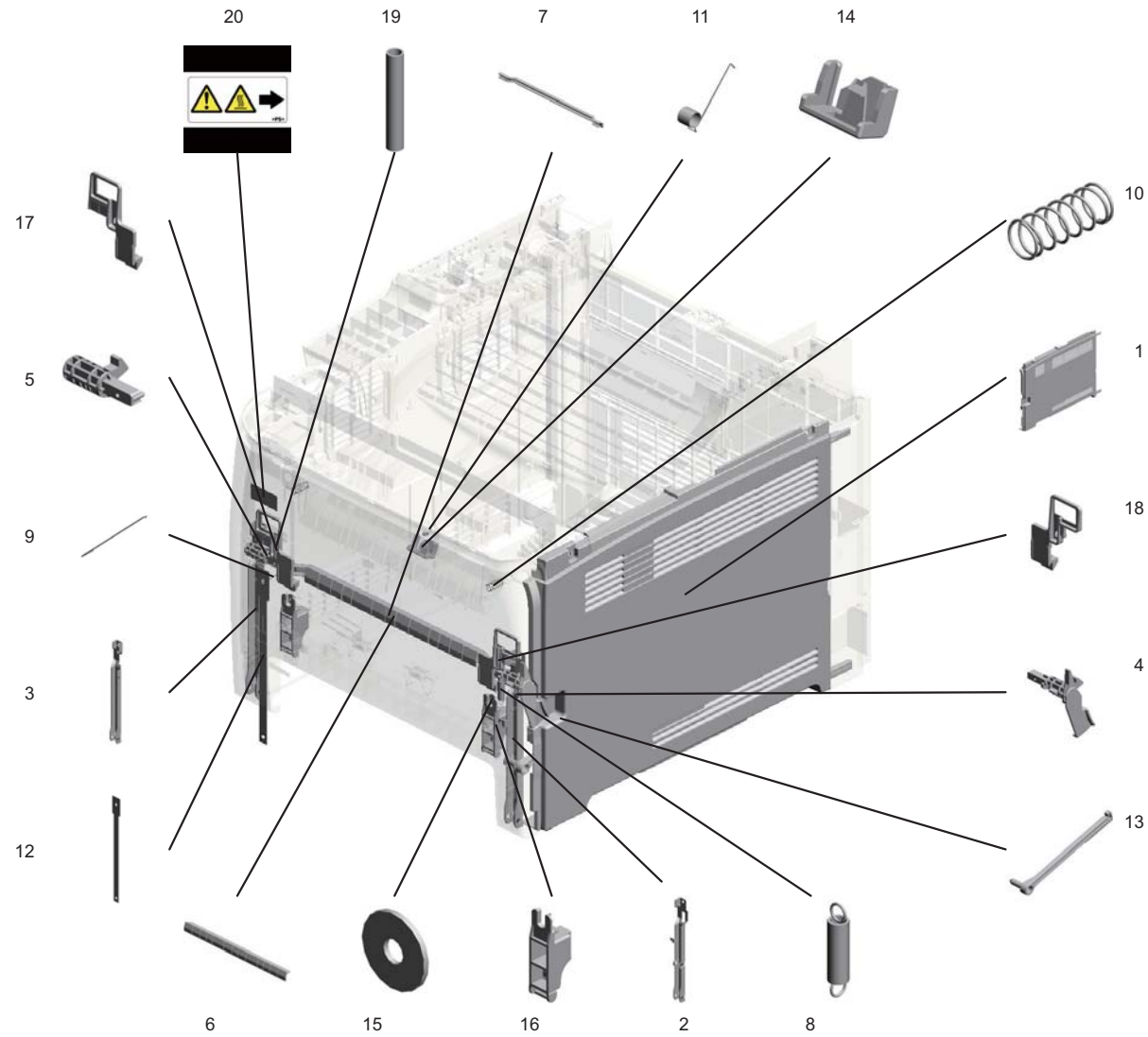


FIG. 2 Exterior Section 2

Ref. No.	Part.No.	Alternative.	Description	Notes	Quantity	
					230	240
1	305JK70810	5JK70810	COVER:RIGHT:EU		1	1
2	305JK71340	5JK71340	RIGHT FRAME - FRONT COVER		1	1
3	305JK71350	5JK71350	LEFT FRAME - FRONT COVER		1	1
4	305JK71360	5JK71360	RIGHT LOCK LEVER		1	1
5	305JK71370	5JK71370	LEFT LOCK LEVER		1	1
6	305JK71380	5JK71380	LOCK GUIDE		1	1
7	305JK71390	5JK71390	LOCK LEVER ARM		1	1
8	305JK71400	5JK71400	TENSION SPRING		1	1
9	305JK71410	5JK71410	GROUND WIRE		1	1
10	305JK71430	5JK71430	GUIDE PLATE SPRING - MIDDLE		2	2
11	305JK71460	5JK71460	TORSION SPRING - FEELER		1	1
12	305JK71480	5JK71480	STOPER BAND		1	1
13	305JK71490	5JK71490	BRAKE RACK - FRONT COVER		1	1
14	305JK71500	5JK71500	STOPPER:FEELER:PAPER FEED SENSOR		1	1
15	305JK71510	5JK71510	WASHER - 0.8X10.8MM		2	2
16	305JK71530	5JK71530	COMPRESSION SPRING HOLDER		2	2
17	305JK71570	5JK71570	LEFT HOOK		1	1
18	305JK71580	5JK71580	RIGHT FHOOK		1	1
19	305JK71590	5JK71590	COMPRESSION SPRING - GRIP		2	2
20	305JK71880	5JK71880	DECAL:HIGHTEMPERATURE		1	1

•Parts with "⊙" indicate regular maintenance parts.  
 •Parts with Ref.No. indicate maintenance parts and the ones without it indicate out of the above.

•Parts with "-" are component parts or sub-assemblies of the assembly appearing immediately above them.  
 •Parts with "• •" are component parts or sub-assembly with "-" appearing immediately above them.

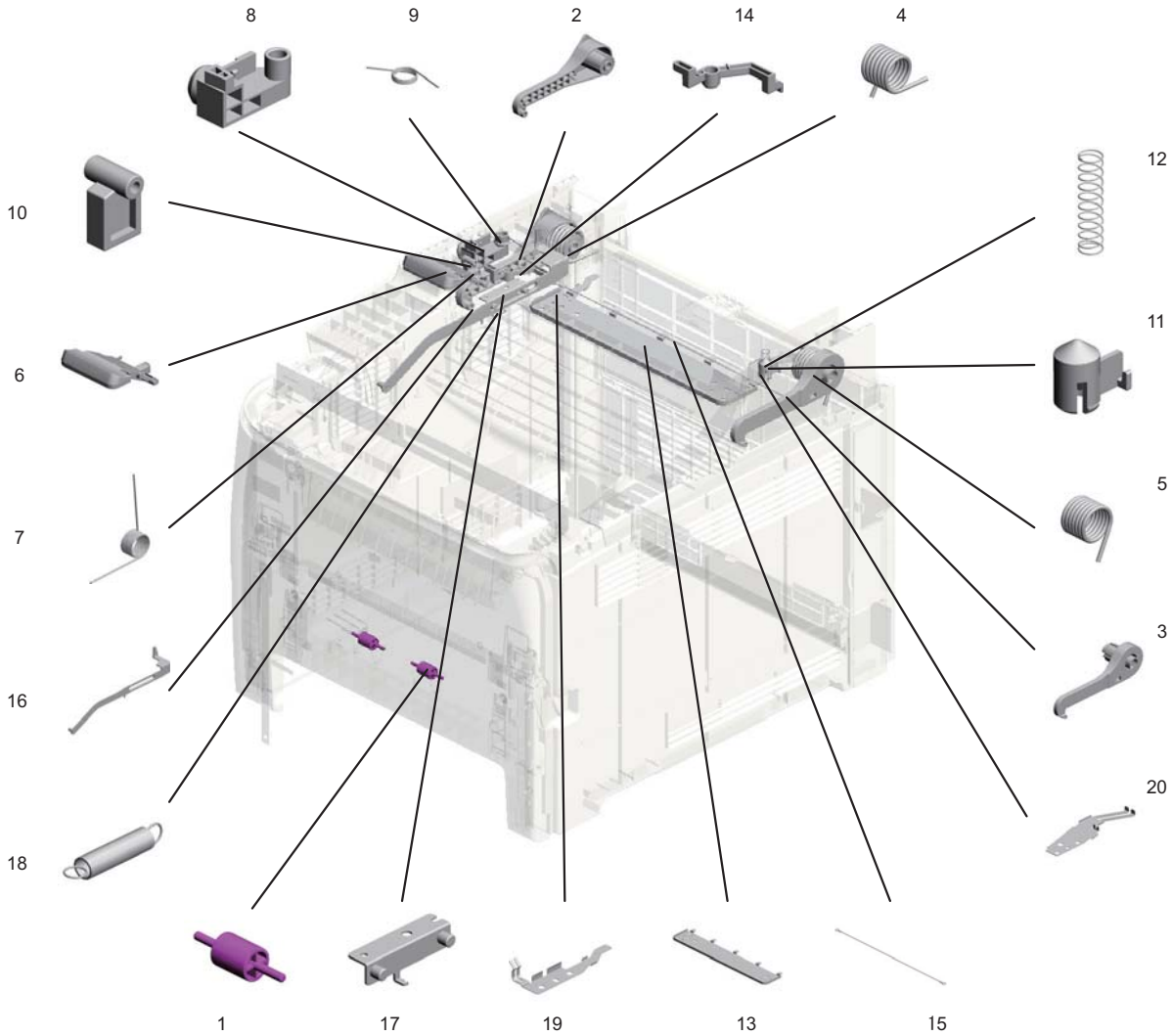


FIG. 3 Exterior Section 3

5J3

Ref. No.	Part.No.	Alternative.	Description	Notes	Quantity	
					230	240
1	305JK71890	5JK71890	DUPLEX ROLLER		2	2
2	305JK72420	5JK72420	LEFT SLIDE ARM		1	1
3	305JK72430	5JK72430	RIGHT SLIDE ARM		1	1
4	305JK72440	5JK72440	LEFT TORSION SPRING - ARM		1	1
5	305JK72450	5JK72450	RIGHT TORSION SPRING - ARM		1	1
6	305JK72490	5JK72490	SEPARATION PLATE - SLIDE		1	1
7	305JK72500	5JK72500	TORSION SPRING - SEPARATION PLATE		1	1
8	305JK72510	5JK72510	LEFT SLIDE STOPPER - SCANNER		1	1
9	305JK72520	5JK72520	TORSION SPRING- SLIDE STOPPER		1	1
10	305JK72530	5JK72530	STOPPER PLATE - SCANNER		1	1
11	305JK72540	5JK72540	RIGHT SLIDE STOPPER - SCANNER		1	1
12	305JK72550	5JK72550	COMPRESSION SPRING - STOPPER		1	1
13	305JK72560	5JK72560	UPPER SUPPORTING PLATE - COVER		1	1
14	305JK72570	5JK72570	RIGHT ACTUATOR - STOPPER		1	1
15	305JK72580	5JK72580	WIRE - SCANNER LOCK		1	1
16	305JK72600	5JK72600	ARM - LOCK LEVER		1	1
17	305JK72610	5JK72610	BRACKET - ARM		1	1
18	305JK72620	5JK72620	TENSION SPRING -LOCK ARM		1	1
19	305JK72630	5JK72630	GROUND PLATE:SUPPORTING PLATE:LEFT		1	1
20	305JK72640	5JK72640	GROUND PLATE:SUPPORTING PLATE:RIGHT		1	1

•Parts with "⊙" indicate regular maintenance parts.  
 •Parts with Ref.No. indicate maintenance parts and the ones without it indicate out of the above.

•Parts with "-" are component parts or sub-assemblies of the assembly appearing immediately above them.  
 •Parts with "• •" are component parts or sub-assembly with "-" appearing immediately above them.



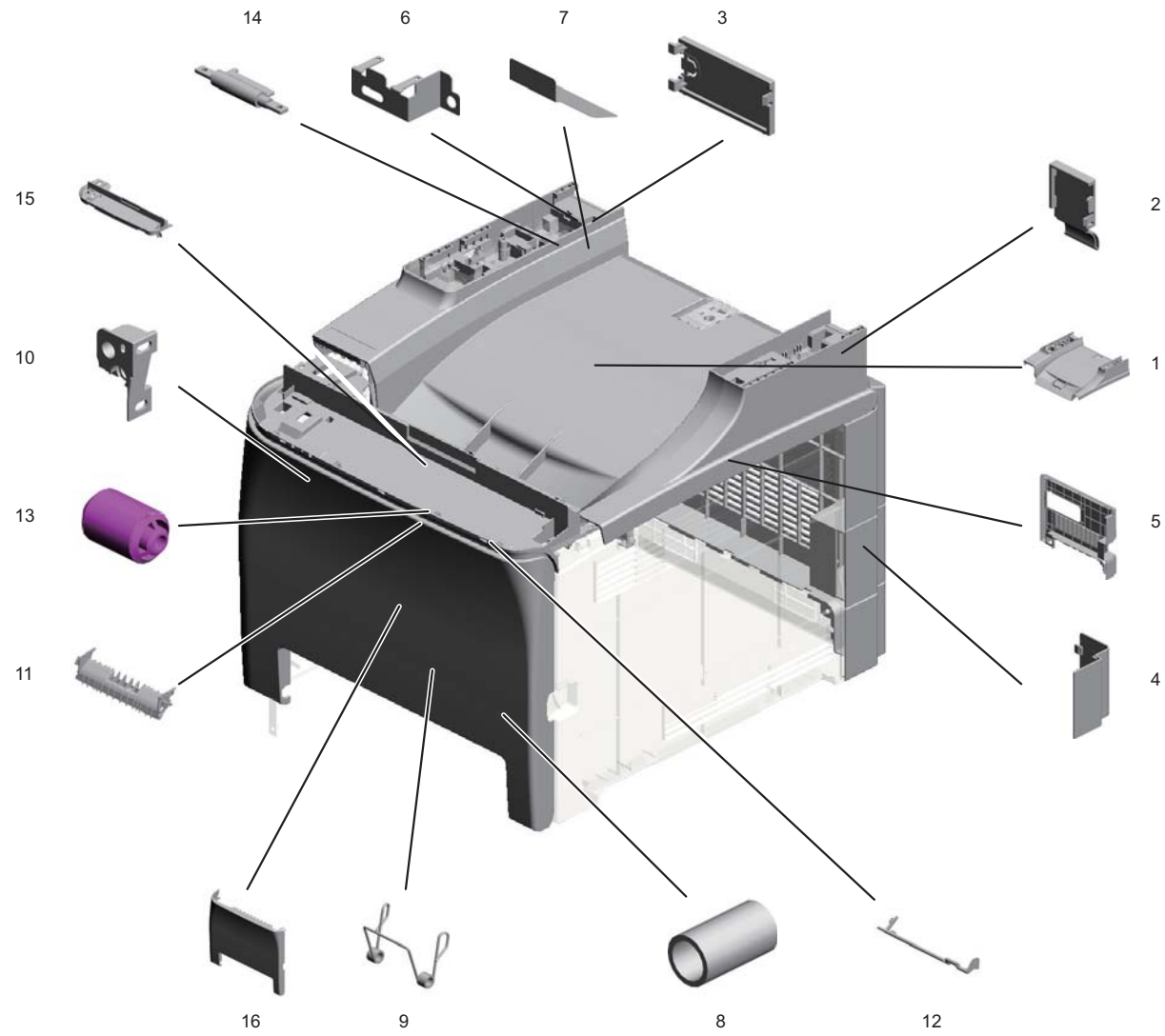


FIG. 4 Exterior Section 4

Ref. No.	Part.No.	Alternative.	Description	Notes	Quantity	
					230	240
1	305JK72650	5JK72650	UPPER COVER		1	1
2	305JK72660	5JK72660	RIGHT HARNESS COVER -SCANNER		1	1
3	305JK72670	5JK72670	LEFT HARNESS COVER - SCANNER		1	1
4	305JK72690	5JK72690	COVER - INTERFACE		1	1
5	305JK72700	5JK72700	REAR COVER - EU		1	1
6	305JK73180	5JK73180	LEFT GROUND PLATE - SCANNER		1	1
7	305JK73900	5JK73900	SHEET:COVER:HARNESS:ADF		1	1
8	305JK71600	5JK71600	COMPRESSION SPRING:HOUSING:TRANSPORT		2	2
9	305J370260	5J370260	SPRING:PRESSURE:DUPLX		2	2
10	305J370310	5J370310	HOLDER:GUIDE PLATE:REVERSE		1	1
11	305J370320	5J370320	GUIDE PLATE:EXIT:MIDDLE		1	1
⊙ 12	305J370330	5J370330	FEELER:PAPER FEED SENSOR		1	1
13	305J370340	5J370340	ROLLER:GUIDE:EXIT:MIDDLE		1	1
14	305J370570	5J370570	HINGE:TORQUE LIMITER		1	1
15	305J370600	5J370600	COVER:PAPER EXIT SUB-UNIT:M100:PIP-MF3		1	1
⊙ 16	305J370630	5J370630	COVER:FRONT		1	1

•Parts with "⊙" indicate regular maintenance parts.  
 •Parts with Ref.No. indicate maintenance parts and the ones without it indicate out of the above.

•Parts with "-" are component parts or sub-assemblies of the assembly appearing immediately above them.  
 •Parts with "• •" are component parts or sub-assembly with "-" appearing immediately above them.

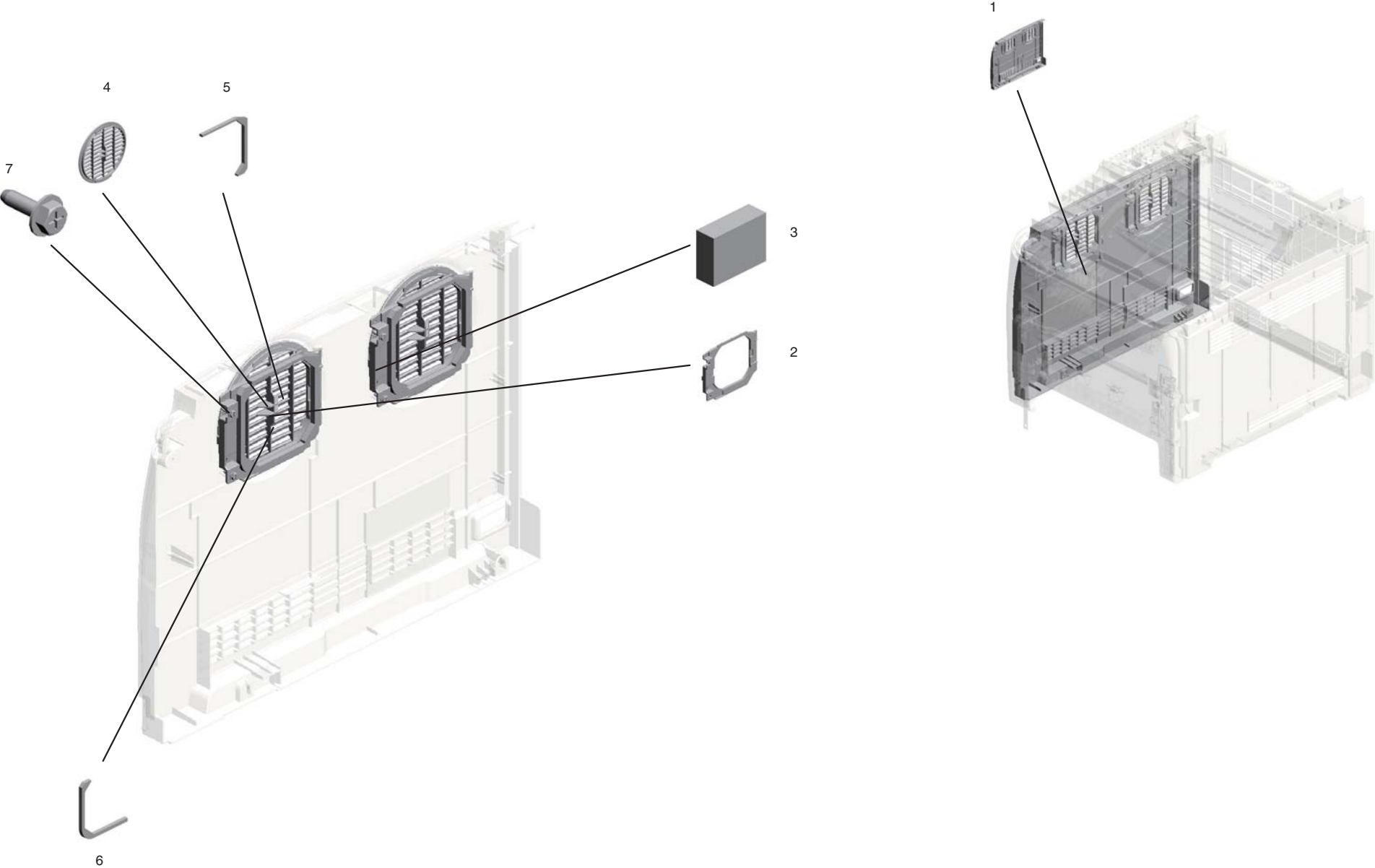


FIG. 5 Exterior Section 5

5J3

Ref. No.	Part.No.	Alternative.	Description	Notes	Quantity	
					230	240
⊙ 1	305J370280	5J370280	COVER:LEFT:ASS'Y		1	1
2	305J370210	5J370210	GUIDE:LOUVER		2	2
3	305J370220	5J370220	SEAL:STOPPER:LOUVER		2	2
4	305J370230	5J370230	LOUVER		2	2
5	305J370240	5J370240	SEAL:GUIDE:LOUVER:UPPER		2	2
6	305J370250	5J370250	SEAL:GUIDE:LOUVER:LOWER		2	2
7	305H772000	5H772000	TAPPING SCREW - M3X10		4	4

•Parts with "⊙" indicate regular maintenance parts.  
 •Parts with Ref.No. indicate maintenance parts and the ones without it indicate out of the above.

•Parts with "-" are component parts or sub-assemblies of the assembly appearing immediately above them.  
 •Parts with "•" are component parts or sub-assembly with "-" appearing immediately above them.

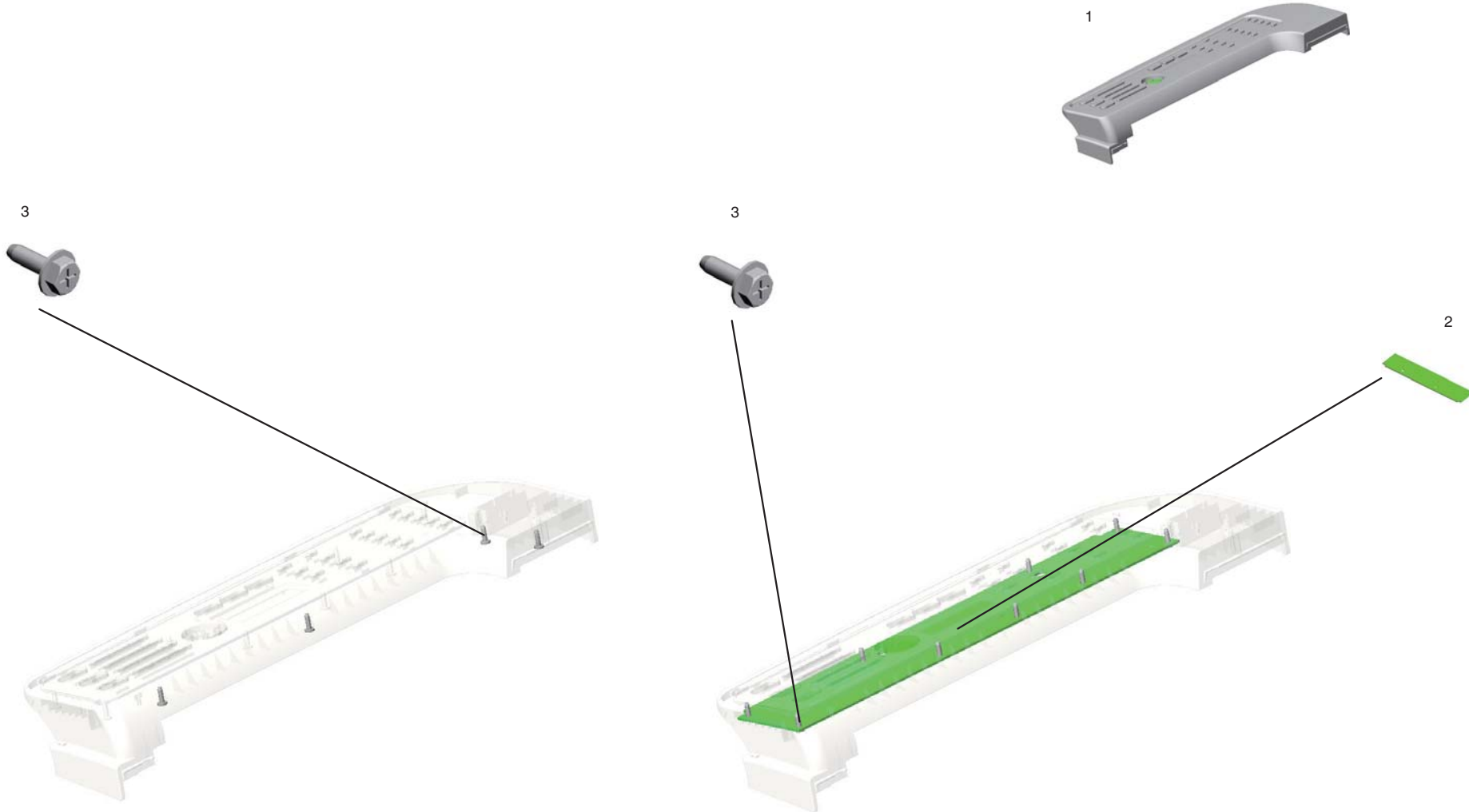


FIG. 6 Operation Section

5J3

	Ref. No.	Part.No.	Alternative.	Description	Notes	Quantity	
						230	240
⊙	1	305J370690	5J370690	OPERATION PANEL:EU:M100:ASS'Y		1	
⊙	1	305J370700	5J370700	OPERATION PANEL:AUS:M100:ASS'Y			1
⊙	2	305J370620	5J370620	PCB:OPU		1	1
	3	305H772000	5H772000	TAPPING SCREW - M3X10		13	13

•Parts with "⊙" indicate regular maintenance parts.  
 •Parts with Ref.No. indicate maintenance parts and the ones without it indicate out of the above.

•Parts with "-" are component parts or sub-assemblies of the assembly appearing immediately above them.  
 •Parts with "• •" are component parts or sub-assembly with "-" appearing immediately above them.

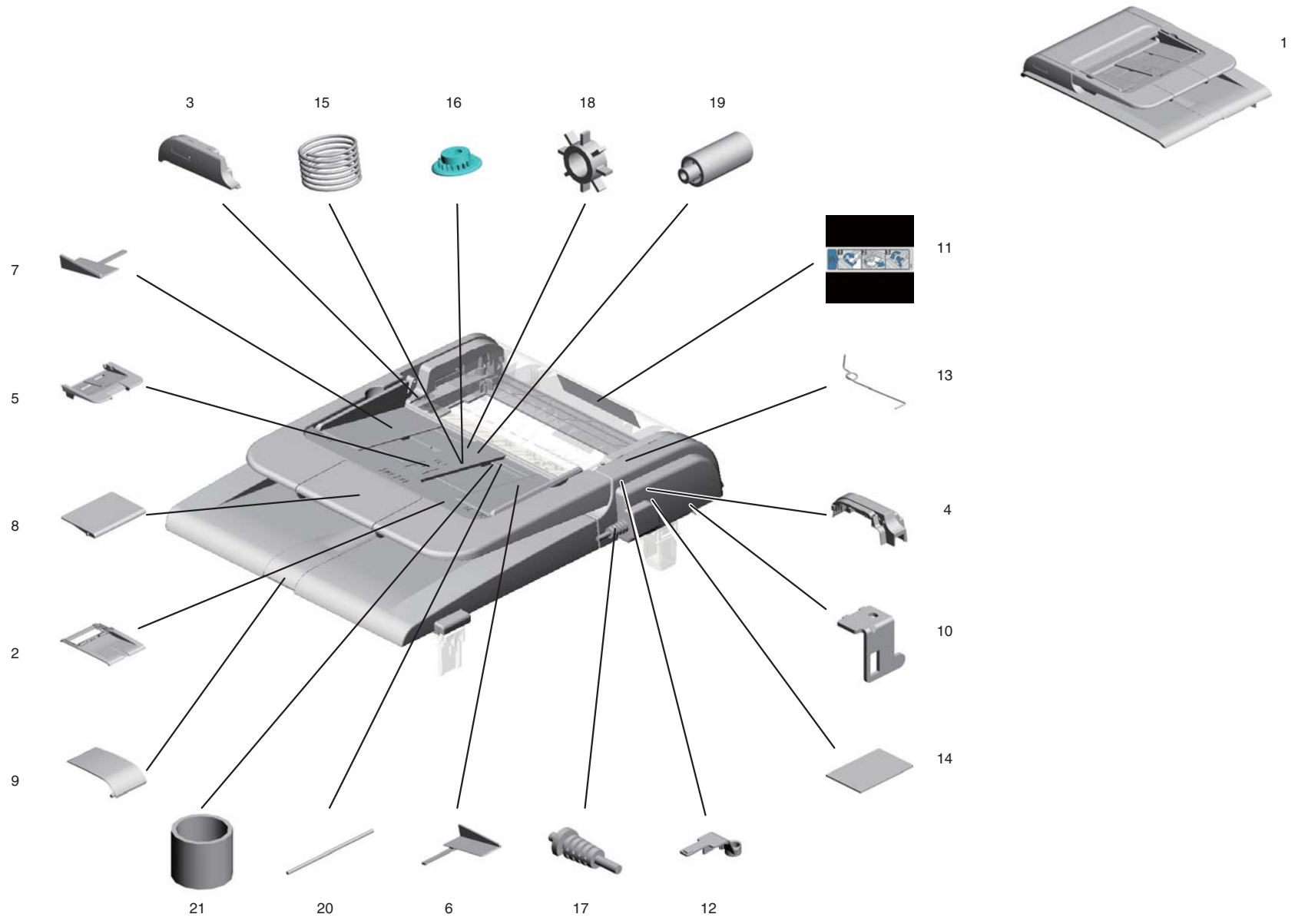


FIG. 7 DP Section 1

Ref. No.	Part.No.	Alternative.	Description	Notes	Quantity	
					230	240
⊙ 1	305JK72800	5JK72800	ADF:ASS'Y		1	1
2	305JK72810	5JK72810	FRAME:ADF		1	1
3	305JK72820	5JK72820	COVER:FRONT:ADF		1	1
4	305JK72830	5JK72830	COVER:REAR:ADF		1	1
5	305JK72840	5JK72840	BASE:SLIDER		1	1
6	305JK72850	5JK72850	SIDE FENCE:RIGHT		1	1
7	305JK72860	5JK72860	SIDE FENCE:LEFT		1	1
8	305JK72870	5JK72870	EXTENSION TRAY:ADF		1	1
9	305JK72880	5JK72880	PAPER STOPPER:ADF		1	1
10	305JK73070	5JK73070	HOOK:ADF		1	1
11	305JK73140	5JK73140	ADF DECAL - PICK-UP PAPER JAM		1	1
12	305JK73230	5JK73230	ARM:SENSOR		1	1
13	305JK73240	5JK73240	COIL SPRING:ARM:SENSOR		1	1
14	305JK73250	5JK73250	SHEET:ADF:KILO		4	4
15	305JK73260	5JK73260	COIL SPRING:GEAR:SLIDE		1	1
16	305JK73270	5JK73270	GEAR:SLIDE		1	1
17	305JK73280	5JK73280	CABLE:ADF		1	1
18	305JK73290	5JK73290	PADDLE:ROLLER:EXIT		2	2
19	305JK73300	5JK73300	DRIVEN ROLLER:EXIT		2	2
20	305JK73310	5JK73310	SHAFT:DRIVEN ROLLER:EXIT		1	1
21	305JK73320	5JK73320	COIL SPRING:EXIT		2	2

•Parts with "⊙" indicate regular maintenance parts.  
 •Parts with Ref.No. indicate maintenance parts and the ones without it indicate out of the above.

•Parts with "-" are component parts or sub-assemblies of the assembly appearing immediately above them.  
 •Parts with "• •" are component parts or sub-assembly with "•" appearing immediately above them.



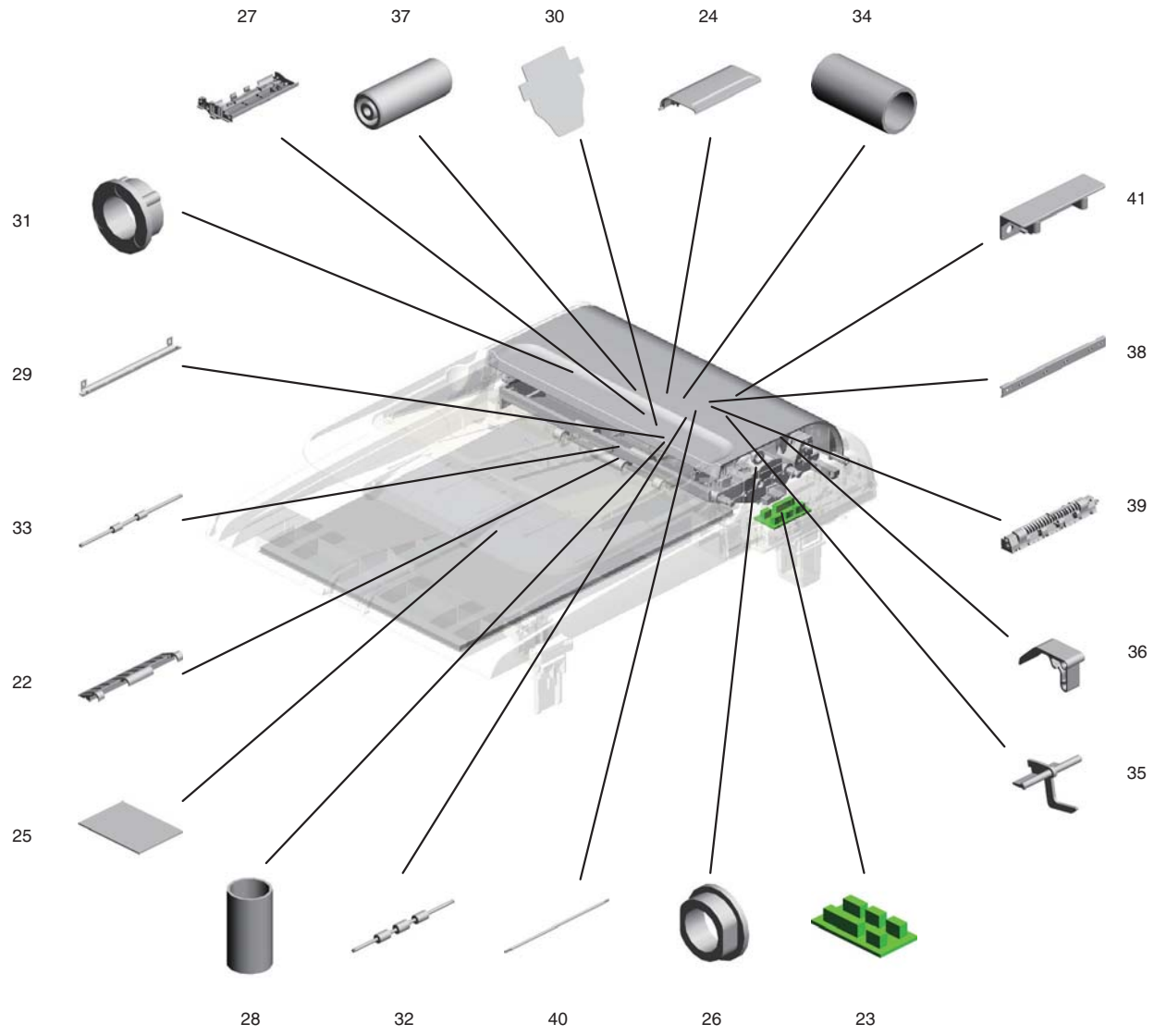


FIG. 8 DP Section 2

Ref. No.	Part.No.	Alternative.	Description	Notes	Quantity	
					230	240
22	305JK73330	5JK73330	COVER:EXIT		1	1
23	305JK73340	5JK73340	PCB:DIP:ADF		1	1
24	305JK73350	5JK73350	COVER:ADF		1	1
25	305JK73360	5JK73360	SHEET:PRESSURE PLATE		1	1
26	305JK73370	5JK73370	FLANGE:BUSHING:GEAR		1	1
27	305JK73380	5JK73380	FRAME:LOWER		1	1
28	305JK73400	5JK73400	COIL SPRING:PLATE		1	1
29	305JK73410	5JK73410	PLATE		1	1
30	305JK73420	5JK73420	SHEET:GUIDE		2	2
31	305JK73430	5JK73430	FLANGE:BUSHING		4	4
32	305JK73440	5JK73440	FEED ROLLER:ADF		1	1
33	305JK73450	5JK73450	EXIT ROLLER:ADF		1	1
34	305JK73460	5JK73460	COIL SPRING:FEED ROLLER:DRIVEN		4	4
35	305JK73470	5JK73470	FEELER:SENSOR:FEED		1	1
36	305JK73480	5JK73480	ARM:PRESSURE RELEASE		2	2
37	305JK73490	5JK73490	DRIVEN ROLLER:FEED		3	3
38	305JK73500	5JK73500	STAY:FEED		1	1
39	305JK73510	5JK73510	GUIDE:FEED:DRIVEN		1	1
40	305JK73520	5JK73520	SHAFT:DRIVEN ROLLER:FEED		1	1
41	305JK73530	5JK73530	FIX STAND:SENSOR:FEED		1	1

•Parts with "⊙" indicate regular maintenance parts.  
 •Parts with Ref.No. indicate maintenance parts and the ones without it indicate out of the above.

•Parts with "-" are component parts or sub-assemblies of the assembly appearing immediately above them.  
 •Parts with "• •" are component parts or sub-assembly with "-" appearing immediately above them.

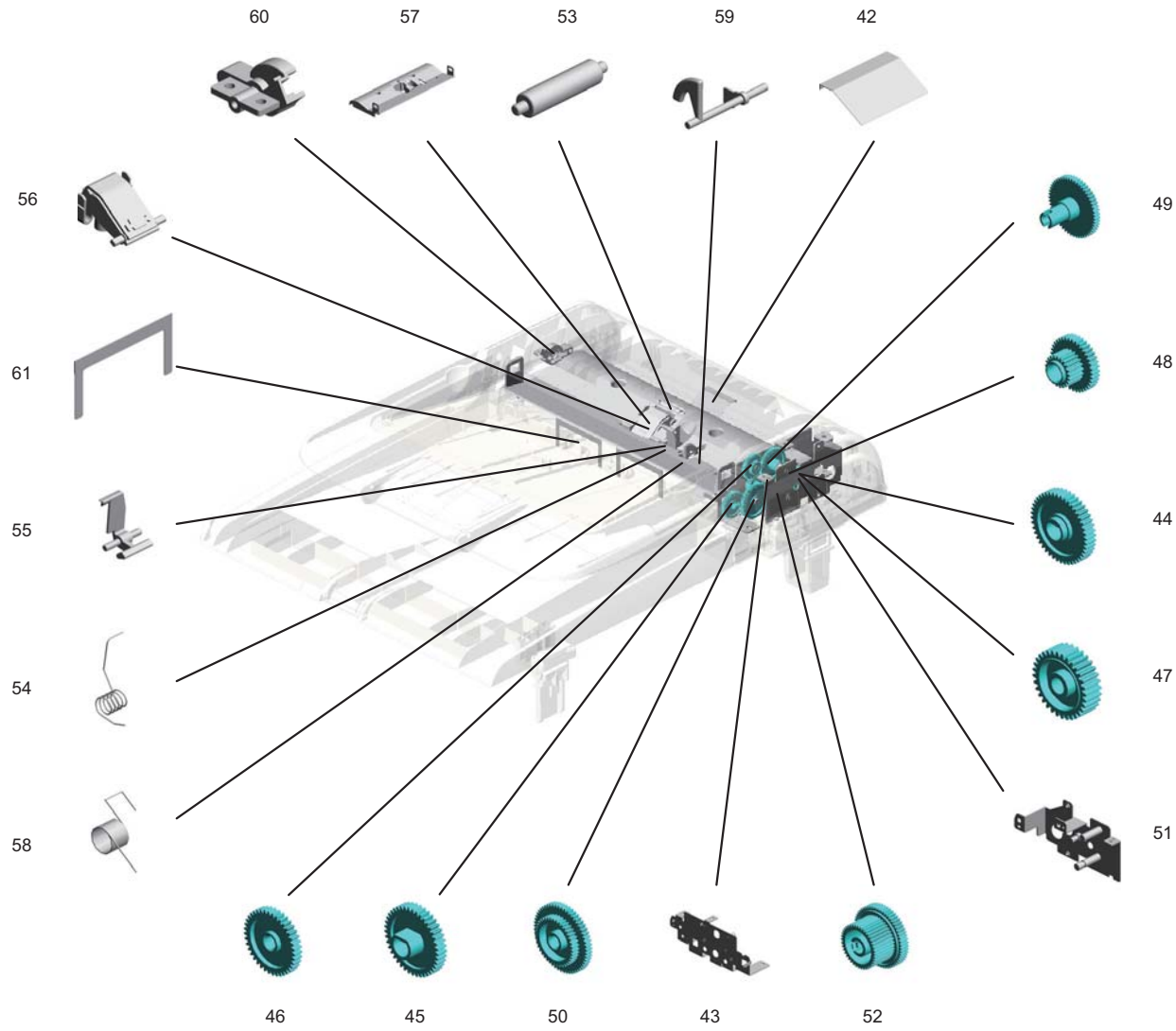


FIG. 9 DP Section 3

Ref. No.	Part.No.	Alternative.	Description	Notes	Quantity	
					230	240
42	305JK73550	5JK73550	SHEET:FEELER:FEED		1	1
43	305JK73560	5JK73560	PLATE:REAR		1	1
44	305JK73570	5JK73570	GEAR:FEED:44T		1	1
45	305JK73580	5JK73580	GEAR:EXIT:41T		1	1
46	305JK73590	5JK73590	GEAR:20T39T		1	1
47	305JK73600	5JK73600	GEAR:MIDDLE:32T		2	2
48	305JK73610	5JK73610	GEAR:21T37T		1	1
49	305JK73620	5JK73620	GEAR:51T		1	1
50	305JK73630	5JK73630	GEAR:DRIVE:39T55T		1	1
51	305JK73640	5JK73640	PLATE:MOTOR		1	1
52	305JK73650	5JK73650	GEAR:DRIVE:40T56T		1	1
53	305JK73670	5JK73670	ROLLER:BACK UP:FEED		1	1
54	305JK73680	5JK73680	COIL SPRING:SHUTTER:PAPER		1	1
55	305JK73690	5JK73690	SHUTTER:PAPER		1	1
⊙ 56	305JK73700	5JK73700	SEPARATION PAD:ADF		1	1
57	305JK73710	5JK73710	FRAME:UPPER		1	1
58	305JK73720	5JK73720	COIL SPRING:FEELER:SET SENSOR		1	1
59	305JK73730	5JK73730	FEELER:SET SENSOR		1	1
60	305JK73740	5JK73740	HOLDER:SEPARATION UNIT		1	1
61	305JK73750	5JK73750	SHEET:STOPPER:EXIT		2	2

•Parts with "⊙" indicate regular maintenance parts.  
 •Parts with Ref.No. indicate maintenance parts and the ones without it indicate out of the above.

•Parts with "-" are component parts or sub-assemblies of the assembly appearing immediately above them.  
 •Parts with "• •" are component parts or sub-assembly with "-" appearing immediately above them.

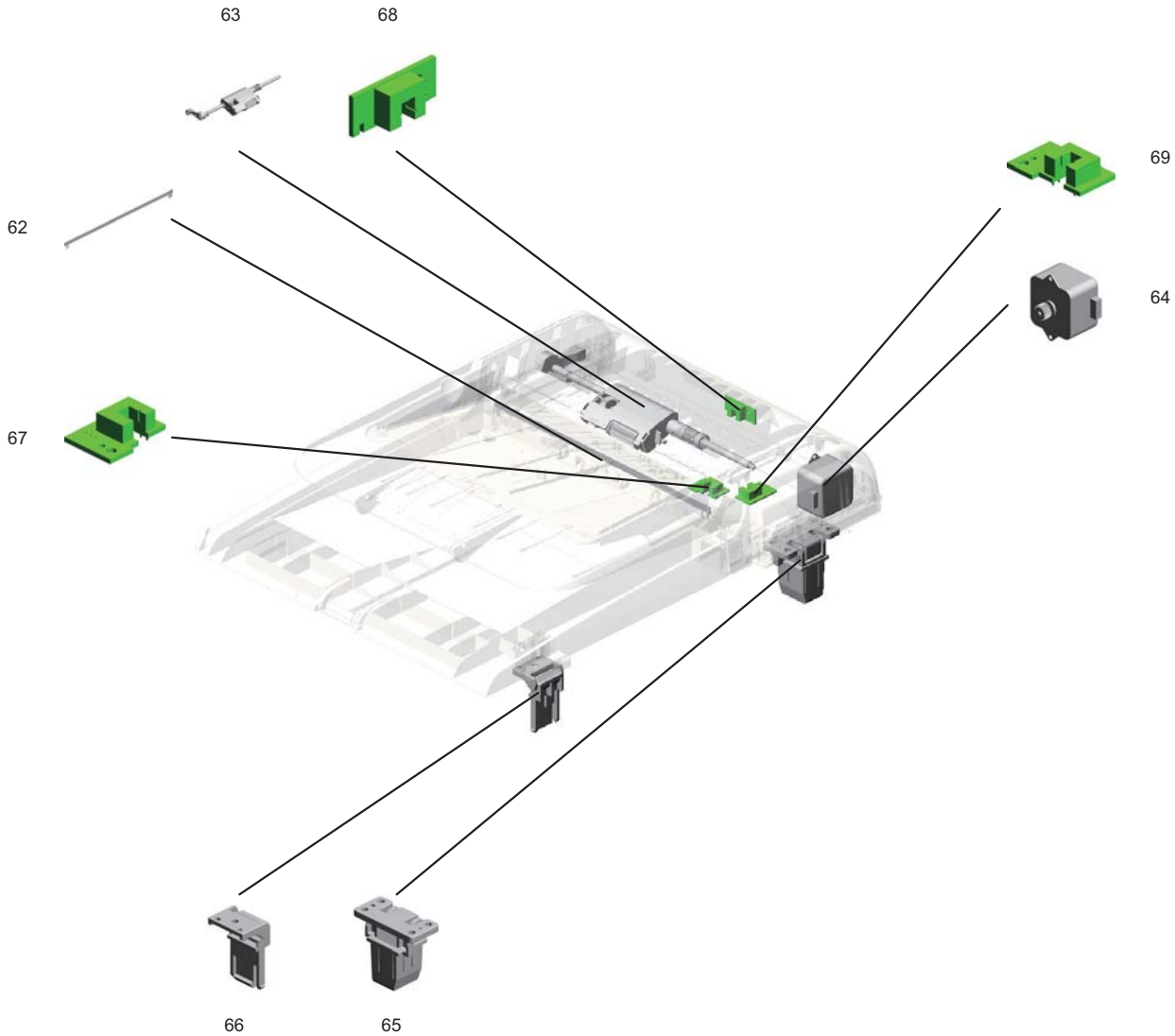


FIG. 10 DP Section 4

Ref. No.	Part.No.	Alternative.	Description	Notes	Quantity	
					230	240
62	305JK73760	5JK73760	DISCHARGE BRUSH:EXIT		1	1
⊙ 63	305JK73770	5JK73770	SEPARATION UNIT:ADF		1	1
⊙ 64	305JK73780	5JK73780	DC STEPPER MOTOR		1	1
65	305JK73790	5JK73790	HINGE:LEFT		1	1
66	305JK73800	5JK73800	HINGE:RIGHT		1	1
⊙ 67	305JK73390	5JK73390	PCB:DIP:SET SENSOR		1	1
⊙ 68	305JK73540	5JK73540	PCB:DIP:FEED		1	1
⊙ 69	305JK73660	5JK73660	PCB:DIP:ON OFF DETECTOR		1	1

•Parts with "⊙" indicate regular maintenance parts.  
 •Parts with Ref.No. indicate maintenance parts and the ones without it indicate out of the above.

•Parts with "•" are component parts or sub-assemblies of the assembly appearing immediately above them.  
 •Parts with "• •" are component parts or sub-assembly with "•" appearing immediately above them.

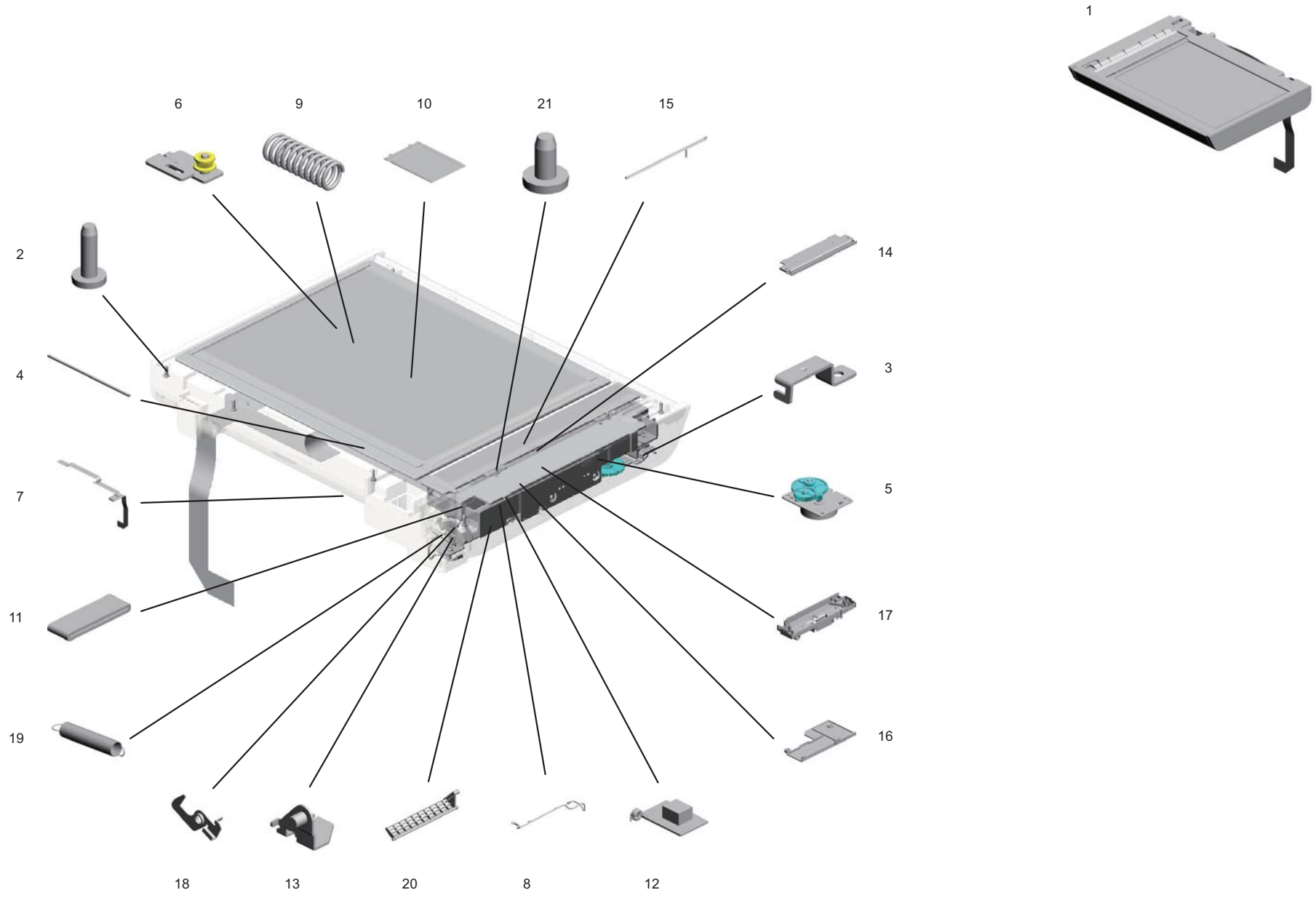


FIG. 11 Scanner Section 1

5J3

Ref. No.	Part.No.	Alternative.	Description	Notes	Quantity	
					230	240
⊙ 1	305JK74541	5JK74541	SCANNER:ASS'Y		1	1
2	305HM11491	5HM11491	TAPPING SCREW - M3X10		10	10
3	305JK72890	5JK72890	PLATE:GUIDE ROD:SCANNER		1	1
4	305JK72900	5JK72900	SLIDE RAIL:CARRIAGE		1	1
5	305JK72910	5JK72910	GEAR:SCANNER:ASS'Y		1	1
6	305JK72920	5JK72920	PULLEY:CARRIAGE:ASS'Y		1	1
7	305JK72930	5JK72930	FLAT CABLE:CARRIAGE		1	1
8	305JK72940	5JK72940	WIRE:GROUND WIRE:PLATE:MOTOR		1	1
9	305JK72950	5JK72950	COIL SPRING:PULLEY:CARRIAGE		1	1
10	305JK72960	5JK72960	CASE:SCANNER:UPPER		1	1
11	305JK72970	5JK72970	CORE:EMI:CARRIAGE		1	1
⊙ 12	305JK72980	5JK72980	INVERTOR:CARRIAGE		1	1
13	305JK72990	5JK72990	BRACKET:HOOK:PLATEN:PEEN		1	1
14	305JK73000	5JK73000	COVER:CARRIAGE:UPPER		1	1
15	305JK73010	5JK73010	FLUORESCENT TUBE:CARRIAGE		1	1
16	305JK73030	5JK73030	COVER:INVERTOR		1	1
⊙ 17	305JK73020	5JK73020	CCD:MODULE:ASS'Y		1	1
18	305JK73040	5JK73040	HOOK:PLATEN		1	1
19	305JK73050	5JK73050	TENSION SPRING:HOOK:PLATEN		1	1
20	305JK73060	5JK73060	LEVER:HOOK:PLATEN		1	1
21	305JH70410	5JH70410	BINDING SELF-TAPPING SCREW:3X6		2	2

•Parts with "⊙" indicate regular maintenance parts.  
 •Parts with Ref.No. indicate maintenance parts and the ones without it indicate out of the above.

•Parts with "-" are component parts or sub-assemblies of the assembly appearing immediately above them.  
 •Parts with "• •" are component parts or sub-assembly with "-" appearing immediately above them.



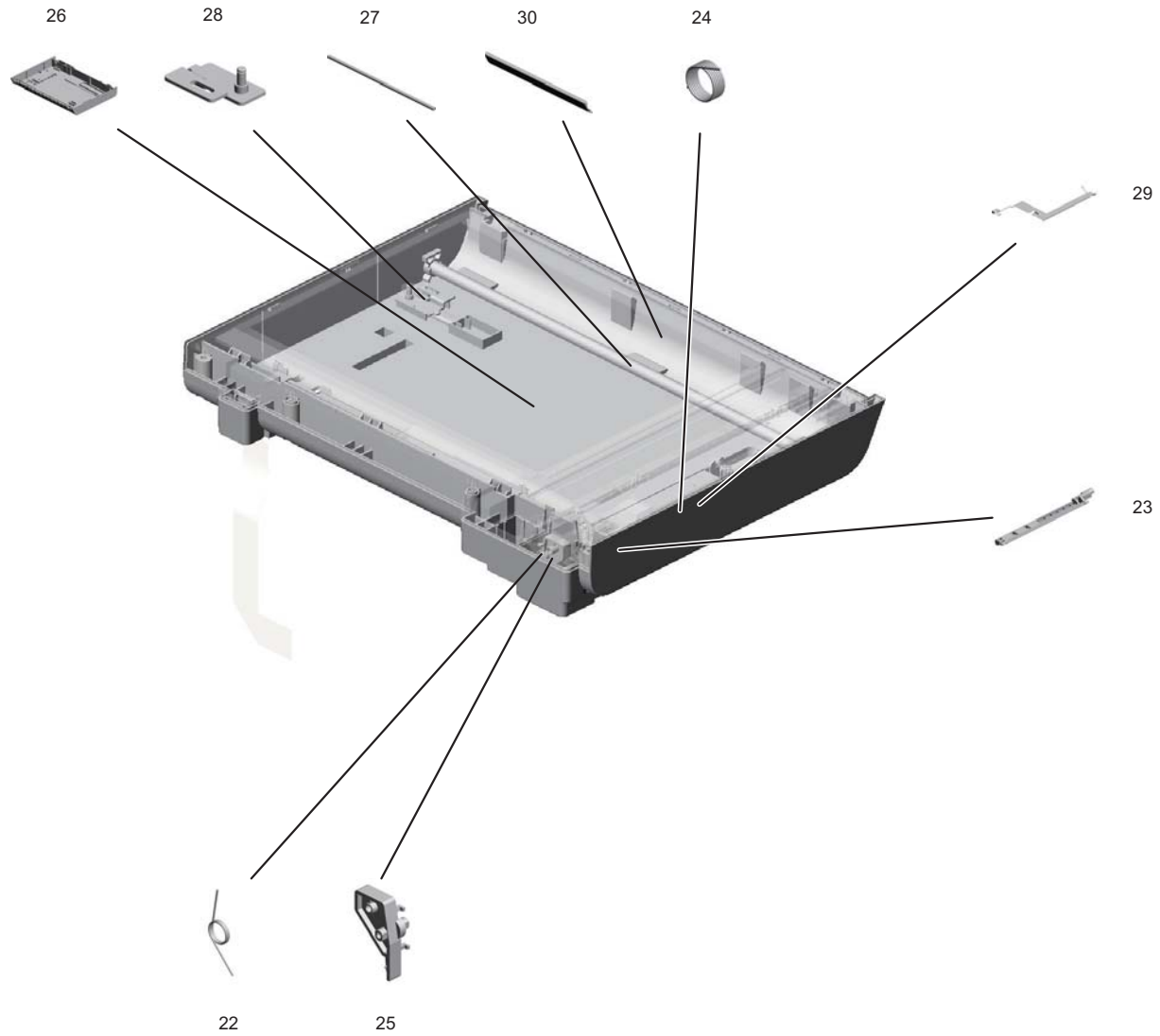


FIG. 12 Scanner Section 2

5J3

Ref. No.	Part.No.	Alternative.	Description	Notes	Quantity	
					230	240
22	305JK73090	5JK73090	TORSION SPRING:LEVER:LOCK:COVER:UPPER		1	1
23	305JK73100	5JK73100	PLATE:COVER:UPPER		1	1
24	305JK73110	5JK73110	TORSION SPRING:LOCK:COVER:UPPER		1	1
25	305JK73080	5JK73080	LEVER:LOCK:COVER:UPPER		1	1
26	305JK73130	5JK73130	CASE:SCANNER:LOWER		1	1
27	305JK73150	5JK73150	GUIDE ROD:SCANNER		1	1
28	305JK73160	5JK73160	PLATE:STUD:IDLER		1	1
29	305JK73170	5JK73170	GROUND PLATE:SCANNER:LEFT		1	1
30	305JK74550	5JK74550	COVER:SCANNER:FRONT:2		1	1

•Parts with "⊙" indicate regular maintenance parts.  
 •Parts with Ref.No. indicate maintenance parts and the ones without it indicate out of the above.

•Parts with "-" are component parts or sub-assemblies of the assembly appearing immediately above them.  
 •Parts with "• •" are component parts or sub-assembly with "-" appearing immediately above them.

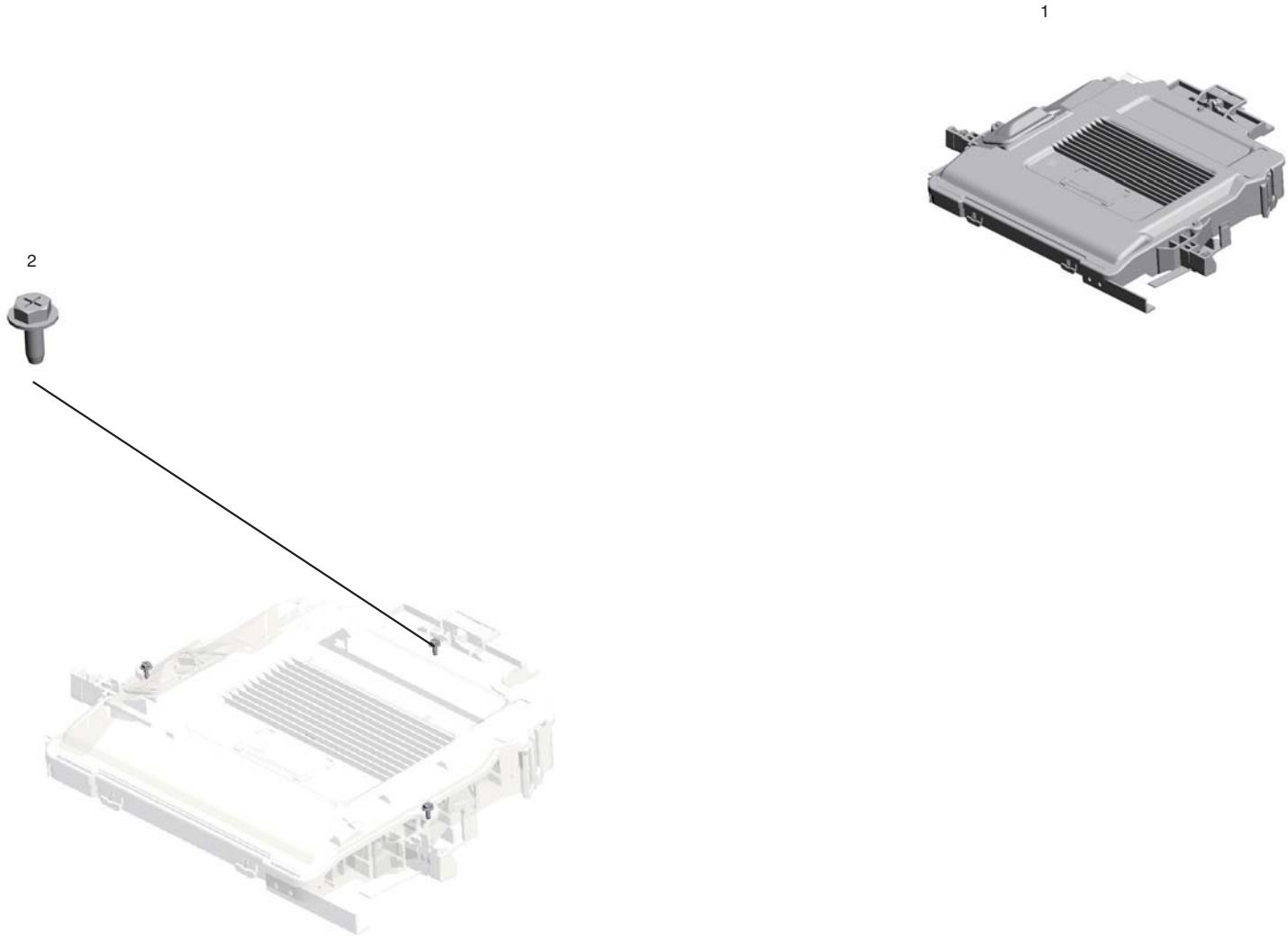


FIG. 13 Laser Scanner Section

5J3

	Ref. No.	Part.No.	Alternative.	Description	Notes	Quantity	
						230	240
⊙	1	305J370270	5J370270	IMAGING UNIT:ASS'Y		1	1
	2	3038407031	38407031	TAPPING SCREW - M3X8		3	3

•Parts with "⊙" indicate regular maintenance parts.  
 •Parts with Ref.No. indicate maintenance parts and the ones without it indicate out of the above.

•Parts with "•" are component parts or sub-assemblies of the assembly appearing immediately above them.  
 •Parts with "••" are component parts or sub-assembly with "•" appearing immediately above them.

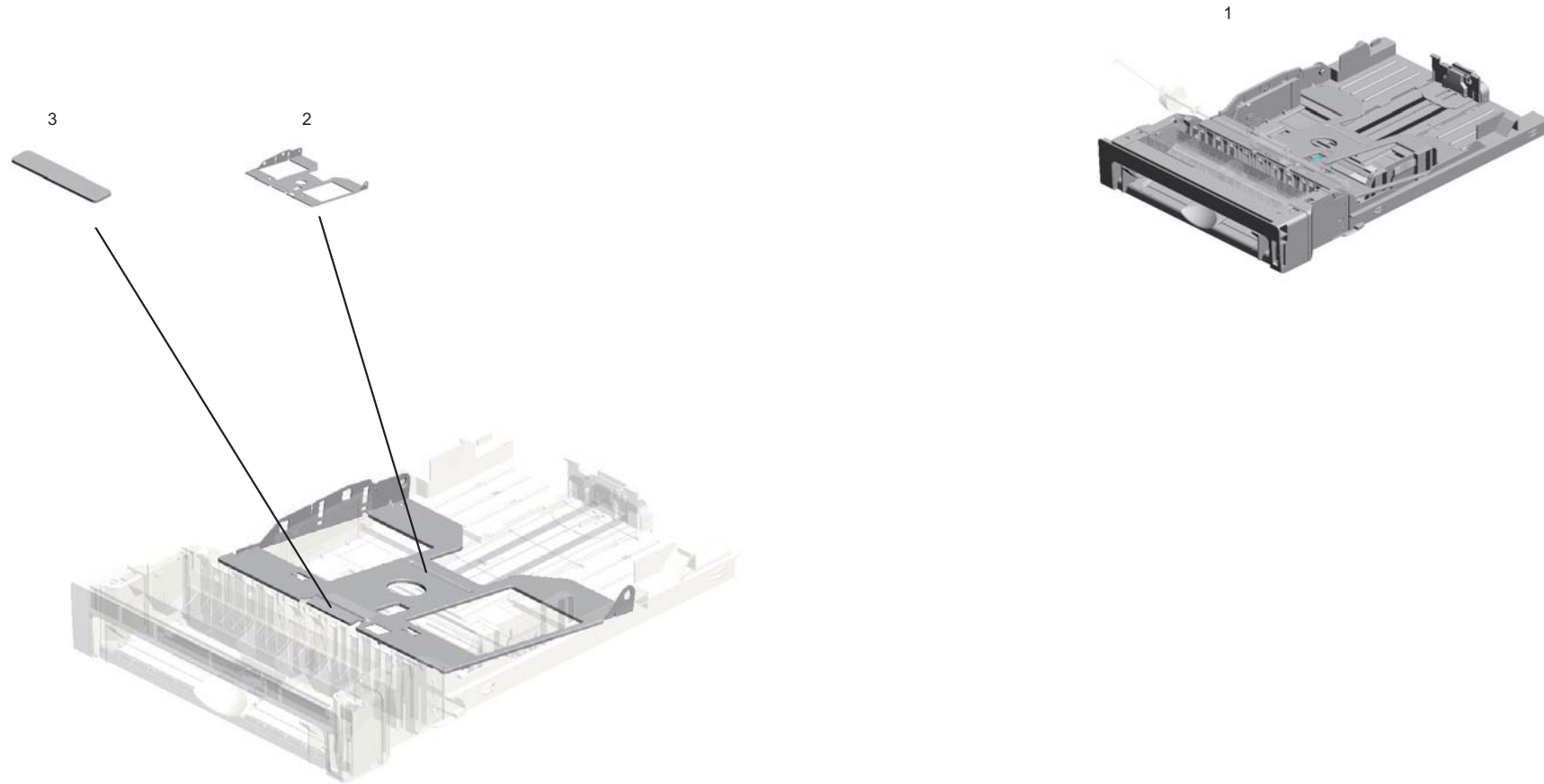


FIG. 14 Paper Tray Section 1

5J3

	Ref. No.	Part.No.	Alternative.	Description	Notes	Quantity	
						230	240
⊙	1	305J370290	5J370290	PAPER TRAY:ASS'Y		1	1
	2	305JK74570	5JK74570	BASE:ADHESION		1	1
⊙	3	38407410	38407410	BOTTOM PLATE PAD		1	1

•Parts with "⊙" indicate regular maintenance parts.  
 •Parts with Ref.No. indicate maintenance parts and the ones without it indicate out of the above.

•Parts with "•" are component parts or sub-assemblies of the assembly appearing immediately above them.  
 •Parts with "••" are component parts or sub-assembly with "•" appearing immediately above them.

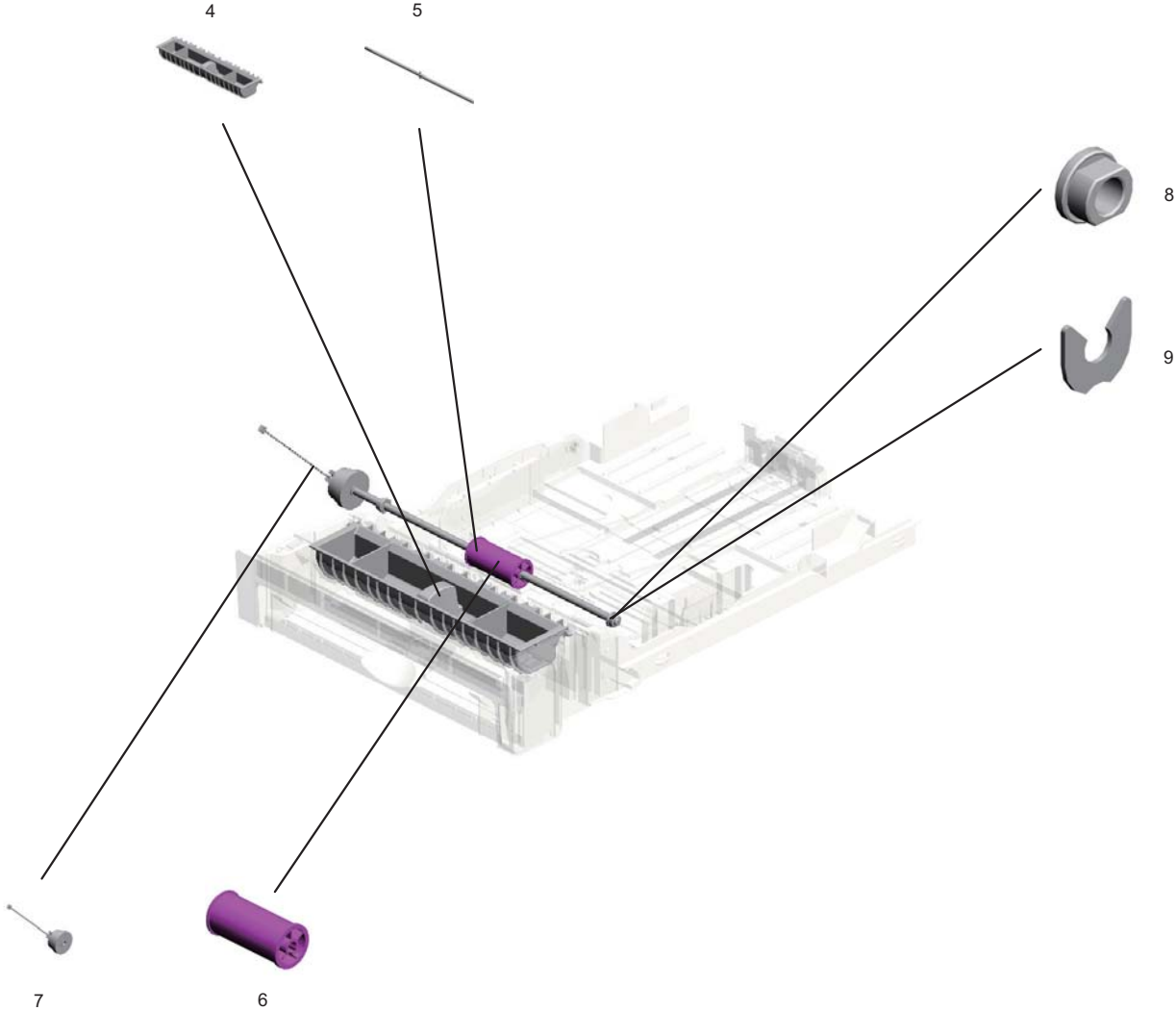


FIG. 15 Paper Tray Section 2

5J3

Ref. No.	Part.No.	Alternative.	Description	Notes	Quantity	
					230	240
4	305JK70910	5JK70910	DUPLEX GUIDE		1	1
5	305JK71070	5JK71070	SHAFT - PAPER FEED ROLLER		1	1
6	305JK70160	5JK70160	PAPER FEED ROLLER		1	1
7	305J370140	5J370140	MAGNETIC CLUTCH:0.25N		1	1
8	5HM40130	5HM40130	BUSHING - 6X10X6		2	2
9	305JH74060	5JH74060	RETAINING RING - M4		3	3

•Parts with "⊙" indicate regular maintenance parts.  
 •Parts with Ref.No. indicate maintenance parts and the ones without it indicate out of the above.

•Parts with "-" are component parts or sub-assemblies of the assembly appearing immediately above them.  
 •Parts with "• •" are component parts or sub-assembly with "-" appearing immediately above them.



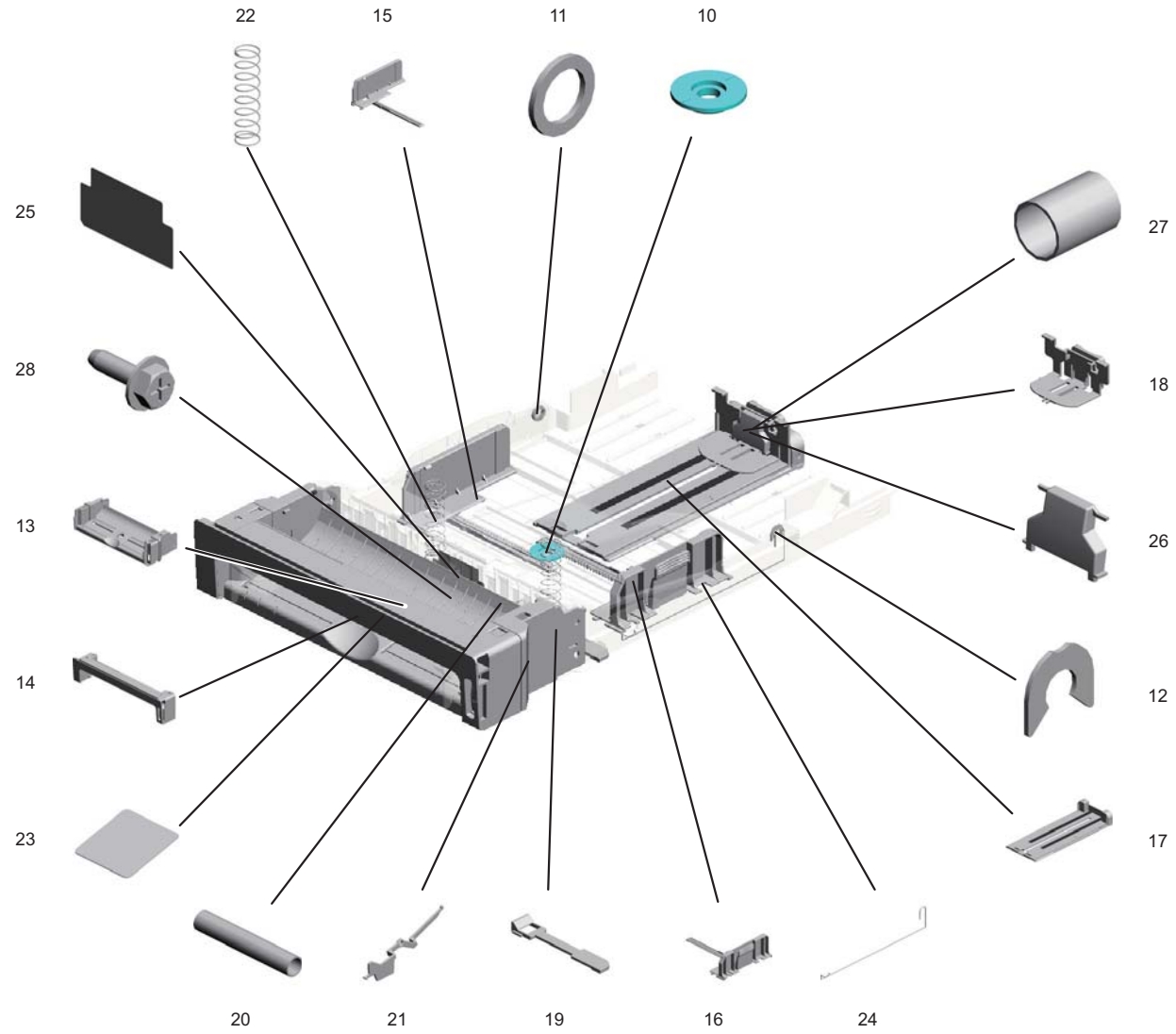


FIG. 16 Paper Tray Section 3

5J3

Ref. No.	Part.No.	Alternative.	Description	Notes	Quantity	
					230	240
⊙ 10	305JK70110	5JK70110	GEAR - 16Z		1	1
11	53115110	53115110	SPACER		1	1
12	53106430	53106430	E RING SILENCER CIRCLE6		1	1
13	305JK70890	5JK70890	PAPER TRAY - FRONT		1	1
⊙ 14	305JK70900	5JK70900	CASSETTE COVER		1	1
15	305JK70920	5JK70920	LEFT SIDE FENCE		1	1
16	305JK70930	5JK70930	RIGHT SIDE FENCE		1	1
17	305JK70940	5JK70940	EXTENSION TRAY		1	1
18	305JK70950	5JK70950	END FENCE		1	1
19	305JK70980	5JK70980	BOTTOM PLATE STOPPER		1	1
20	305JK70990	5JK70990	COMPRESSION SPRING		1	1
21	305JK71000	5JK71000	LEVER PAPER VOLUME SENSOR		1	1
22	305JK71010	5JK71010	COMPRESSION SPRING		2	2
23	305JK71020	5JK71020	SHEET - CASSETTE		1	1
24	305JK71030	5JK71030	EARTH SPRING		1	1
25	305JK71040	5JK71040	HOLDER SHEET		1	1
26	305JK71050	5JK71050	END FENCE - PRESSURE		1	1
27	305JK71060	5JK71060	COMPRESSION SPRING		1	1
28	305H772000	5H772000	TAPPING SCREW - M3X10		1	1

•Parts with "⊙" indicate regular maintenance parts.  
 •Parts with Ref.No. indicate maintenance parts and the ones without it indicate out of the above.

•Parts with "-" are component parts or sub-assemblies of the assembly appearing immediately above them.  
 •Parts with "• •" are component parts or sub-assembly with "-" appearing immediately above them.

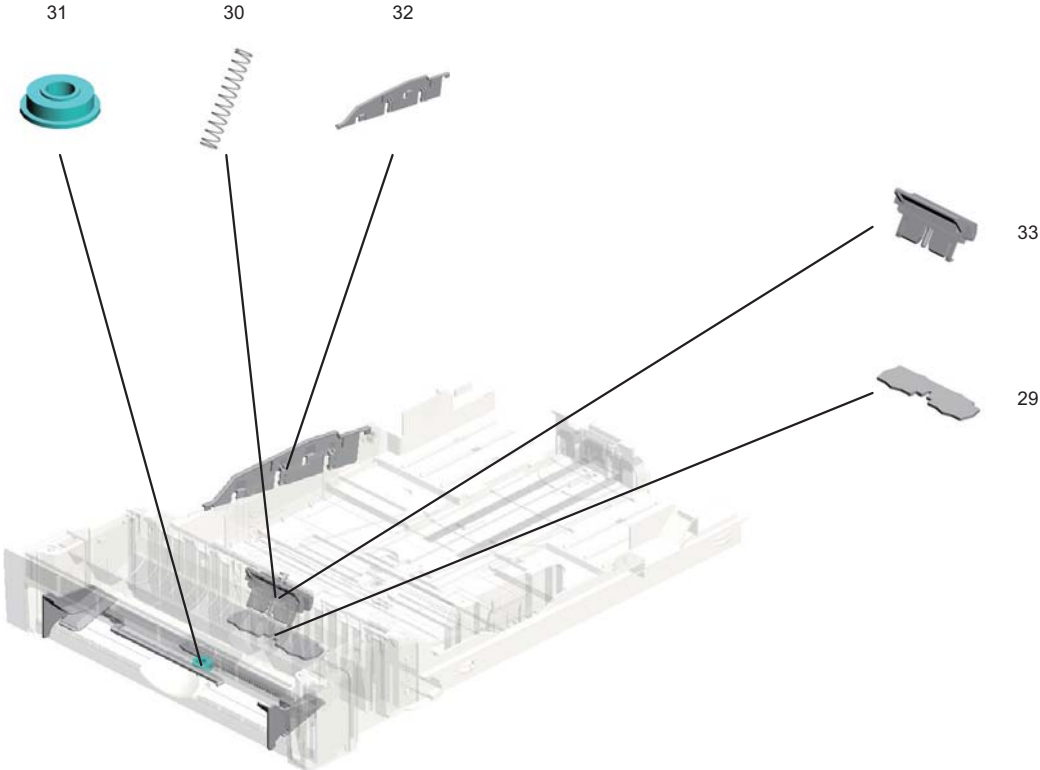


FIG. 17 Paper Tray Section 4

5J3

Ref. No.	Part.No.	Alternative.	Description	Notes	Quantity	
					230	240
29	305JK71130	5JK71130	DAMPING INSULATION		1	1
30	305JK71190	5JK71190	COMPRESSION SPRING		1	1
31	305JH77280	5JH77280	SIDE FENCE GEAR		1	1
32	305JK74580	5JK74580	COVER:BASE		1	1
⊙ 33	305JK71200	5JK71200	FRCTION PAD		1	1

•Parts with "⊙" indicate regular maintenance parts.  
 •Parts with Ref.No. indicate maintenance parts and the ones without it indicate out of the above.

•Parts with "." are component parts or sub-assemblies of the assembly appearing immediately above them.  
 •Parts with ". ." are component parts or sub-assembly with "." appearing immediately above them.

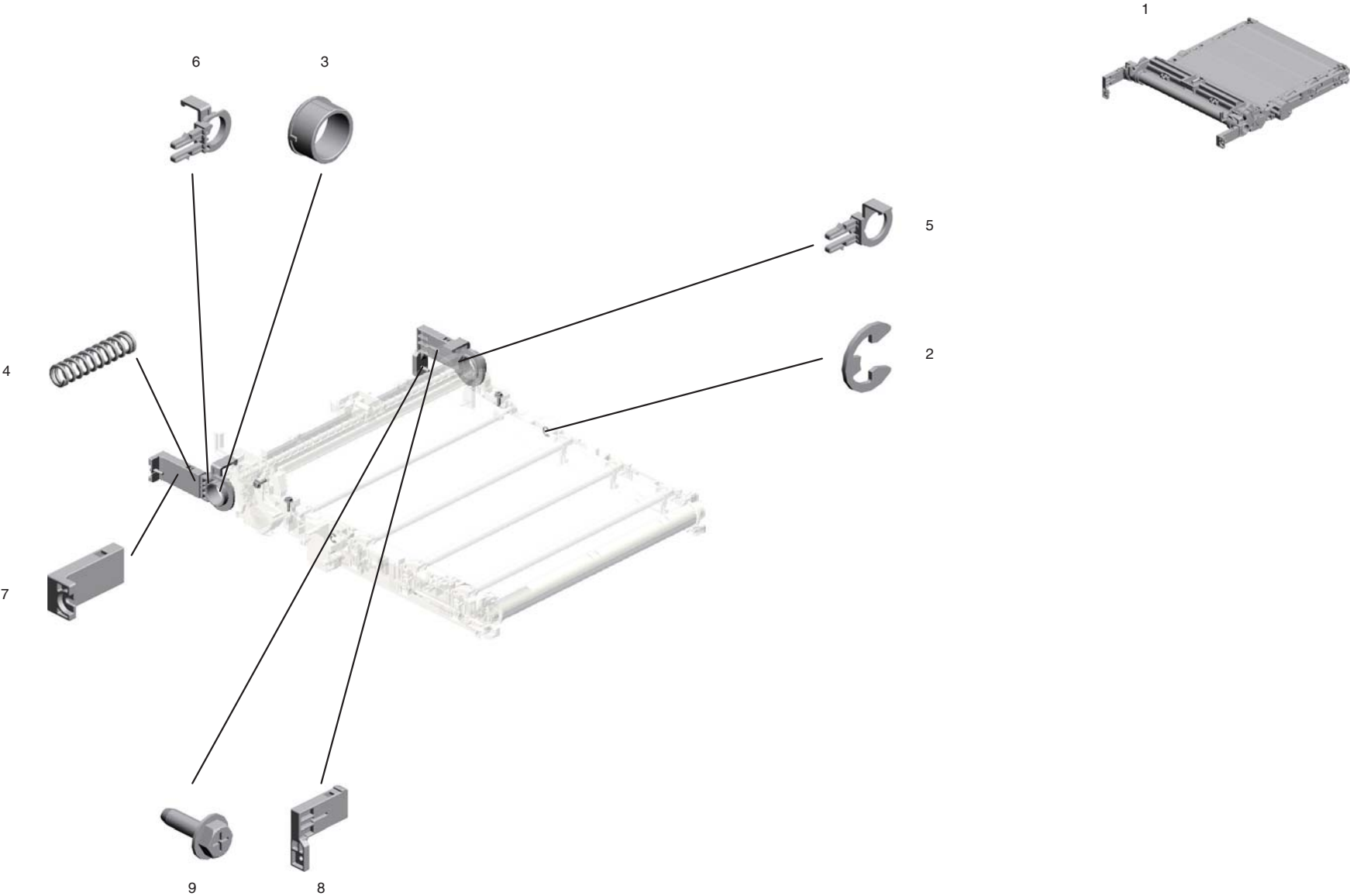


FIG. 18 Intermediate Transfer Section

5J3

Ref. No.	Part.No.	Alternative.	Description	Notes	Quantity	
					230	240
⊙ 1	305J370550	5J370550	INTERMEDIATE TRANSFER SECTION:ASS'Y		1	1
2	5HM40620	5HM40620	RETAINING RING - M4		2	2
3	305JK72200	5JK72200	BUSHING - 19MM		2	2
4	305JK72230	5JK72230	COMPRESSION SPRING		2	2
5	305JK72330	5JK72330	LEFT HOLDER - TRANSFER BELT UNIT		1	1
6	305JK72340	5JK72340	RIGHT HOLDER - TRANSFER BELT UNIT		1	1
7	305JK72350	5JK72350	RIGHT SLIDER - TRANSFER BELT UNIT		1	1
8	305JK72360	5JK72360	LEFT SLIDER - TRANSFER BELT UNIT		1	1
9	305H772000	5H772000	TAPPING SCREW - M3X10		5	5

•Parts with "⊙" indicate regular maintenance parts.  
 •Parts with Ref.No. indicate maintenance parts and the ones without indicate out of the above.

•Parts with "-" are component parts or sub-assemblies of the assembly appearing immediately above them.  
 •Parts with "• •" are component parts or sub-assembly with "-" appearing immediately above them.

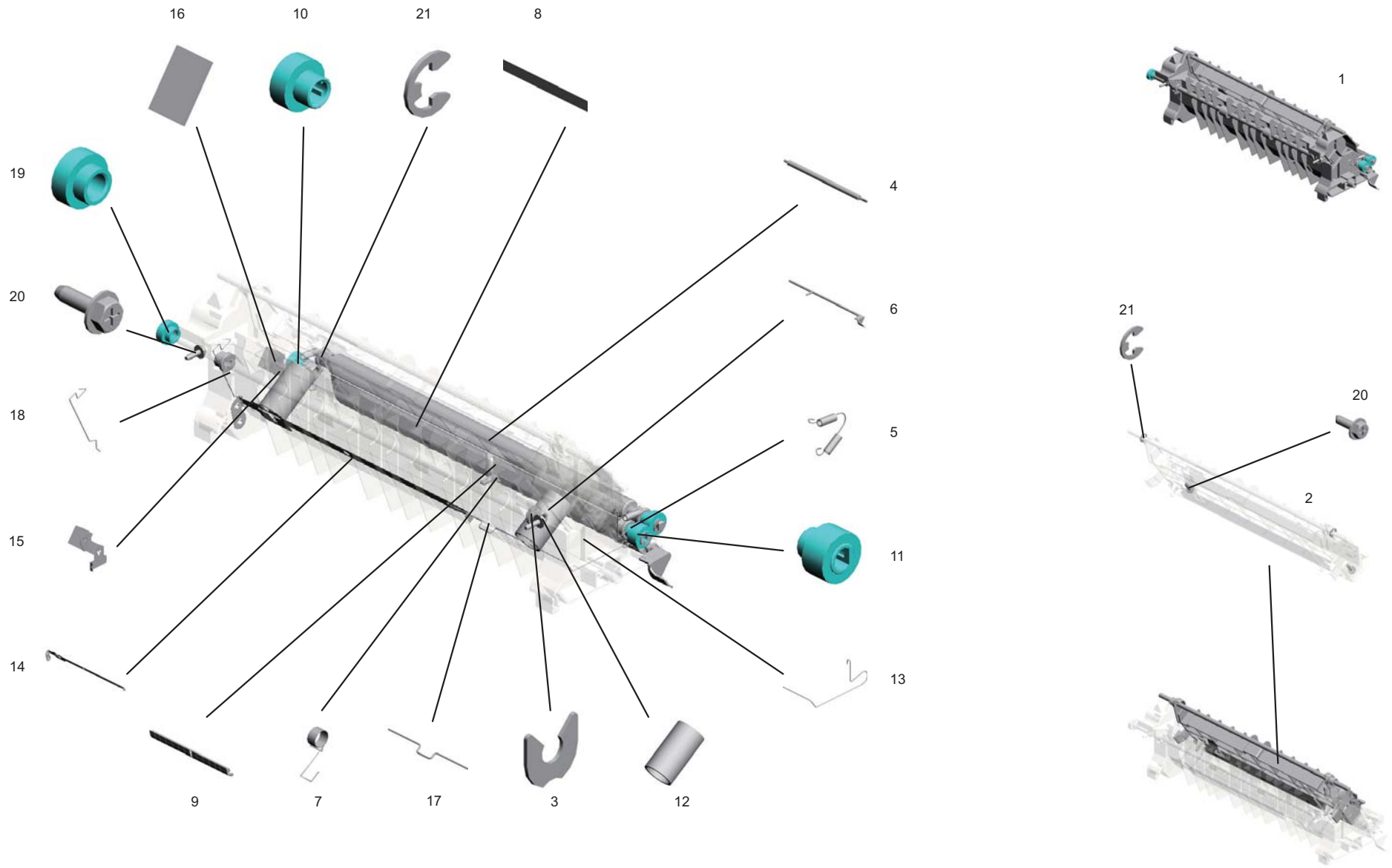


FIG. 19 Paper Transport Section 1

	Ref. No.	Part.No.	Alternative.	Description	Notes	Quantity	
						230	240
⊙	1	305J370300	5J370300	HOUSING:TRANSPORT SUB-UNIT:ASS'Y		1	1
⊙	2	305J370560	5J370560	TRANSFER ROLLER:SUB-ASS'Y		1	1
	3	305JH74060	5JH74060	RETAINING RING - M4		2	2
	4	305JK71240	5JK71240	REGISTRATION ROLLER - DRIVEN		1	1
	5	305JK71260	5JK71260	TENSION SPRING		2	2
	6	305JK71270	5JK71270	REGISTRATION SENSOR FEELER		1	1
	7	305JK71280	5JK71280	TORSION SPRING		1	1
	8	305JK71290	5JK71290	GUIDE SHEET - REGISTRATION		2	2
	9	305JK71300	5JK71300	REGISTRATION GUIDE		1	1
	10	305JK71310	5JK71310	GEAR - 14Z		2	2
	11	305JK71330	5JK71330	DRIVE GEAR - 14Z		1	1
	12	305JK71520	5JK71520	COMPRESSION SPRING		2	2
	13	305JK71540	5JK71540	GROUND WIRE		1	1
	14	305JK71550	5JK71550	ELECTRODE PLATE - LINK		1	1
	15	305JK71560	5JK71560	ELECTRODE PLATE - CONTACT POINT		1	1
	16	305JK71610	5JK71610	SPACER:GROUND PLATE:TRANSPORT		1	1
	17	305JK71670	5JK71670	GROUND WIRE:TRANSFER/SEPARATION		1	1
	18	305JK71680	5JK71680	GROUND WIRE- DUPLEX		1	1
	19	305JK74130	5JK74130	GEAR:EXIT ROLLER		1	1
	20	305H772000	5H772000	TAPPING SCREW - M3X10		4	4
	21	5HM40620	5HM40620	RETAINING RING - M4		7	7

•Parts with "⊙" indicate regular maintenance parts.  
 •Parts with Ref.No. indicate maintenance parts and the ones without it indicate out of the above.

•Parts with "-" are component parts or sub-assemblies of the assembly appearing immediately above them.  
 •Parts with "• •" are component parts or sub-assembly with "-" appearing immediately above them.



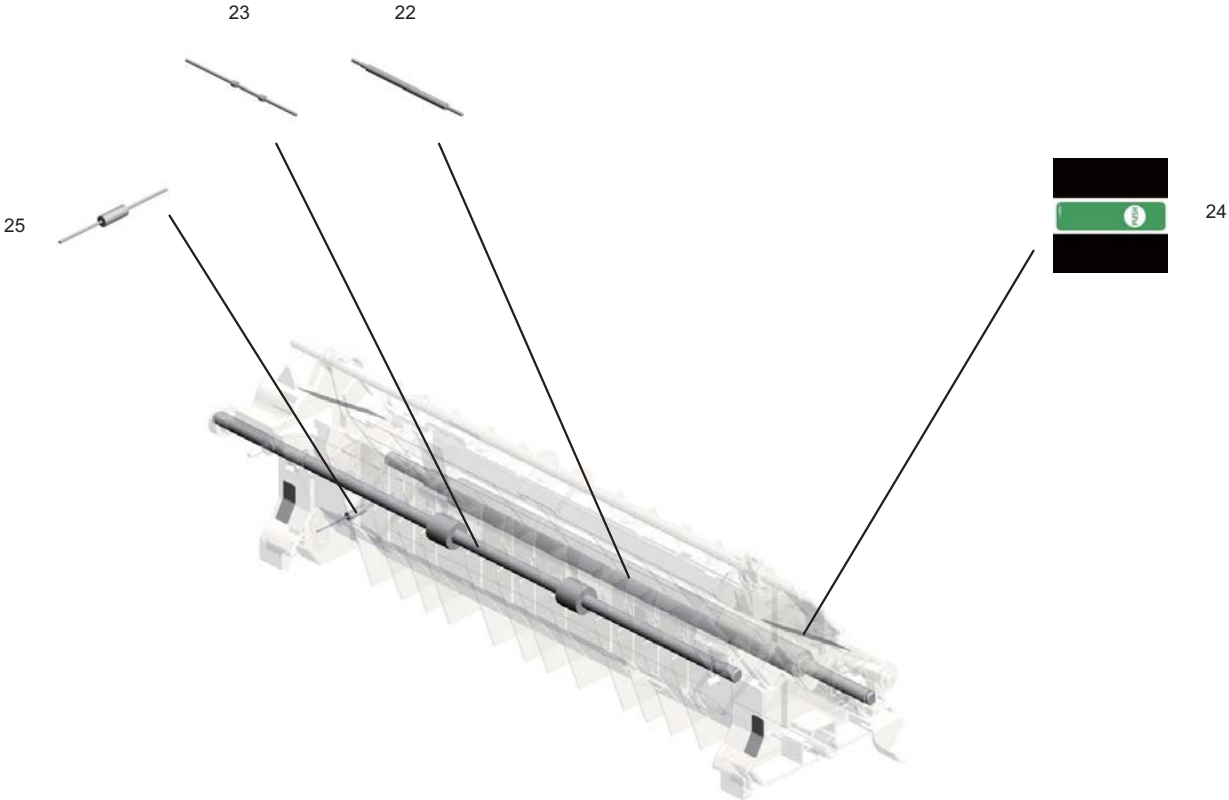


FIG. 20 Paper Transport Section 2

5J3

Ref. No.	Part.No.	Alternative.	Description	Notes	Quantity	
					230	240
22	305JK74330	5JK74330	REGISTRATION ROLLER - DRIVE		1	1
23	305J370090	5J370090	TRANSPORT ROLLER:DUPLEX		1	1
24	305JK71630	5JK71630	GRIP DECAL		2	2
25	305J370350	5J370350	RESISTOR:TRANSFER/SEPARATION		1	1

•Parts with "☉" indicate regular maintenance parts.  
 •Parts with Ref.No. indicate maintenance parts and the ones without it indicate out of the above.

•Parts with "\*" are component parts or sub-assemblies of the assembly appearing immediately above them.  
 •Parts with "• •" are component parts or sub-assembly with "\*" appearing immediately above them.

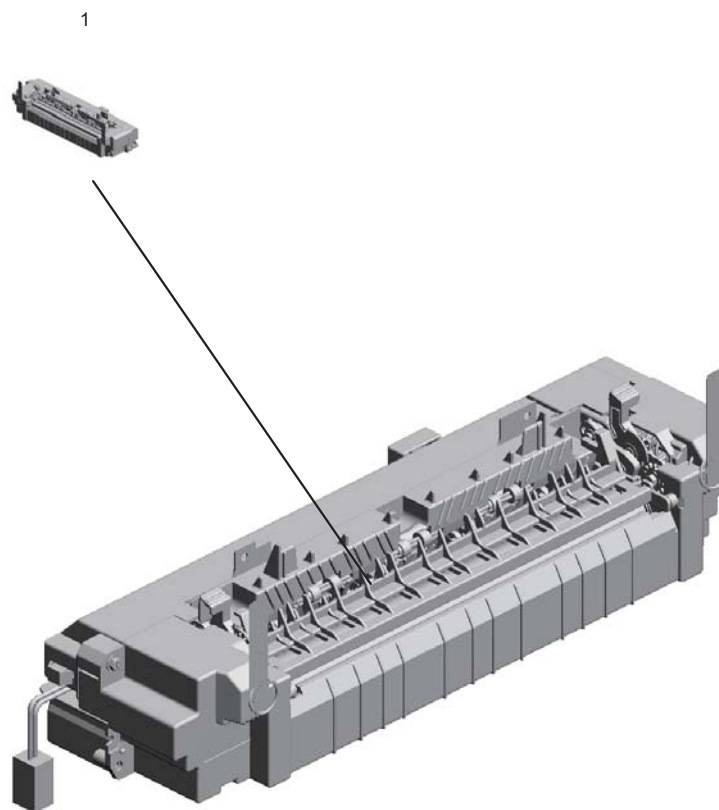


FIG. 21 Fusing Section

5J3

	Ref. No.	Part.No.	Alternative.	Description	Notes	Quantity	
						230	240
⊙	1	305J370380	5J370380	FUSING UNIT - 230V		1	1

•Parts with "⊙" indicate regular maintenance parts.  
 •Parts with Ref.No. indicate maintenance parts and the ones without it indicate out of the above.

•Parts with "•" are component parts or sub-assemblies of the assembly appearing immediately above them.  
 •Parts with "••" are component parts or sub-assembly with "•" appearing immediately above them.

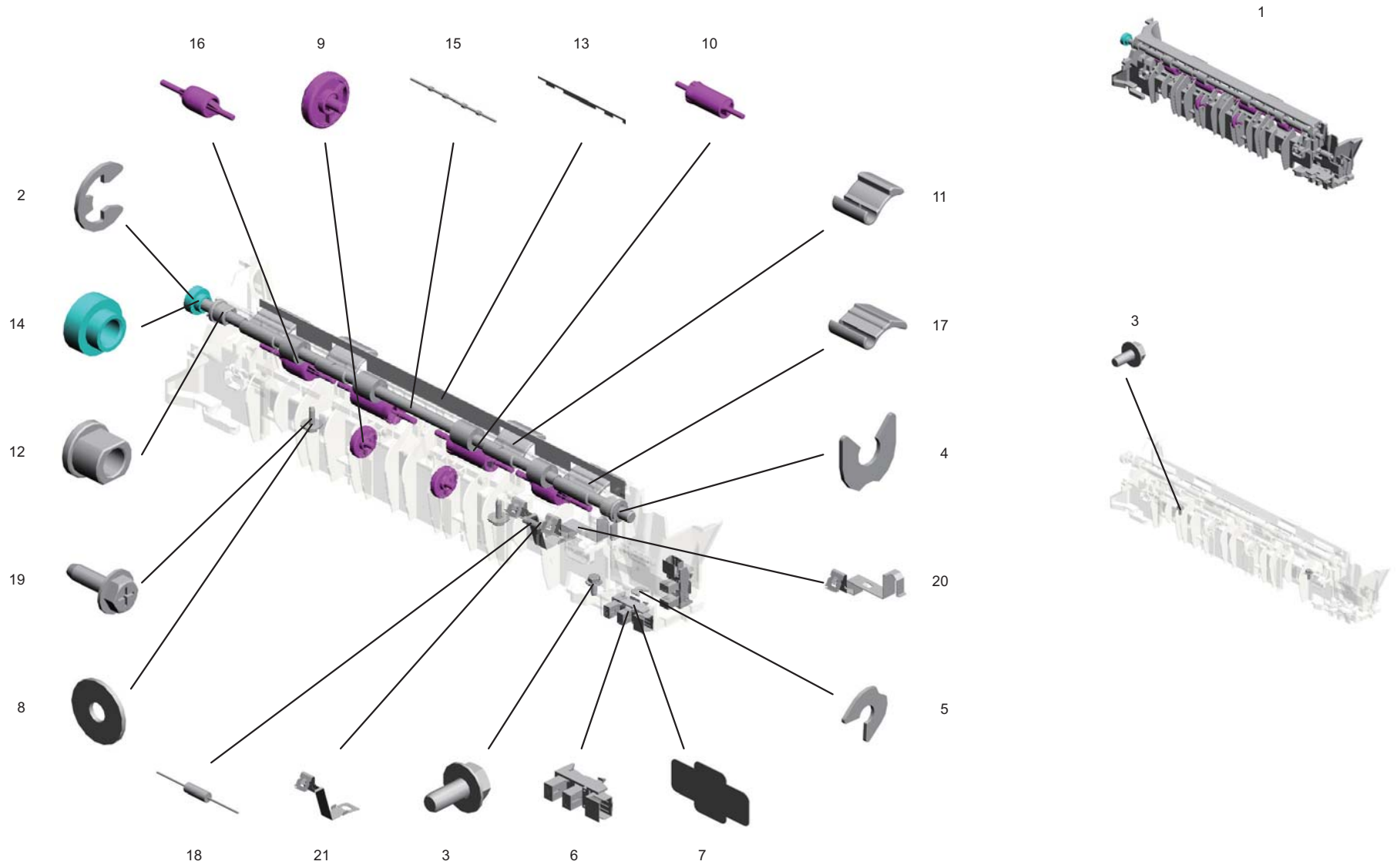


FIG. 22 Paper Exit Section 1

	Ref. No.	Part.No.	Alternative.	Description	Notes	Quantity	
						230	240
⊙	1	305J370640	5J370640	GUIDE:EXIT:PIP-MF3:ASS'Y		1	1
	2	5HM40620	5HM40620	RETAINING RING - M4		1	1
	3	305JK74450	5JK74450	SCREW - M3X8		3	3
	4	305JH74060	5JH74060	RETAINING RING - M4		2	2
	5	53106440	53106440	RETAINING RING-3M		1	1
⊙	6	305J370040	5J370040	PHOTOINTERRUPTOR:LG2A14NLI		2	2
	7	305JK70210	5JK70210	STOPPER:PHOTOINTERRUPTOR		2	2
	8	305JK71510	5JK71510	WASHER - 0.8X10.8MM		2	2
	9	305JK71830	5JK71830	GUIDE ROLLER - EXIT		2	2
	10	305JK71840	5JK71840	DRIVEN ROLLER - EXIT		2	2
	11	305JK71870	5JK71870	EXIT GUIDE PLATE		2	2
	12	305J370910	5J370910	BUSH:PLAIN SHAFT BEARING:DIA6:DIA10:9		2	2
	13	305JK73930	5JK73930	DISCHARGE BRUSH EXIT		1	1
	14	305JK74130	5JK74130	GEAR:EXIT ROLLER		1	1
	15	305J370100	5J370100	EXIT ROLLER		1	1
	16	305JK74610	5JK74610	ROLLER:DRIVEN:EXIT:OUTER		2	2
	17	305JK74630	5JK74630	GUIDE:PLATE:EXIT:OUTER		2	2
	18	305J370370	5J370370	RESISTOR:EARTH:EXIT:DISCHARGE SECTION		1	1
	19	305H772000	5H772000	TAPPING SCREW - M3X10		2	2
	20	305J370390	5J370390	GROUND PLATE:EXIT:1		1	1
	21	305J370400	5J370400	GROUND PLATE:EXIT:2		1	1

•Parts with "⊙" indicate regular maintenance parts.  
 •Parts with Ref.No. indicate maintenance parts and the ones without it indicate out of the above.

•Parts with "-" are component parts or sub-assemblies of the assembly appearing immediately above them.  
 •Parts with "• •" are component parts or sub-assembly with "-" appearing immediately above them.

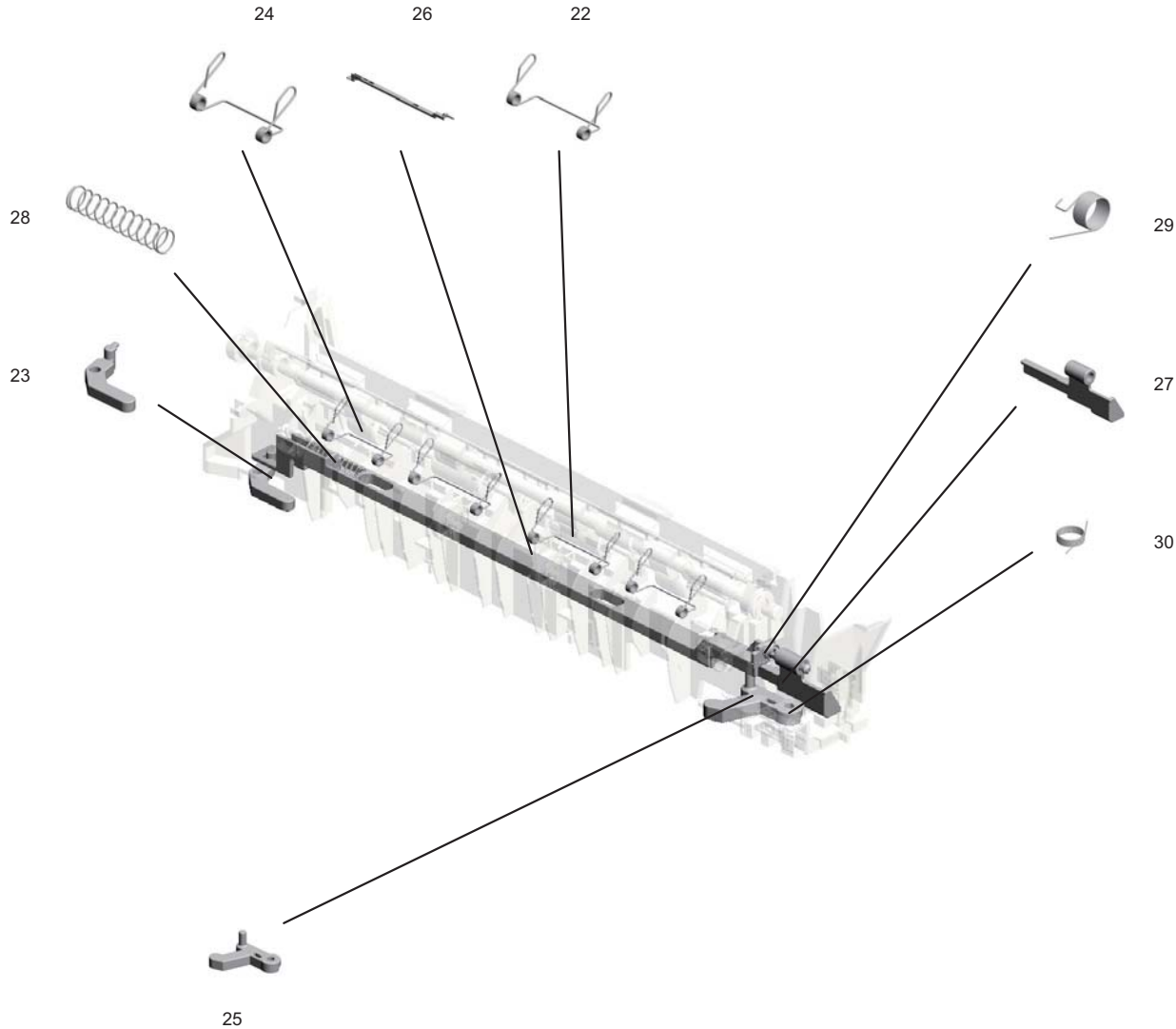


FIG. 23 Paper Exit Section 2

5J3

Ref. No.	Part.No.	Alternative.	Description	Notes	Quantity	
					230	240
22	305J370410	5J370410	SPRING:PRESSURE:EXIT:INNER		2	2
23	305J370420	5J370420	FEELER:L		1	1
24	305J370430	5J370430	SPRING:PRESSURE:EXIT:OUTER		2	2
25	305J370440	5J370440	FEELER:R		1	1
26	305J370450	5J370450	LINK:SLIDE		1	1
27	305J370460	5J370460	LINK:TURN		1	1
28	305J370470	5J370470	COMPRESSION SPRING		1	1
29	305J370480	5J370480	TORSION SPRING:1		1	1
30	305J370490	5J370490	TORSION SPRING:2		1	1

•Parts with "⊙" indicate regular maintenance parts.  
 •Parts with Ref.No. indicate maintenance parts and the ones without it indicate out of the above.

•Parts with "-" are component parts or sub-assemblies of the assembly appearing immediately above them.  
 •Parts with "• •" are component parts or sub-assembly with "-" appearing immediately above them.



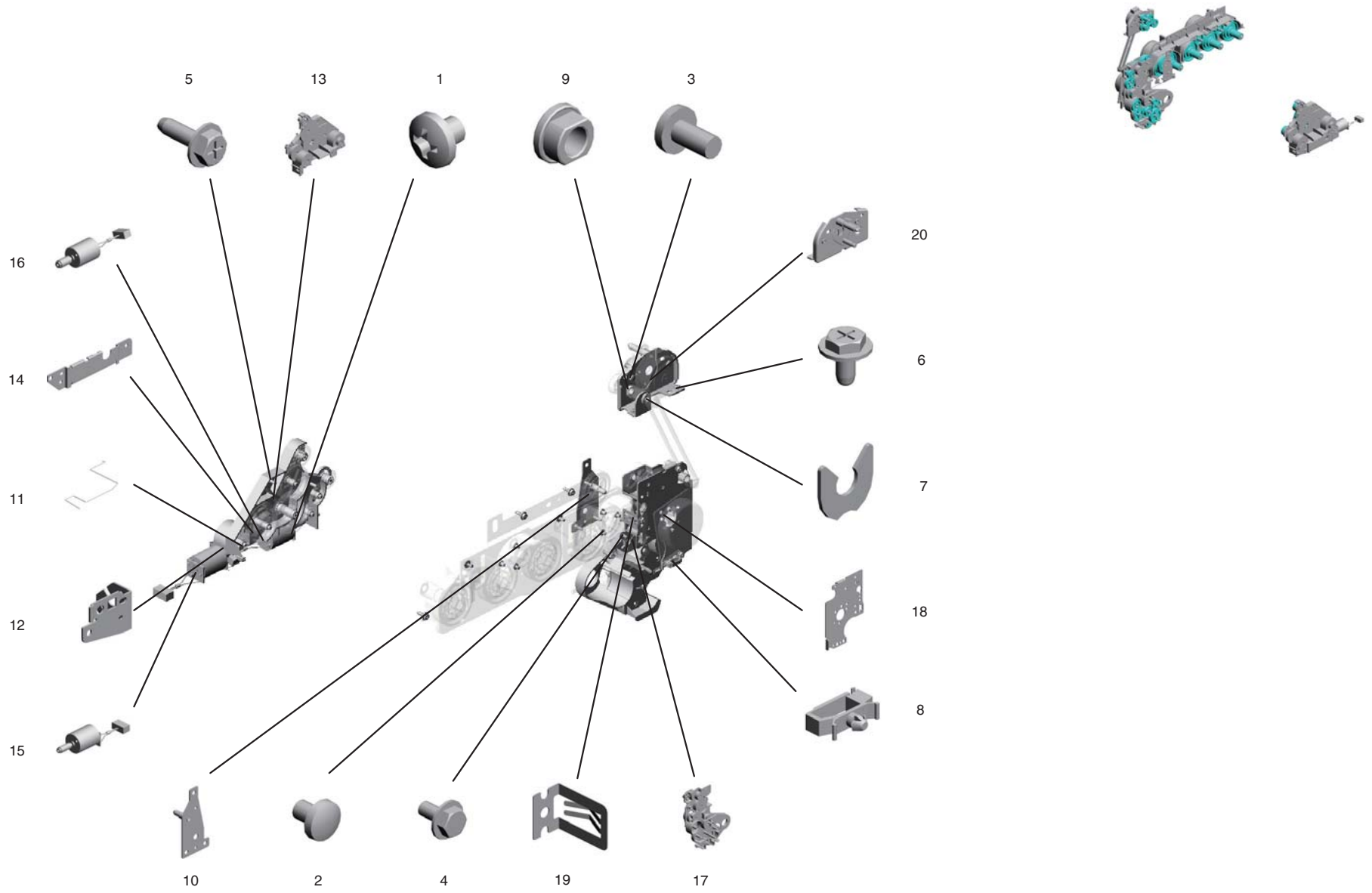


FIG. 24 Drive Section 1

Ref. No.	Part.No.	Alternative.	Description	Notes	Quantity		
					230	240	
1	305H773290	5H773290	BIND SCREW - M3X3		6	6	
2	3053106041	53106041	SCREW - M3X4		9	9	
3	3053106051	53106051	PHILIPS PAN HEAD SCREW - M3X6		2	2	
4	305HM11721	5HM11721	SCREW - M3X6		3	3	
5	305H772000	5H772000	TAPPING SCREW - M3X10		18	18	
6	305H775540	5H775540	TAPPING SCREW - M3X6		2	2	
7	305JH74060	5JH74060	RETAINING RING - M4		3	3	
8	5HM40460	5HM40460	CLAMP		1	1	
9	5HM40130	5HM40130	BUSHING - 6X10X6		2	2	
10	305JK70600	5JK70600	FRAME - TRANSFER DRIVE UNIT		1	1	
11	305JK70620	5JK70620	GROUNDING WIRE		1	1	
12	305JK70630	5JK70630	MOTOR BRACKET		2	2	
13	305JK70640	5JK70640	FRAME - ON-OFF DRIVE UNIT		1	1	
14	305JK70650	5JK70650	SHIELDING PLATE		1	1	
⊙	15	305JK70660	5JK70660	DC MOTOR:ON-OFF:ASS'Y		1	1
⊙	16	305JK70670	5JK70670	MOTOR - DC24V 1.6W		1	1
	17	305JK70680	5JK70680	FRAME - TRANSPORT DRIVE UNIT		1	1
	18	305JK70690	5JK70690	MOTOR BRACKET		1	1
	19	305JK70700	5JK70700	GROUNDING PLATE		1	1
	20	305JK70710	5JK70710	FRAME - DUPLEX DRIVE UNIT		1	1

•Parts with "⊙" indicate regular maintenance parts.  
 •Parts with Ref.No. indicate maintenance parts and the ones without it indicate out of the above.

•Parts with "-" are component parts or sub-assemblies of the assembly appearing immediately above them.  
 •Parts with "• •" are component parts or sub-assembly with "-" appearing immediately above them.

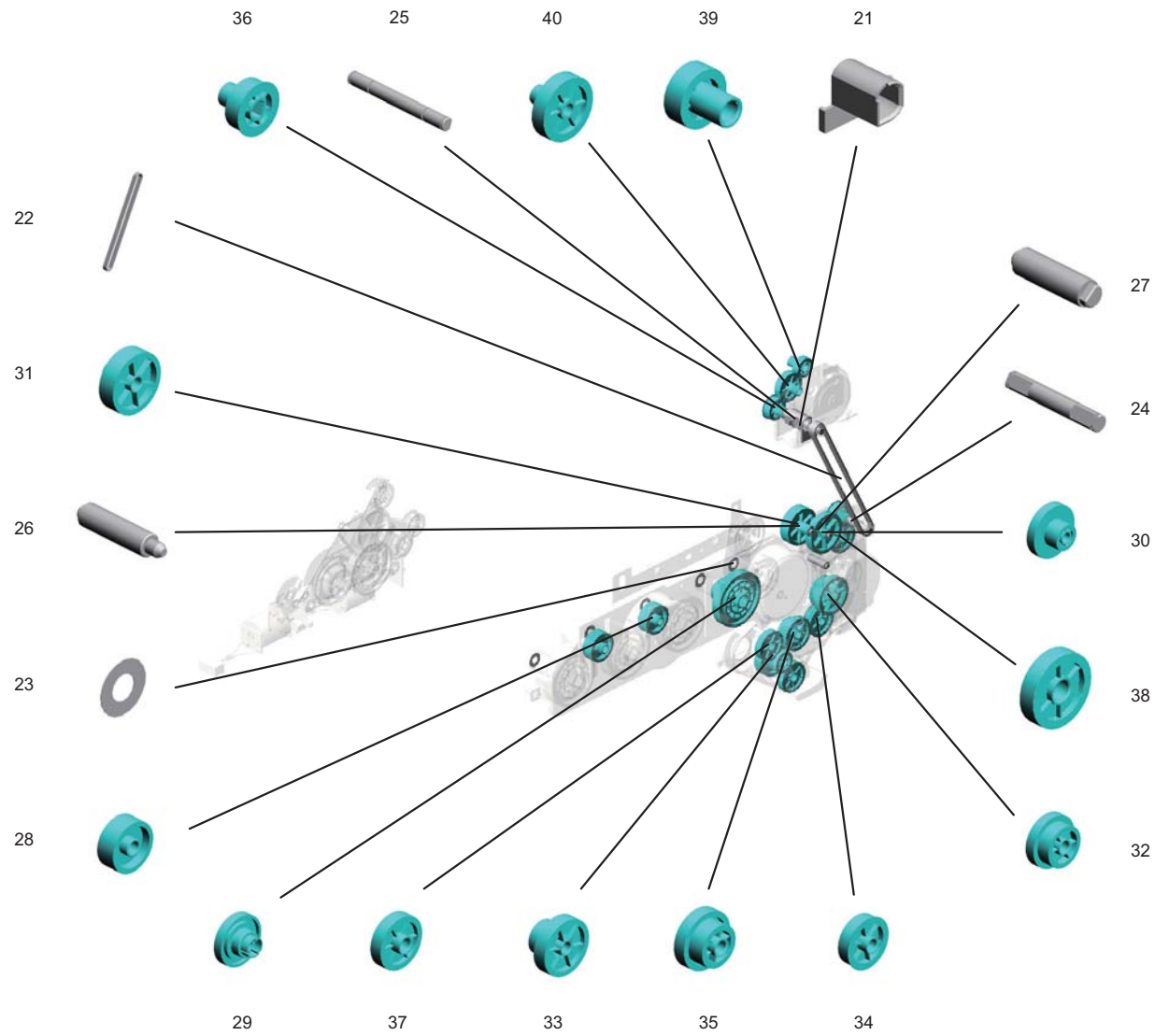


FIG. 25 Drive Section 2

Ref. No.	Part.No.	Alternative.	Description	Notes	Quantity	
					230	240
21	305JK72110	5JK72110	HARNES COVER		1	1
22	305JK73910	5JK73910	TIMING BELT - 60S2M280		1	1
23	305JK73940	5JK73940	SPACER - 0.13 X 12MM		5	5
24	305JK73960	5JK73960	SHAFT - 6 X 39.5MM		1	1
25	305JK73970	5JK73970	SHAFT - 6 X 55.3MM		1	1
26	305JK73980	5JK73980	SHAFT - 6 X 26.7MM		1	1
27	305JK73990	5JK73990	SHAFT - 6 X 21.9MM		2	2
28	305J370050	5J370050	GEAR:AIO:DRIVE:MIDDLE		2	2
29	305J370060	5J370060	GEAR:AIO:DRIVE:1		1	1
30	305JK74010	5JK74010	GEAR - 37Z		1	1
31	305JK74020	5JK74020	GEAR - 19/38Z		1	1
32	305JK74030	5JK74030	GEAR - 28/36Z		1	1
33	305JK74040	5JK74040	GEAR - 20/35Z		1	1
34	305JK74050	5JK74050	GEAR - 29Z		1	1
35	305JK74060	5JK74060	GEAR - 22/31Z		1	1
36	305JK74070	5JK74070	GEAR - 21Z		2	2
37	305JK74080	5JK74080	GEAR - 28Z		2	2
38	305JK74090	5JK74090	GEAR - 31Z		1	1
39	305JK74100	5JK74100	GEAR - 19Z		1	1
40	305JK74110	5JK74110	GEAR - 29Z		1	1

•Parts with "⊙" indicate regular maintenance parts.  
 •Parts with Ref.No. indicate maintenance parts and the ones without it indicate out of the above.

•Parts with "-" are component parts or sub-assemblies of the assembly appearing immediately above them.  
 •Parts with "• •" are component parts or sub-assembly with "-" appearing immediately above them.

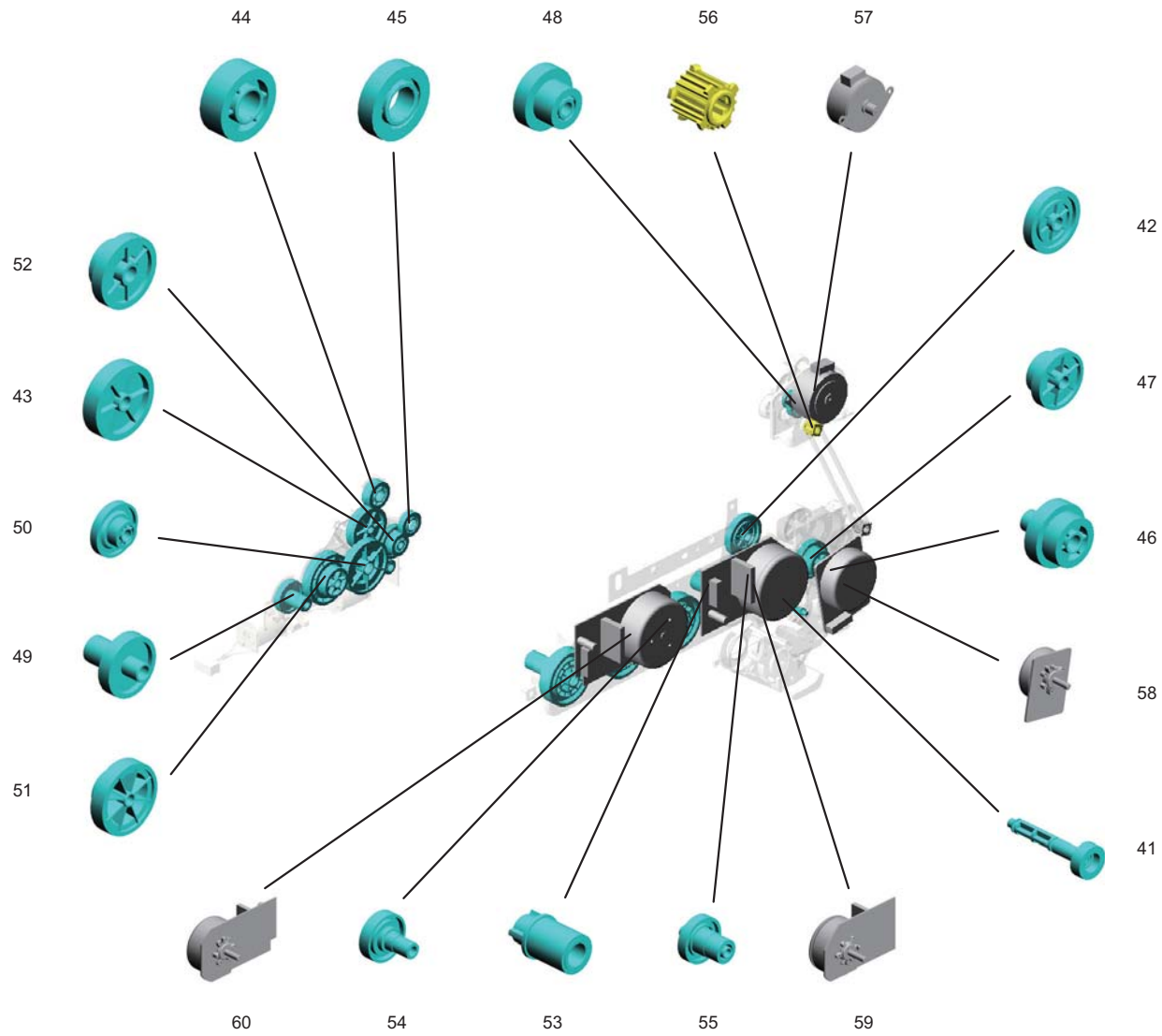


FIG. 26 Drive Section 3

Ref. No.	Part.No.	Alternative.	Description	Notes	Quantity	
					230	240
41	305JK74120	5JK74120	REGIST DRIVE GEAR		1	1
42	305JK74150	5JK74150	GEAR - 54Z		1	1
43	305JK74170	5JK74170	GEAR - 35Z		1	1
44	305JK74180	5JK74180	GEAR - 21Z		1	1
45	305JK74190	5JK74190	GEAR - 19Z		1	1
46	305JK74230	5JK74230	GEAR - 21/45Z		1	1
47	305JK74240	5JK74240	GEAR - 24/57Z		1	1
48	305JK74250	5JK74250	GEAR - 16/42Z		1	1
49	305JK74270	5JK74270	GEAR - 16/51Z		2	2
50	305JK74280	5JK74280	GEAR - 21/73Z		1	1
51	305JK74290	5JK74290	GEAR - 40/65Z		1	1
52	305JK74300	5JK74300	GEAR - 17/42Z		1	1
53	305JK74310	5JK74310	GEAR:AIO:JOINT:2		1	1
54	305J370070	5J370070	GEAR:AIO:DRIVE		3	3
55	305J370080	5J370080	GEAR:TRANSFER:DRIVE:MIDDLE		1	1
56	305JK74320	5JK74320	PULLEY - 18T		2	2
⊙ 57	305JK74810	5JK74810	STEPPER MOTOR - DC 14.8W		1	1
⊙ 58	305J370110	5J370110	BRUSHLESS MOTOR:DC24V:10W		1	1
⊙ 59	305J370120	5J370120	BRUSHLESS MOTOR:DC24V:21W		1	1
⊙ 60	305J370130	5J370130	BRUSHLESS MOTOR:DC24V:35W		1	1

•Parts with "⊙" indicate regular maintenance parts.  
 •Parts with Ref.No. indicate maintenance parts and the ones without it indicate out of the above.

•Parts with "-" are component parts or sub-assemblies of the assembly appearing immediately above them.  
 •Parts with "• •" are component parts or sub-assembly with "-" appearing immediately above them.

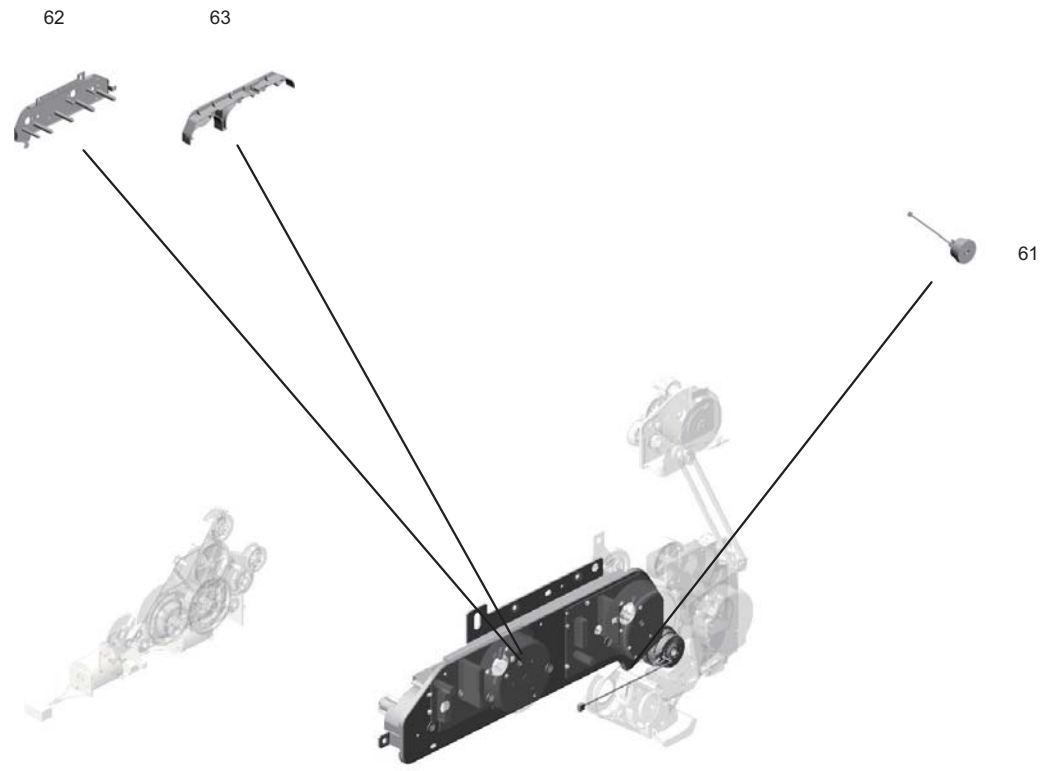


FIG. 27 Drive Section 4

5J3

	Ref. No.	Part.No.	Alternative.	Description	Notes	Quantity	
						230	240
⊙	61	305J370140	5J370140	MAGNETIC CLUTCH:0.25N		1	1
	62	305J370190	5J370190	BRACKET:MOTOR		1	1
	63	305J370200	5J370200	SHIELDING PLATE:GEAR:2		1	1

•Parts with "⊙" indicate regular maintenance parts.  
 •Parts with Ref.No. indicate maintenance parts and the ones without it indicate out of the above.

•Parts with "•" are component parts or sub-assemblies of the assembly appearing immediately above them.  
 •Parts with "••" are component parts or sub-assembly with "•" appearing immediately above them.



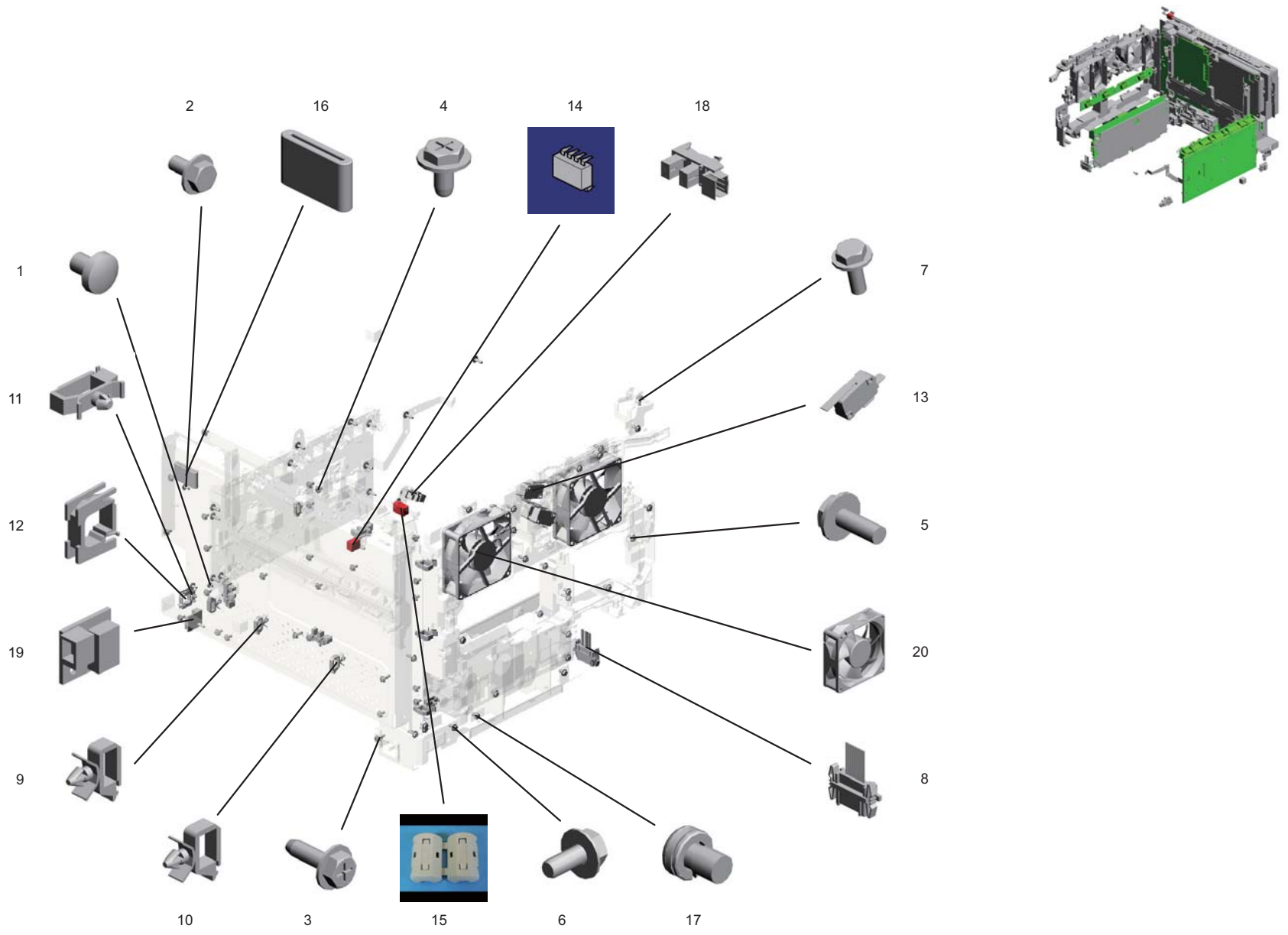


FIG. 28 Electrical Section 1

Ref. No.	Part.No.	Alternative.	Description	Notes	Quantity	
					230	240
1	3053106041	53106041	SCREW - M3X4		1	1
2	305HM11721	5HM11721	SCREW - M3X6		20	20
3	305H772000	5H772000	TAPPING SCREW - M3X10		34	34
4	305H775540	5H775540	TAPPING SCREW - M3X6		12	12
5	305H772160	5H772160	TAPPING SCREW 3X8		2	2
6	305JK74450	5JK74450	SCREW - M3X8		6	6
7	305JK75350	5JK75350	SCREW - M3X8		2	2
8	305J370030	5J370030	CONNECTOR - 10P		1	1
9	5HM32560	5HM32560	HARNESS CLAMP		2	2
10	5HM70470	5HM70470	HARNESS CLAMP - LWS-0711		4	4
11	5HM40460	5HM40460	CLAMP		3	3
12	5HM32240	5HM32240	EDGE SADDLE - LES-1010		1	1
13	305JK75370	5JK75370	MICRO SWITCH:D3V-16506-3C25		3	3
14	305J370820	5J370820	EEPROM:M24C16-WB6(REV.S/W/G)		1	1
15	305JK75390	5JK75390	FERRITE CORE - ZCAT1518-0730		1	1
16	305JK75400	5JK75400	FERRITE CORE:33.5X6.5X20		1	1
17	305JK70140	5JK70140	SCREW- M4X6		1	1
⊙ 18	305J370040	5J370040	PHOTOINTERRUPTOR:LG2A14NLI		4	4
⊙ 19	305JK70170	5JK70170	TEMPERATURE & HUMIDITY SENSOR		1	1
⊙ 20	305JK70180	5JK70180	FAN:AXIAL:MM80:25MM		2	2

•Parts with "⊙" indicate regular maintenance parts.  
 •Parts with Ref.No. indicate maintenance parts and the ones without it indicate out of the above.

•Parts with "-" are component parts or sub-assemblies of the assembly appearing immediately above them.  
 •Parts with "• •" are component parts or sub-assembly with "-" appearing immediately above them.

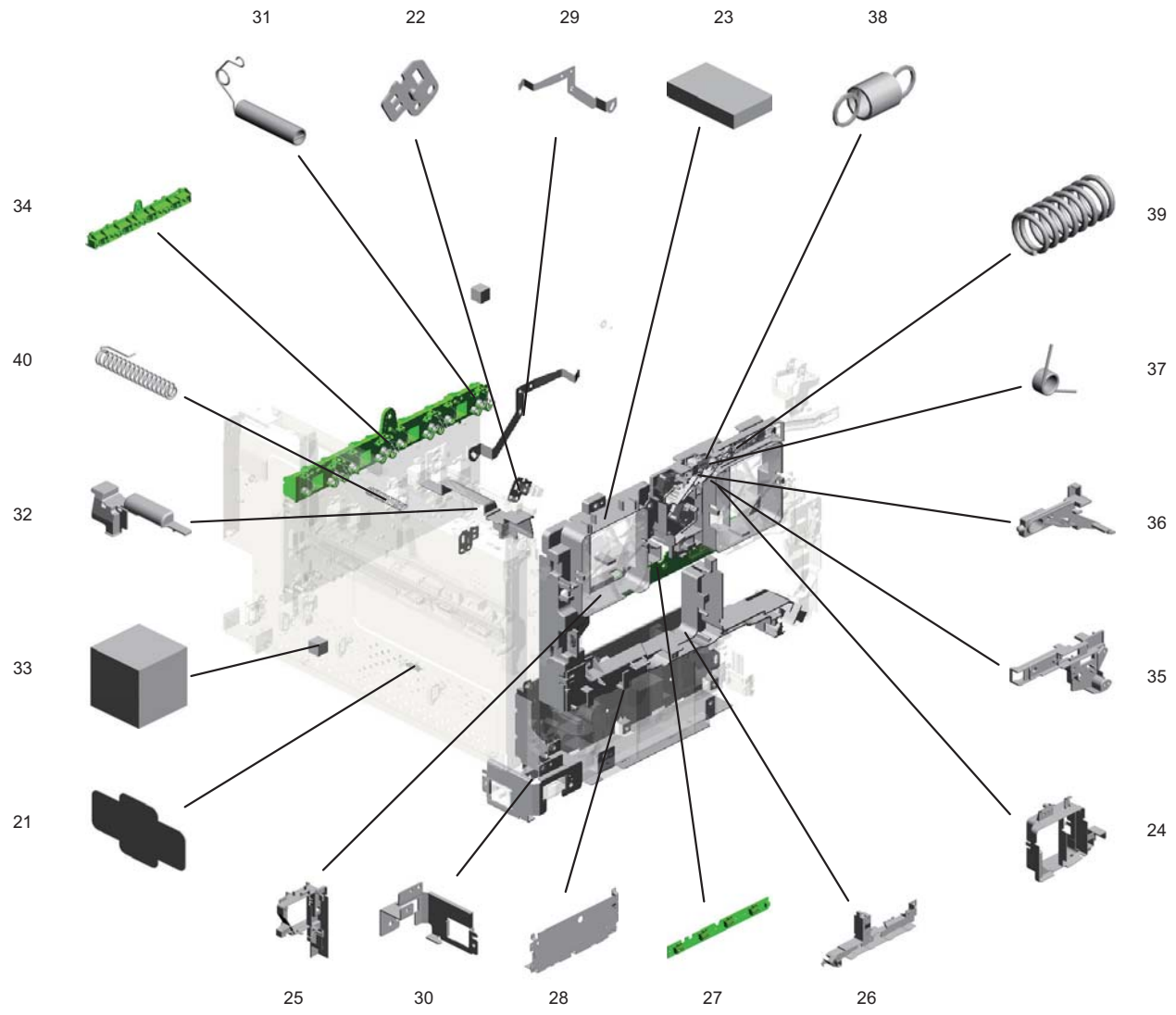


FIG. 29 Electrical Section 2

Ref. No.	Part.No.	Alternative.	Description	Notes	Quantity	
					230	240
21	305JK70210	5JK70210	STOPPER:PHOTOINTERRUPTOR		1	1
22	305JK70220	5JK70220	BRACKET - PHOTOINTERRUPTOR		2	2
23	305JK70240	5JK70240	SEAL:FAN:2		4	4
24	305JK70290	5JK70290	EXIT DUCT		1	1
25	305JK70300	5JK70300	DUCT		1	1
26	305JK70590	5JK70590	HARNESS GUIDE		1	1
⊙ 27	305JK71910	5JK71910	TERMINAL BOARD		1	1
28	305JK71930	5JK71930	BRACKET - POWER SUPPLY UNIT		1	1
29	305JK71960	5JK71960	2NDTERMINAL- TRANSFER		1	1
30	305JK71990	5JK71990	BRACKET - MAIN SWITCH		1	1
31	305JK72000	5JK72000	TERMINAL:AIO		16	16
32	305JK72020	5JK72020	HARNESS COVER		1	1
33	305JK72030	5JK72030	CUSHION - HARNESS		2	2
34	305JK75480	5JK75480	BASE:HIGH VOLTAGE:3		1	1
35	305JK72050	5JK72050	BRACKET SAFETY SWITCH		1	1
36	305JK72060	5JK72060	LINK - SAFETY SWITCH		1	1
37	305JK72070	5JK72070	TORSION SPRING - SAFETY SWITCH		1	1
38	305JK72080	5JK72080	TENSION SPRING - SAFETY SWITCH		1	1
39	305JK72090	5JK72090	COMPRESSION SPRING - SAFETY SWITCH		1	1
40	305JK72100	5JK72100	1ST TERMINAL - TRANSFER		1	1

•Parts with "⊙" indicate regular maintenance parts.  
 •Parts with Ref.No. indicate maintenance parts and the ones without it indicate out of the above.

•Parts with "-" are component parts or sub-assemblies of the assembly appearing immediately above them.  
 •Parts with "• •" are component parts or sub-assembly with "-" appearing immediately above them.

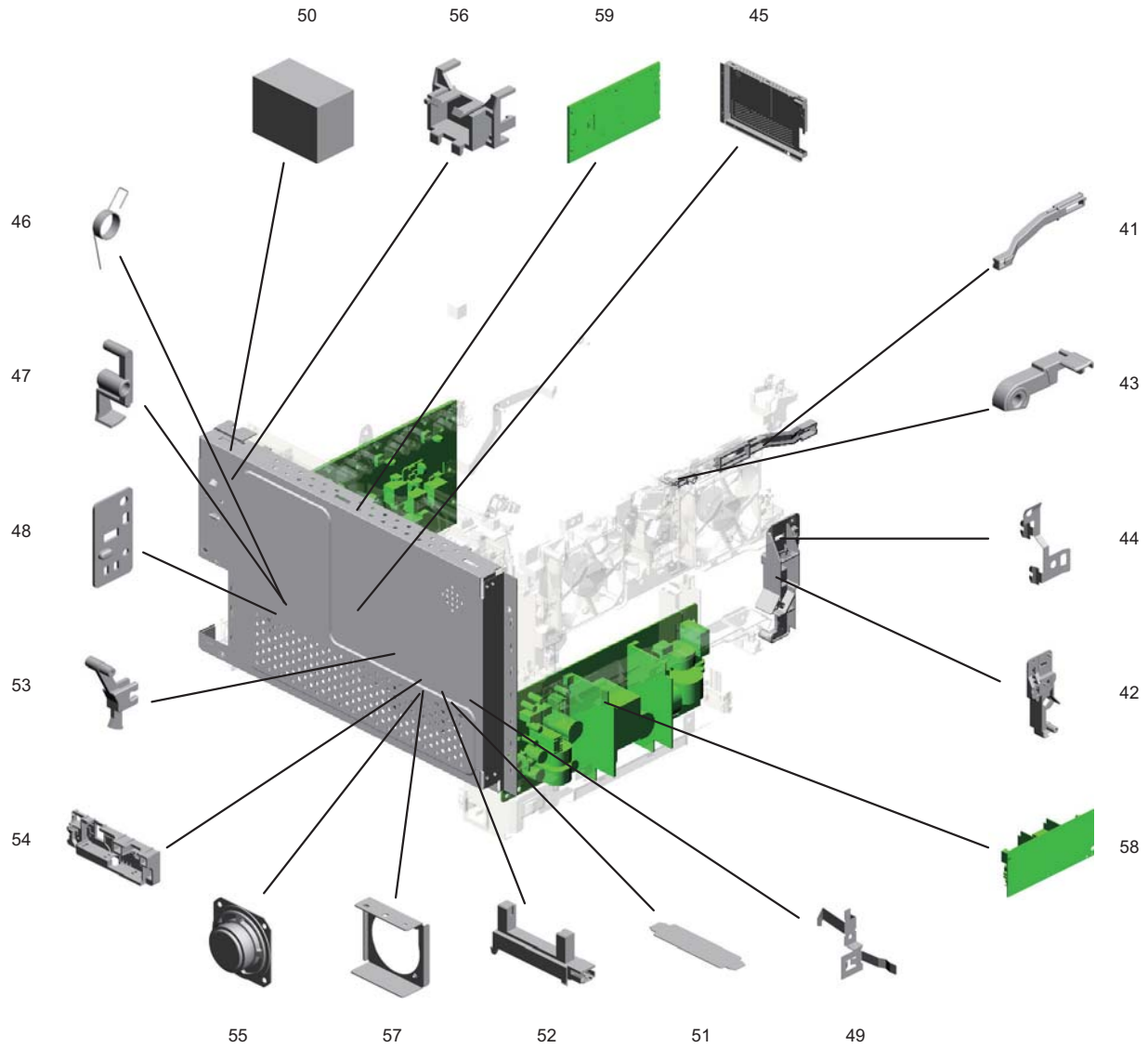


FIG. 30 Electrical Section 3

Ref. No.	Part.No.	Alternative.	Description	Notes	Quantity	
					230	240
41	305JK72130	5JK72130	LEVER - SAFETY SWITCH		1	1
42	305JK72140	5JK72140	CONNECTOR HOLDER - FUSING		1	1
43	305JK72120	5JK72120	ARM - SAFETY SWITCH		1	1
44	305JK72180	5JK72180	GROUND PLATE - FUSING		1	1
45	305J370170	5J370170	COVER:CONTROLBOARD:MF2B:ASSY		1	1
46	305JK72210	5JK72210	SPRING - FEELER		1	1
47	305JK72220	5JK72220	SENSOR FEELER		1	1
48	305JK72240	5JK72240	SENSOR HOLDER		1	1
49	305JK72250	5JK72250	GROUNDING PLATE		1	1
50	305JK74680	5JK74680	SPACER:GROUND PLATE:FLAT CABLE:SCANNER		1	1
51	305JK72370	5JK72370	STOPPER SHEET - PHOTOINTERRUPTOR		1	1
⊙ 52	305JK72380	5JK72380	USED TONER SENSOR		1	1
53	305JK72390	5JK72390	FEELER - SET SENSOR		1	1
54	305JK72400	5JK72400	SENSOR BRACKET		1	1
55	305JK73820	5JK73820	SPEAKER - DIA50		1	1
56	305JK73880	5JK73880	CASE - CORE		1	1
57	305JK73890	5JK73890	BRACKET - SPEAKER		1	1
⊙ 58	305J370150	5J370150	POWER SUPPLY UNIT:EU/AA/CHN:139W		1	1
⊙ 59	305J370160	5J370160	POWER PACK		1	1

•Parts with "⊙" indicate regular maintenance parts.  
 •Parts with Ref.No. indicate maintenance parts and the ones without it indicate out of the above.

•Parts with "-" are component parts or sub-assemblies of the assembly appearing immediately above them.  
 •Parts with "• •" are component parts or sub-assembly with "-" appearing immediately above them.

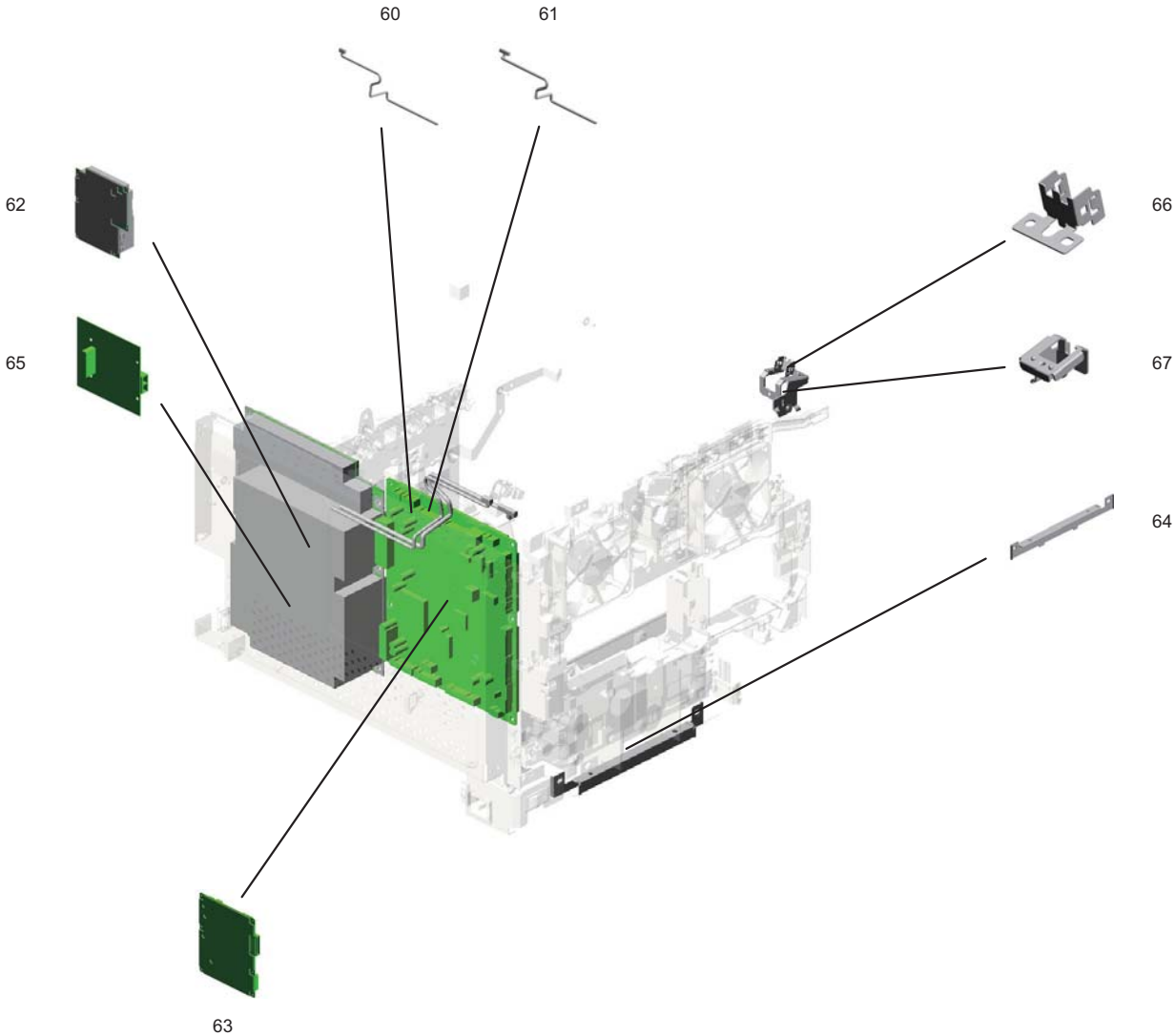


FIG. 31 Electrical Section 4

5J3

	Ref. No.	Part.No.	Alternative.	Description	Notes	Quantity	
						230	240
	60	305J370650	5J370650	CABLE:USB-HOST		1	1
	61	305J370660	5J370660	CABLE:OPERATION PANEL		1	1
⊙	62	305J370670	5J370670	PCB:CTL:MPCL:PIP:ASS'Y		1	1
⊙	63	305J370500	5J370500	PCB:EGB-PMF3PIP:ASS'Y		1	1
	64	305J370520	5J370520	SHADEING PLATE:HARNESS:POWER SUPPLY UNIT		1	1
⊙	65	305J370680	5J370680	PCB:FAX:EU/AP/CHN:ASS'Y		1	1
	66	305J370580	5J370580	HOLDER:USB		1	1
	67	305J370590	5J370590	BASE:USB		1	1

•Parts with "⊙" indicate regular maintenance parts.  
 •Parts with Ref.No. indicate maintenance parts and the ones without it indicate out of the above.

•Parts with "•" are component parts or sub-assemblies of the assembly appearing immediately above them.  
 •Parts with "••" are component parts or sub-assembly with "•" appearing immediately above them.



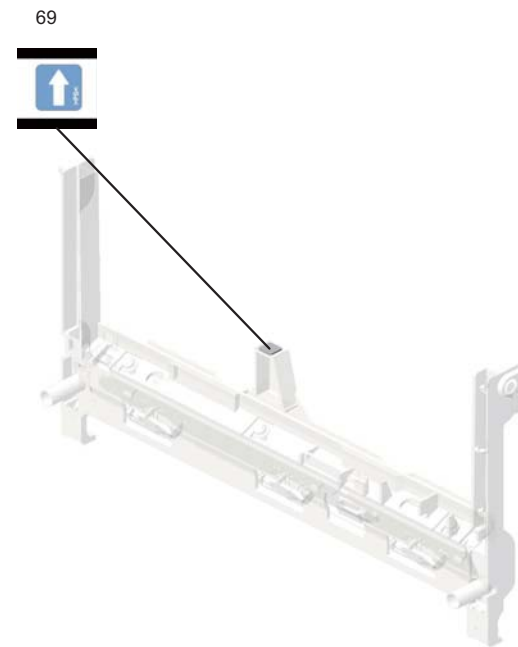
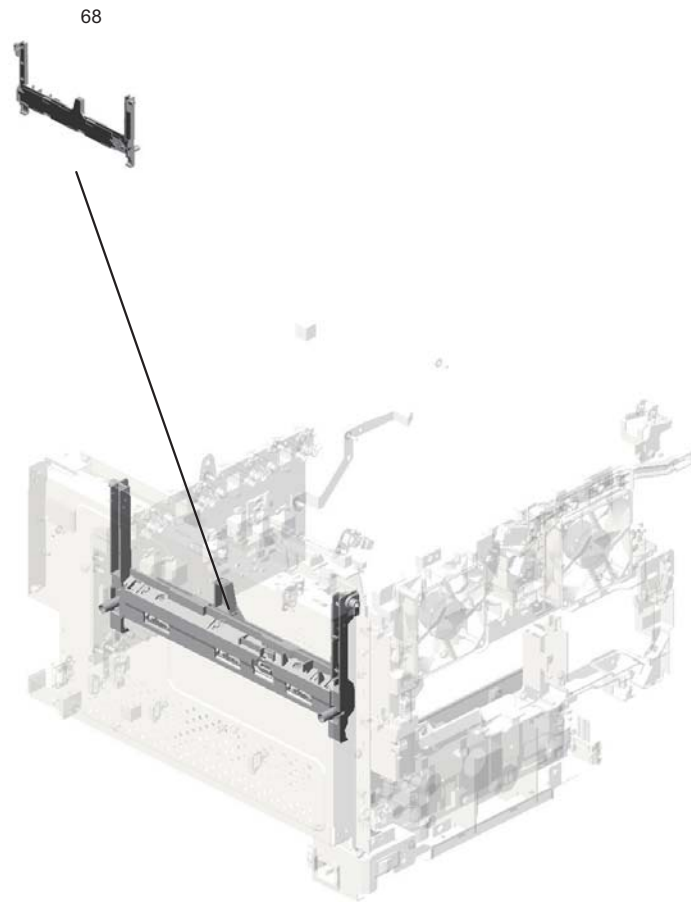


FIG. 32 Electrical Section 5

5J3

	Ref. No.	Part.No.	Alternative.	Description	Notes	Quantity	
						230	240
⊙	68	305JK72190	5JK72190	DENSITY SENSOR:ASS'Y		1	1
	69	305JK72320	5JK72320	CLEANER DECAL - DENSITY SENSOR		1	1

•Parts with "⊙" indicate regular maintenance parts.  
 •Parts with Ref.No. indicate maintenance parts and the ones without it indicate out of the above.

•Parts with "•" are component parts or sub-assemblies of the assembly appearing immediately above them.  
 •Parts with "••" are component parts or sub-assembly with "•" appearing immediately above them.

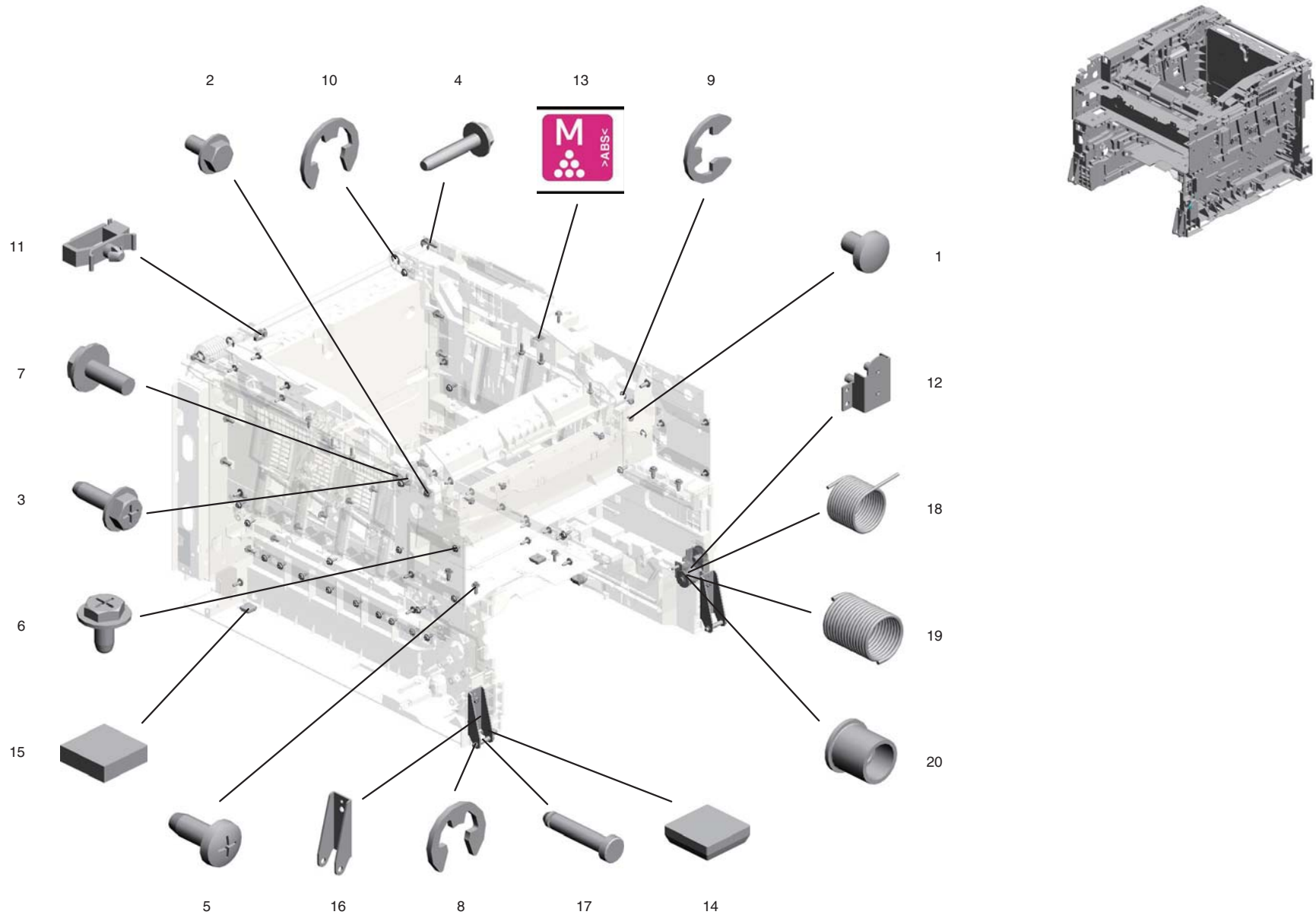


FIG. 33 Frame Section 1

5J3

Ref. No.	Part.No.	Alternative.	Description	Notes	Quantity	
					230	240
1	3053106041	53106041	SCREW - M3X4		2	2
2	305HM11721	5HM11721	SCREW - M3X6		2	2
3	305H772000	5H772000	TAPPING SCREW - M3X10		32	32
4	305JK75330	5JK75330	TAPPING SCREW:3X16		2	2
5	305H772040	5H772040	TAPPING SCREW M4X10		17	17
6	305H775540	5H775540	TAPPING SCREW - M3X6		7	7
7	305H772160	5H772160	TAPPING SCREW 3X8		22	22
8	54530450	54530450	RETAINING RING - M3		2	2
9	5HM40620	5HM40620	RETAINING RING - M4		3	3
10	54930220	54930220	E MODEL STOP RING 6		4	4
11	5HM40460	5HM40460	CLAMP		1	1
12	305JK70250	5JK70250	CLUTCH/BRAKE BRAKET		1	1
13	305JK70260	5JK70260	COLOR DECAL - MAGENTA		1	1
14	305JK70270	5JK70270	SPACER:RUBBER FOOT		4	4
15	305JK70280	5JK70280	RUBBER FOOT:MACHINE OR COPIER:MM10		4	4
16	305JK70310	5JK70310	BASE:HINGE:COVER:FRONT		2	2
17	305JK70320	5JK70320	PIN:HINGE		2	2
18	305JK70330	5JK70330	CLUTCH/BRAKE SPRING		1	1
19	305JK70340	5JK70340	CLUTCH SPRING		1	1
20	305JK70350	5JK70350	CLUTCH/BRAKE CASE		1	1

•Parts with "⊙" indicate regular maintenance parts.  
 •Parts with Ref.No. indicate maintenance parts and the ones without it indicate out of the above.

•Parts with "-" are component parts or sub-assemblies of the assembly appearing immediately above them.  
 •Parts with "• •" are component parts or sub-assembly with "-" appearing immediately above them.

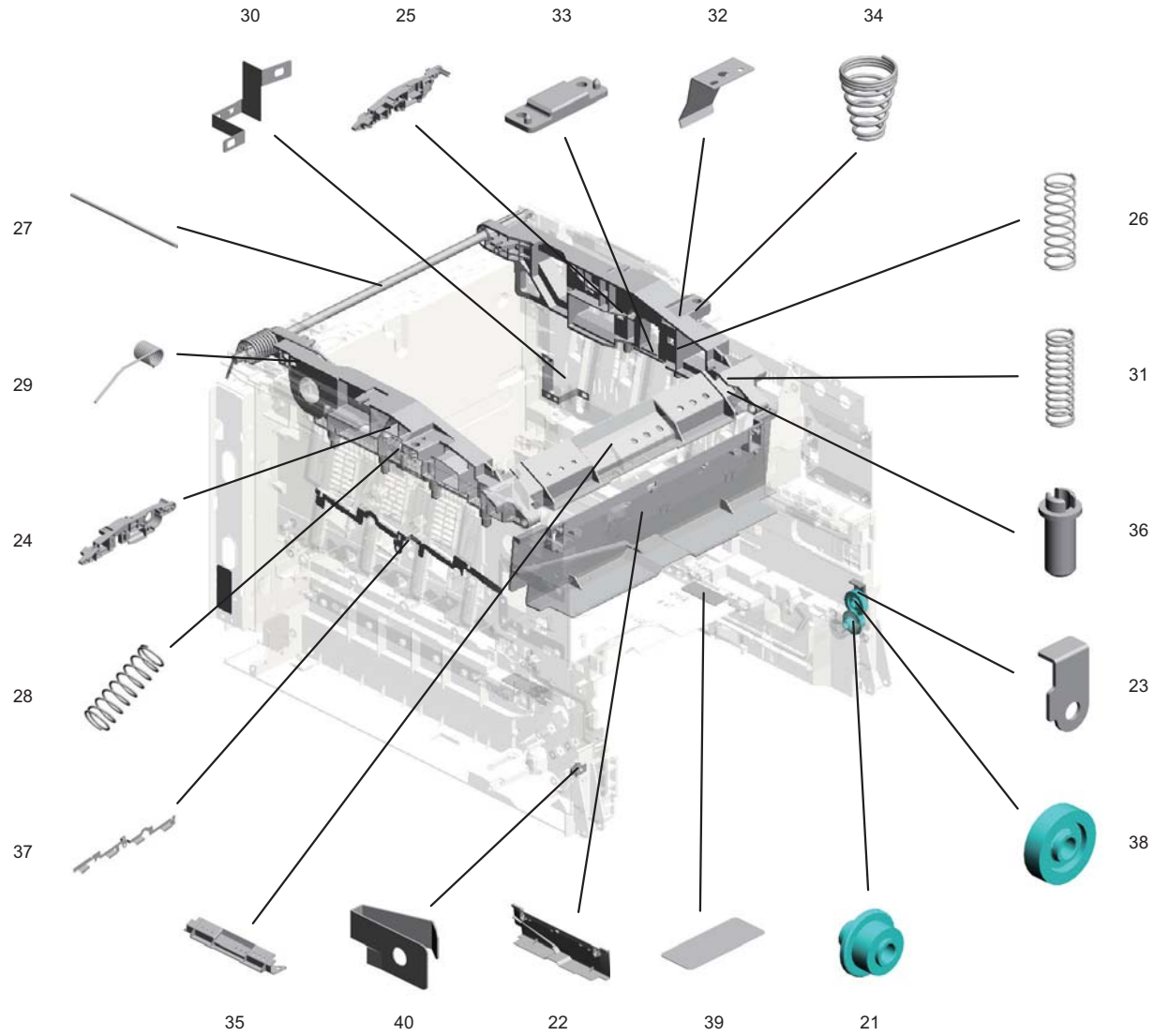


FIG. 34 Frame Section 2

Ref. No.	Part.No.	Alternative.	Description	Notes	Quantity	
					230	240
21	305JK70360	5JK70360	GEAR - 14Z		1	1
22	305JK70370	5JK70370	FUSING DUCT		1	1
23	305JK70380	5JK70380	RACK SUPPORTER		1	1
24	305JK70390	5JK70390	FRAME:UPPER LEFT		1	1
25	305JK70400	5JK70400	FRAME:UPPER RIGHT		1	1
26	305JK70410	5JK70410	SPRING:PLATE:AIO		4	4
27	305JK70420	5JK70420	SHAFT		1	1
28	305JK70430	5JK70430	COMPRESSION SPRING		2	2
29	305JK70440	5JK70440	TWIST SPRING - LEFT		1	1
30	305JK70450	5JK70450	GROUNDING PLATE - HIGH VOLTAGE		1	1
31	305JK70460	5JK70460	SPRING:PLATE:AIO:BLACK		4	4
32	305JK70470	5JK70470	SPRING PLATE:LSU:POSITIONING		1	1
33	305JK70480	5JK70480	BRACKET:OPTICAL UNIT:FRAME:UPPER		2	2
34	305JK70490	5JK70490	SPRING:CUSHION:FRAME:UPPER		2	2
35	305JK70500	5JK70500	UPPER FRONT DUCT		1	1
36	305JK70510	5JK70510	PIN:PLATE:DEVELOPMENT UNIT		8	8
37	305JK70520	5JK70520	GROUND PLATE - DCHIP		1	1
38	305JK70540	5JK70540	GEAR - 20Z		1	1
39	305JK70550	5JK70550	SHEET:BASE:FRAME		3	3
40	305JK70560	5JK70560	GROUND PLATE - FRONT		1	1

•Parts with "⊙" indicate regular maintenance parts.  
 •Parts with Ref.No. indicate maintenance parts and the ones without it indicate out of the above.

•Parts with "-" are component parts or sub-assemblies of the assembly appearing immediately above them.  
 •Parts with "• •" are component parts or sub-assembly with "-" appearing immediately above them.

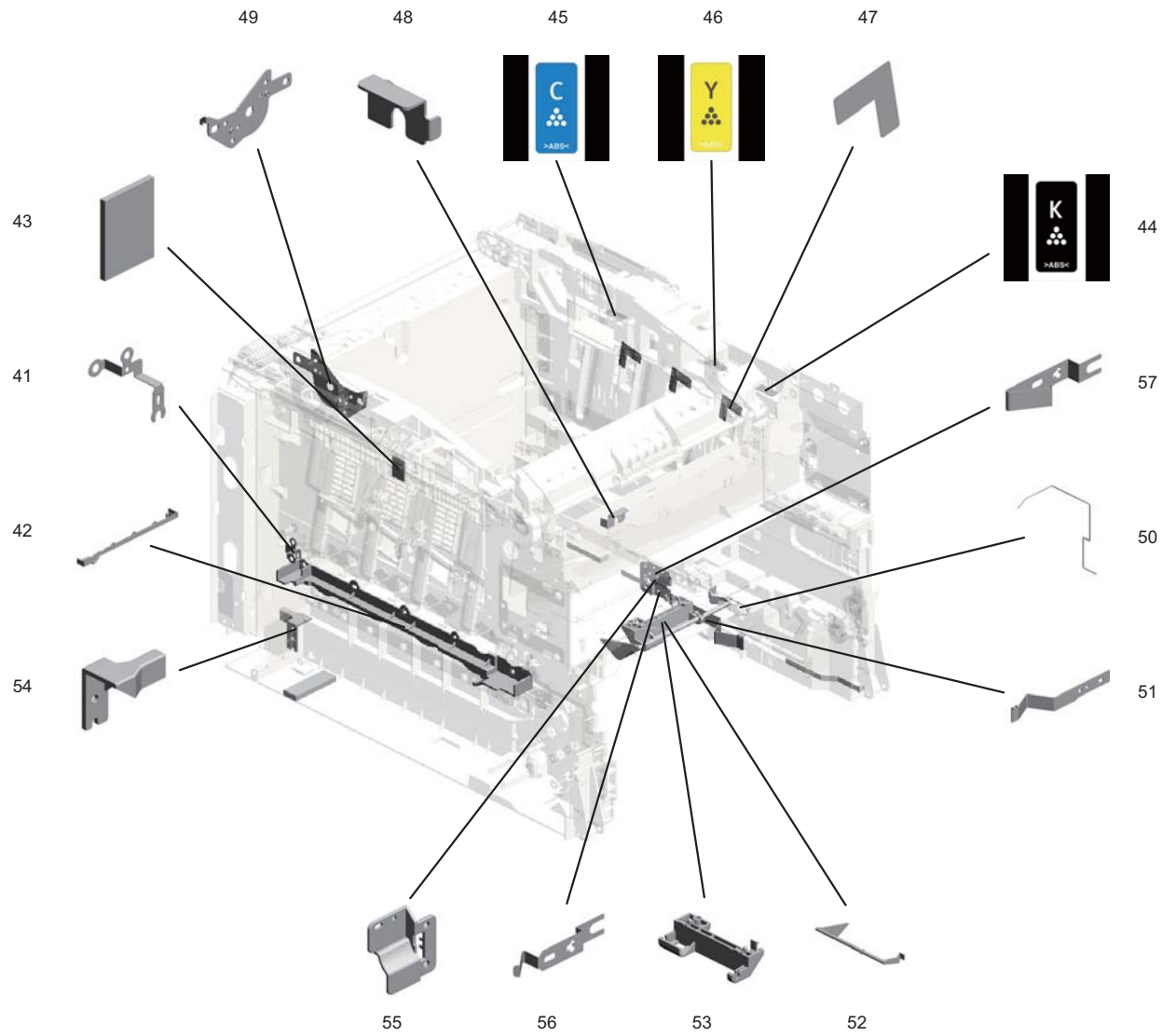


FIG. 35 Frame Section 3

5J3

Ref. No.	Part.No.	Alternative.	Description	Notes	Quantity	
					230	240
41	305JK70570	5JK70570	GROUND PLATE - LEFT		1	1
42	305JK70610	5JK70610	GEAR COVER		1	1
43	305JK70760	5JK70760	CUSHION - IMAGING UNIT		1	1
44	305JK71210	5JK71210	DECAL - BLACK		1	1
45	305JK71220	5JK71220	COLOR DECAL -CYAN		1	1
46	305JK71230	5JK71230	DECAL - YELLOW		1	1
47	305JK70800	5JK70800	SHEET:FRAME:RIGHT		3	3
48	305JK70830	5JK70830	KEY:FUSING		1	1
49	305JK70840	5JK70840	BRACKET:BRAKE:COVER:UPPER		1	1
50	305JK71080	5JK71080	GROUNDING SPRING		1	1
51	305JK71090	5JK71090	SPRING PLATE:PAPER TRAY:POSITIONING		1	1
52	305JK71100	5JK71100	FEELER - PAPER END SENSOR		1	1
53	305JK71110	5JK71110	FEELER HOLDER		1	1
54	305JK71120	5JK71120	HOLDER:PAPER TRAY:POSITIONING		1	1
55	305JK71160	5JK71160	HOLDER:RESISTOR:BASE		1	1
56	305JK71170	5JK71170	SPRING PLATE:RESISTOR:BASE:LOWER		1	1
57	305JK71180	5JK71180	SPRING PLATE:RESISTOR:BASE:UPPER		1	1

•Parts with "⊙" indicate regular maintenance parts.  
 •Parts with Ref.No. indicate maintenance parts and the ones without it indicate out of the above.

•Parts with "-" are component parts or sub-assemblies of the assembly appearing immediately above them.  
 •Parts with "• •" are component parts or sub-assembly with "-" appearing immediately above them.



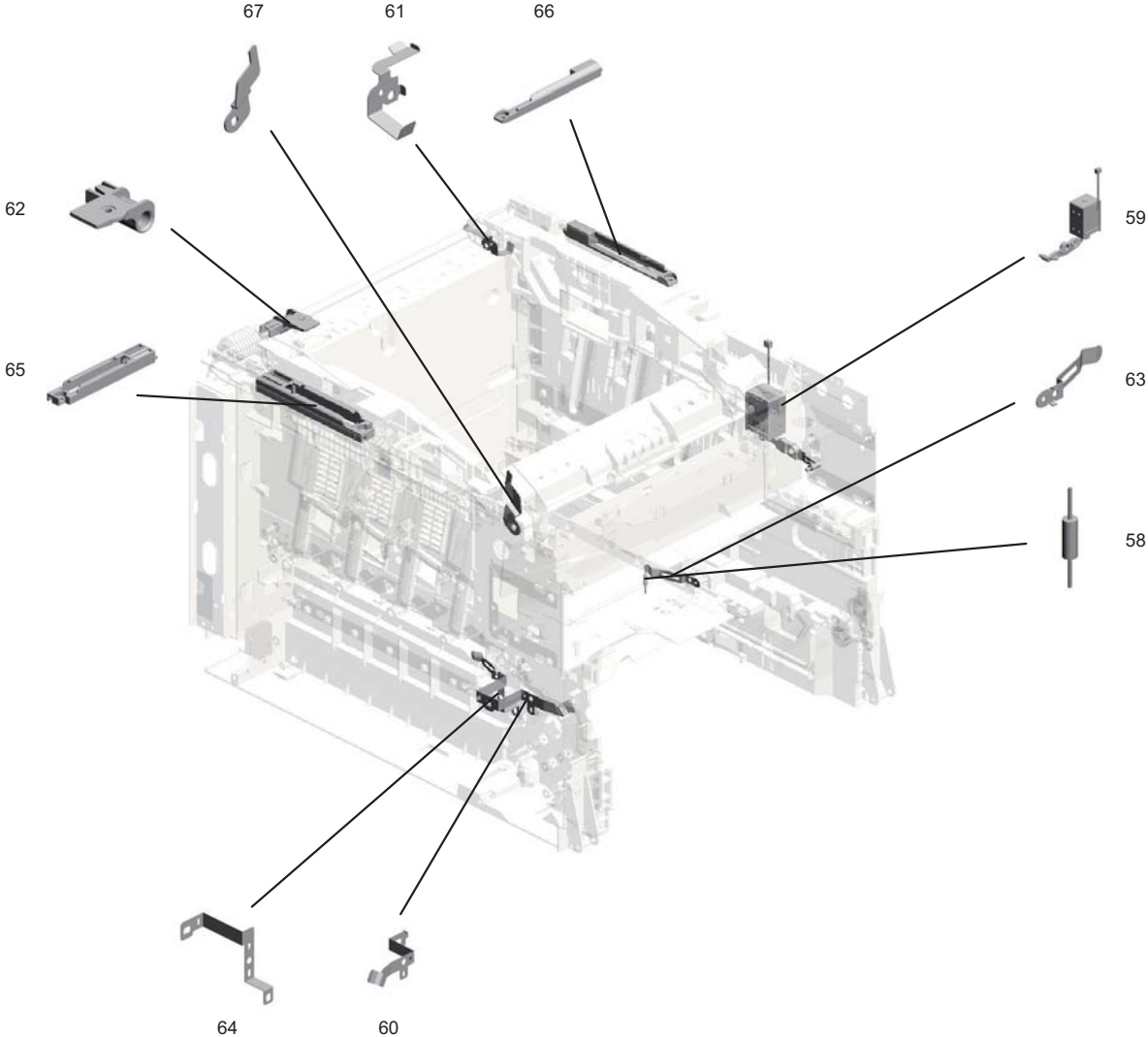


FIG. 36 Frame Section 4

5J3

Ref. No.	Part.No.	Alternative.	Description	Notes	Quantity	
					230	240
58	305J370360	5J370360	RESISTOR:EARTH:PAPER FEED		1	1
59	305J370510	5J370510	DC SOLENOID:FUSING:ASS'Y		1	1
60	305J370530	5J370530	GROUND PLATE:REGISTRATION ROLLER		1	1
61	305JK71950	5JK71950	GROUND PLATE:SHAFT:IMAGING UNIT		1	1
62	305JK72010	5JK72010	HARNESS CLAMP HOLDER		1	1
63	305JK72410	5JK72410	SPRING PLATE-COLLECTION BOTTLE		2	2
64	305J370540	5J370540	GROUND PLATE:BASE:PSU		1	1
65	305JK72460	5JK72460	SLIDE RAIL:LEFT		1	1
66	305JK72470	5JK72470	SLIDE RAIL:RIGHT		1	1
67	305JK72590	5JK72590	PLATE:SHAFT		1	1

•Parts with "⊙" indicate regular maintenance parts.  
 •Parts with Ref.No. indicate maintenance parts and the ones without it indicate out of the above.

•Parts with "•" are component parts or sub-assemblies of the assembly appearing immediately above them.  
 •Parts with "••" are component parts or sub-assembly with "•" appearing immediately above them.

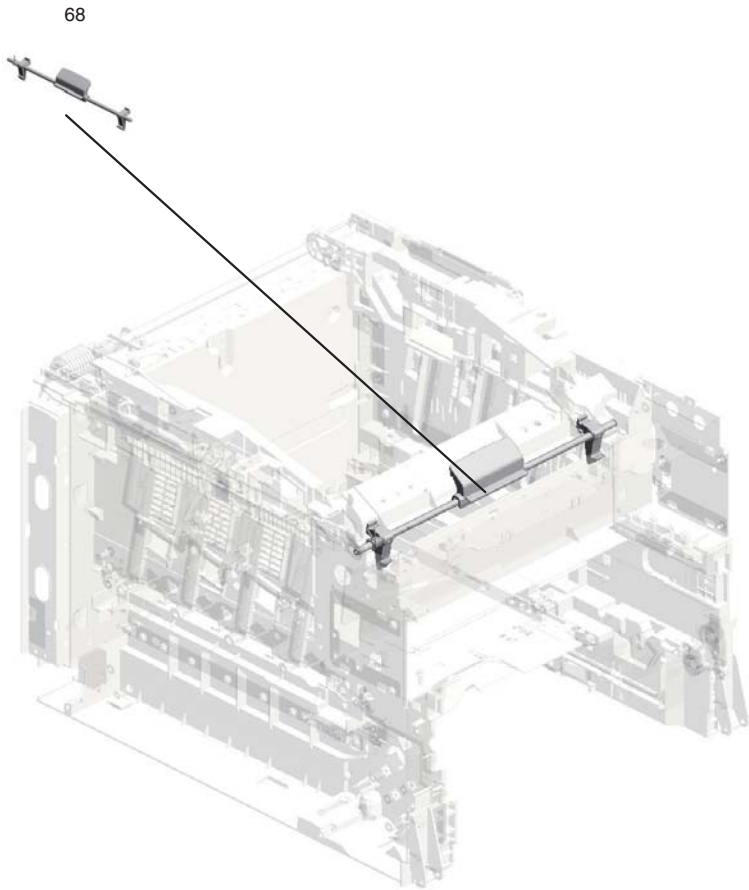


FIG. 37 Frame Section 5

5J3

Ref. No.	Part.No.	Alternative.	Description	Notes	Quantity	
					230	240
68	305J370180	5J370180	SHAFT:LOCK:PIP-MF2:ASS'Y		1	1
69	5HM40620	5HM40620	RETAINING RING - M4		1	1

•Parts with "⊙" indicate regular maintenance parts.  
 •Parts with Ref.No. indicate maintenance parts and the ones without it indicate out of the above.

•Parts with "\*" are component parts or sub-assemblies of the assembly appearing immediately above them.  
 •Parts with "•" are component parts or sub-assembly with "\*" appearing immediately above them.

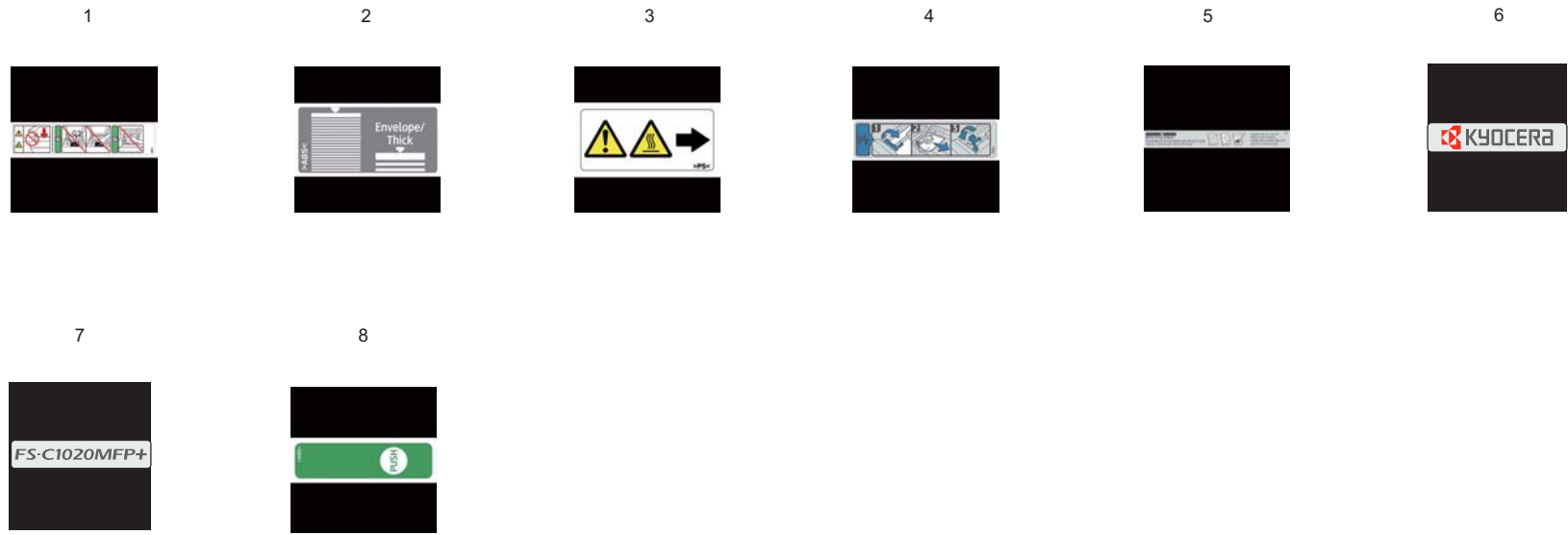


FIG. 38 Labels

Ref. No.	Part.No.	Alternative.	Description	Notes	Quantity	
					230	240
1	305JK70860	5JK70860	CAUTION DECAL - TRANSFER BELT		1	1
2	305JK71140	5JK71140	SIDE FENCE DECAL		1	1
3	305JK71880	5JK71880	DECAL:HIGHTEMPERATURE		1	1
4	305JK73140	5JK73140	ADF DECAL - PICK-UP PAPER JAM		1	1
5	305JK73210	5JK73210	DECAL:CAUTION:SET:ORIGINAL:NA		1	1
6	305JK70750	5JK70750	LOGO PLATE - KYM		1	1
7	305J370610	5J370610	DECAL:NAME PLATE:PIP-MF3:EXP		1	1
8	305JK71630	5JK71630	GRIP DECAL		1	1

•Parts with "⊙" indicate regular maintenance parts.  
 •Parts with Ref.No. indicate maintenance parts and the ones without it indicate out of the above.

•Parts with "•" are component parts or sub-assemblies of the assembly appearing immediately above them.  
 •Parts with "••" are component parts or sub-assembly with "•" appearing immediately above them.

1



FIG. 39 Accessories

5J3

Ref. No.	Part.No.	Alternative.	Description	Notes	Quantity	
					230	240
1	305JK71920	5JK71920	POWER SUPPLY CORD -250V 10A EU		1	1

•Parts with "☉" indicate regular maintenance parts.  
 •Parts with Ref.No. indicate maintenance parts and the ones without it indicate out of the above.

•Parts with "•" are component parts or sub-assemblies of the assembly appearing immediately above them.  
 •Parts with "••" are component parts or sub-assembly with "•" appearing immediately above them.



	Part.No.	Alternative.	Description	Fig.No.
⊙	38407410	38407410	BOTTOM PLATE PAD	14
	53106430	53106430	E RING SILENCER CIRCLE6	16
	53106440	53106440	RETAINING RING-3M	22
	53115110	53115110	SPACER	16
	54530450	54530450	RETAINING RING - M3	33
	54930220	54930220	E MODEL STOP RING 6	33
	3038407031	38407031	TAPPING SCREW - M3X8	1,13
	3053106041	53106041	SCREW - M3X4	24,28,33
	3053106051	53106051	PHILIPS PAN HEAD SCREW - M3X6	24
	305H772000	5H772000	TAPPING SCREW - M3X10	1,5,6,16,18,19,22,24,28,33
	305H772040	5H772040	TAPPING SCREW M4X10	1,33
	305H772160	5H772160	TAPPING SCREW 3X8	1,28,33
	305H773290	5H773290	BIND SCREW - M3X3	24
	305H775540	5H775540	TAPPING SCREW - M3X6	24,28,33
	305HM11491	5HM11491	TAPPING SCREW - M3X10	11
	305HM11721	5HM11721	SCREW - M3X6	24,28,33
	305J370030	5J370030	CONNECTOR - 10P	28
	305J370040	5J370040	PHOTOINTERRUPTOR:LG2A14NLI	22,28
	305J370050	5J370050	GEAR:AIO:DRIVE:MIDDLE	25
	305J370060	5J370060	GEAR:AIO:DRIVE:1	25
	305J370070	5J370070	GEAR:AIO:DRIVE	26
	305J370080	5J370080	GEAR:TRANSFER:DRIVE:MIDDLE	26
	305J370090	5J370090	TRANSPORT ROLLER:DUPLX	20
	305J370100	5J370100	EXIT ROLLER	22
	305J370110	5J370110	BRUSHLESS MOTOR:DC24V:10W	26
	305J370120	5J370120	BRUSHLESS MOTOR:DC24V:21W	26
	305J370130	5J370130	BRUSHLESS MOTOR:DC24V:35W	26
	305J370140	5J370140	MAGNETIC CLUTCH:0.25N	15,27
	305J370150	5J370150	POWER SUPPLY UNIT:EU/AA/CHN:139W	30
	305J370160	5J370160	POWER PACK	30
	305J370170	5J370170	COVER:CONTROLBOARD:MF2B:ASS'Y	30
	305J370180	5J370180	SHAFT:LOCK:PIP-MF2:ASS'Y	37
	305J370190	5J370190	BRACKET:MOTOR	27
	305J370200	5J370200	SHIELDING PLATE:GEAR:2	27
	305J370210	5J370210	GUIDE:LOUVER	5
	305J370220	5J370220	SEAL:STOPPER:LOUVER	5
	305J370230	5J370230	LOUVER	5
	305J370240	5J370240	SEAL:GUIDE:LOUVER:UPPER	5
	305J370250	5J370250	SEAL:GUIDE:LOUVER:LOWER	5
	305J370260	5J370260	SPRING:PRESSURE:DUPLX	4
	305J370270	5J370270	IMAGING UNIT:ASS'Y	13
	305J370280	5J370280	COVER:LEFT:ASS'Y	5
	305J370290	5J370290	PAPER TRAY:ASS'Y	14
	305J370300	5J370300	HOUSING:TRANSPORT SUB-UNIT:ASS'Y	19
	305J370310	5J370310	HOLDER:GUIDE PLATE:REVERSE	4
	305J370320	5J370320	GUIDE PLATE:EXIT:MIDDLE	4
	305J370330	5J370330	FEELER:PAPER FEED SENSOR	4
	305J370340	5J370340	ROLLER:GUIDE:EXIT:MIDDLE	4
	305J370350	5J370350	RESISTOR:TRANSFER/SEPARATION	20

	Part.No.	Alternative.	Description	Fig.No.
	305J370360	5J370360	RESISTOR:EARTH:PAPER FEED	36
	305J370370	5J370370	RESISTOR:EARTH:EXIT:DISCHARGE SECTION	22
⊙	305J370380	5J370380	FUSING UNIT - 230V	21
	305J370390	5J370390	GROUND PLATE:EXIT:1	22
	305J370400	5J370400	GROUND PLATE:EXIT:2	22
	305J370410	5J370410	SPRING:PRESSURE:EXIT:INNER	23
	305J370420	5J370420	FEELER:L	23
	305J370430	5J370430	SPRING:PRESSURE:EXIT:OUTER	23
	305J370440	5J370440	FEELER:R	23
	305J370450	5J370450	LINK:SLIDE	23
	305J370460	5J370460	LINK:TURN	23
	305J370470	5J370470	COMPRESSION SPRING	23
	305J370480	5J370480	TORSION SPRING:1	23
	305J370490	5J370490	TORSION SPRING:2	23
⊙	305J370500	5J370500	PCB:EGB-PMF3PIP:ASS'Y	31
⊙	305J370510	5J370510	DC SOLENOID:FUSING:ASS'Y	36
	305J370520	5J370520	SHADEING PLATE:HARNNESS:POWER SUPPLY UNIT	31
	305J370530	5J370530	GROUND PLATE:REGISTRATION ROLLER	36
	305J370540	5J370540	GROUND PLATE:BASE:PSU	36
⊙	305J370550	5J370550	INTERMEDIATE TRANSFER SECTION:ASS'Y	18
⊙	305J370560	5J370560	TRANSFER ROLLER:SUB-ASS'Y	19
	305J370570	5J370570	HINGE:TORQUE LIMITER	4
	305J370580	5J370580	HOLDER:USB	31
	305J370590	5J370590	BASE:USB	31
	305J370600	5J370600	COVER:PAPER EXIT SUB-UNIT:M100:PIP-MF3	4
	305J370610	5J370610	DECAL:NAME PLATE:PIP-MF3:EXP	38
⊙	305J370620	5J370620	PCB:OPU	6
⊙	305J370630	5J370630	COVER:FRONT	4
⊙	305J370640	5J370640	GUIDE:EXIT:PIP-MF3:ASS'Y	22
	305J370650	5J370650	CABLE:USB-HOST	31
	305J370660	5J370660	CABLE:OPERATION PANEL	31
⊙	305J370670	5J370670	PCB:CTL:MPCL:PIP:ASS'Y	31
⊙	305J370680	5J370680	PCB:FAX:EU/AP/CHN:ASS'Y	31
⊙	305J370690	5J370690	OPERATION PANEL:EU:M100:ASS'Y (T.B.D.)	6
⊙	305J370700	5J370700	OPERATION PANEL:AUS:M100:ASS'Y (T.B.D.)	6
	305J370820	5J370820	EEPROM:M24C16-WBN6(REV.S/W/G)	28
	305J370910	5J370910	BUSH:PLAIN SHAFT BEARING:DIA6:DIA10:9	22
	305JH70200	5JH70200	RIVET:MM5	1
	305JH70410	5JH70410	BINDING SELF-TAPPING SCREW:3X6	11
	305JH74060	5JH74060	RETAINING RING - M4	15,19,22,24
	305JH77280	5JH77280	SIDE FENCE GEAR	17
⊙	305JK70110	5JK70110	GEAR - 16Z	16
	305JK70140	5JK70140	SCREW- M4X6	28
	305JK70160	5JK70160	PAPER FEED ROLLER	15
⊙	305JK70170	5JK70170	TEMPERATURE & HUMIDITY SENSOR	28
⊙	305JK70180	5JK70180	FAN:AXIAL:MM80:25MM	28
	305JK70190	5JK70190	STEPPED SCREW - M5	1
	305JK70210	5JK70210	STOPPER:PHOTOINTERRUPTOR	22,29
	305JK70220	5JK70220	BRACKET - PHOTOINTERRUPTOR	29
	305JK70240	5JK70240	SEAL:FAN:2	29

• Parts with "⊙" indicate regular maintenance parts.

Part.No.	Alternative.	Description	Fig.No.	Part.No.	Alternative.	Description	Fig.No.
305JK70250	5JK70250	CLUTCH/BRAKE BRACKET	33	305JK70770	5JK70770	BASE - EXIT END FENCE	1
305JK70260	5JK70260	COLOR DECAL - MAGENTA	33	305JK70780	5JK70780	REAR END FENCE - EXIT	1
305JK70270	5JK70270	SPACER:RUBBER FOOT	33	305JK70790	5JK70790	FRONT END FENCE - EXIT	1
305JK70280	5JK70280	RUBBER FOOT:MACHINE OR COPIER:MM10	33	305JK70800	5JK70800	SHEET:FRAME:RIGHT	35
305JK70290	5JK70290	EXIT DUCT	29	305JK70810	5JK70810	COVER:RIGHT:EU	2
305JK70300	5JK70300	DUCT	29	305JK70830	5JK70830	KEY:FUSING	35
305JK70310	5JK70310	BASE:HINGE:COVER:FRONT	33	305JK70840	5JK70840	BRACKET:BRAKE:COVER:UPPER	35
305JK70320	5JK70320	PIN:HINGE	33	305JK70860	5JK70860	CAUTION DECAL - TRANSFER BELT	38
305JK70330	5JK70330	CLUTCH/BRAKE SPRING	33	305JK70890	5JK70890	PAPER TRAY - FRONT	16
305JK70340	5JK70340	CLUTCH SPRING	33	305JK70900	5JK70900	CASSETTE COVER	16
305JK70350	5JK70350	CLUTCH/BRAKE CASE	33	305JK70910	5JK70910	DUPLEX GUIDE	15
305JK70360	5JK70360	GEAR - 14Z	34	305JK70920	5JK70920	LEFT SIDE FENCE	16
305JK70370	5JK70370	FUSING DUCT	34	305JK70930	5JK70930	RIGHT SIDE FENCE	16
305JK70380	5JK70380	RACK SUPPORTER	34	305JK70940	5JK70940	EXTENSION TRAY	16
305JK70390	5JK70390	FRAME:UPPER LEFT	34	305JK70950	5JK70950	END FENCE	16
305JK70400	5JK70400	FRAME:UPPER RIGHT	34	305JK70980	5JK70980	BOTTOM PLATE STOPPER	16
305JK70410	5JK70410	SPRING:PLATE:AIO	34	305JK70990	5JK70990	COMPRESSION SPRING	16
305JK70420	5JK70420	SHAFT	34	305JK71000	5JK71000	LEVER PAPER VOLUME SENSOR	16
305JK70430	5JK70430	COMPRESSION SPRING	34	305JK71010	5JK71010	COMPRESSION SPRING	16
305JK70440	5JK70440	TWIST SPRING - LEFT	34	305JK71020	5JK71020	SHEET - CASSETTE	16
305JK70450	5JK70450	GROUNDING PLATE - HIGH VOLTAGE	34	305JK71030	5JK71030	EARTH SPRING	16
305JK70460	5JK70460	SPRING:PLATE:AIO:BLACK	34	305JK71040	5JK71040	HOLDER SHEET	16
305JK70470	5JK70470	SPRING PLATE:LSU:POSITIONING	34	305JK71050	5JK71050	END FENCE - PRESSURE	16
305JK70480	5JK70480	BRACKET:OPTICAL UNIT:FRAME:UPPER	34	305JK71060	5JK71060	COMPRESSION SPRING	16
305JK70490	5JK70490	SPRING:CUSHION:FRAME:UPPER	34	305JK71070	5JK71070	SHAFT - PAPER FEED ROLLER	15
305JK70500	5JK70500	UPPER FRONT DUCT	34	305JK71080	5JK71080	GROUNDING SPRING	35
305JK70510	5JK70510	PIN:PLATE:DEVELOPMENT UNIT	34	305JK71090	5JK71090	SPRING PLATE:PAPER TRAY:POSITIONING	35
305JK70520	5JK70520	GROUND PLATE - DCHIP	34	305JK71100	5JK71100	FEELER - PAPER END SENSOR	35
305JK70540	5JK70540	GEAR - 20Z	34	305JK71110	5JK71110	FEELER HOLDER	35
305JK70550	5JK70550	SHEET:BASE:FRAME	34	305JK71120	5JK71120	HOLDER:PAPER TRAY:POSITIONING	35
305JK70560	5JK70560	GROUND PLATE - FRONT	34	305JK71130	5JK71130	DAMPING INSULATION	17
305JK70570	5JK70570	GROUND PLATE - LEFT	35	305JK71140	5JK71140	SIDE FENCE DECAL	38
305JK70590	5JK70590	HARNES GUIDE	29	305JK71160	5JK71160	HOLDER:RESISTOR:BASE	35
305JK70600	5JK70600	FRAME - TRANSFER DRIVE UNIT	24	305JK71170	5JK71170	SPRING PLATE:RESISTOR:BASE:LOWER	35
305JK70610	5JK70610	GEAR COVER	35	305JK71180	5JK71180	SPRING PLATE:RESISTOR:BASE:UPPER	35
305JK70620	5JK70620	GROUNDING WIRE	24	305JK71190	5JK71190	COMPRESSION SPRING	17
305JK70630	5JK70630	MOTOR BRACKET	24	305JK71200	5JK71200	FRCTION PAD	17
305JK70640	5JK70640	FRAME - ON-OFF DRIVE UNIT	24	305JK71210	5JK71210	DECAL - BLACK	35
305JK70650	5JK70650	SHIELDING PLATE	24	305JK71220	5JK71220	COLOR DECAL - CYAN	35
305JK70660	5JK70660	DC MOTOR:ON-OFF:ASSY	24	305JK71230	5JK71230	DECAL - YELLOW	35
305JK70670	5JK70670	MOTOR - DC24V 1.6W	24	305JK71240	5JK71240	REGISTRATION ROLLER - DRIVEN	19
305JK70680	5JK70680	FRAME - TRANSPORT DRIVE UNIT	24	305JK71260	5JK71260	TENSION SPRING	19
305JK70690	5JK70690	MOTOR BRACKET	24	305JK71270	5JK71270	REGISTRATION SENSOR FEELER	19
305JK70700	5JK70700	GROUNDING PLATE	24	305JK71280	5JK71280	TORSION SPRING	19
305JK70710	5JK70710	FRAME - DUPLEX DRIVE UNIT	24	305JK71290	5JK71290	GUIDE SHEET - REGISTRATION	19
305JK70720	5JK70720	MEMORY COVER	1	305JK71300	5JK71300	REGISTRATION GUIDE	19
305JK70730	5JK70730	INNER COVER - EXIT	1	305JK71310	5JK71310	GEAR - 14Z	19
305JK70740	5JK70740	CASSETTE COVER	1	305JK71330	5JK71330	DRIVE GEAR - 14Z	19
305JK70750	5JK70750	LOGO PLATE - KYM	38	305JK71340	5JK71340	RIGHT FRAME - FRONT COVER	2
305JK70760	5JK70760	CUSHION - IMAGING UNIT	35	305JK71350	5JK71350	LEFT FRAME - FRONT COVER	2

• Parts with "⊙" indicate regular maintenance parts.

Part.No.	Alternative.	Description	Fig.No.	Part.No.	Alternative.	Description	Fig.No.
305JK71360	5JK71360	RIGHT LOCK LEVER	2	305JK72180	5JK72180	GROUND PLATE - FUSING	30
305JK71370	5JK71370	LEFT LOCK LEVER	2	305JK72190	5JK72190	DENSITY SENSOR:ASS'Y	32
305JK71380	5JK71380	LOCK GUIDE	2	305JK72200	5JK72200	BUSHING - 19MM	18
305JK71390	5JK71390	LOCK LEVER ARM	2	305JK72210	5JK72210	SPRING - FEELER	30
305JK71400	5JK71400	TENSION SPRING	2	305JK72220	5JK72220	SENSOR FEELER	30
305JK71410	5JK71410	GROUND WIRE	2	305JK72230	5JK72230	COMPRESSION SPRING	18
305JK71430	5JK71430	GUIDE PLATE SPRING - MIDDLE	2	305JK72240	5JK72240	SENSOR HOLDER	30
305JK71460	5JK71460	TORSION SPRING - FEELER	2	305JK72250	5JK72250	GROUNDING PLATE	30
305JK71480	5JK71480	STOPER BAND	2	305JK72320	5JK72320	CLEANER DECAL - DENSITY SENSOR	32
305JK71490	5JK71490	BRAKE RACK - FRONT COVER	2	305JK72330	5JK72330	LEFT HOLDER - TRANSFER BELT UNIT	18
305JK71500	5JK71500	STOPPER:FEELER:PAPER FEED SENSOR	2	305JK72340	5JK72340	RIGHT HOLDER - TRANSFER BELT UNIT	18
305JK71510	5JK71510	WASHER - 0.8X10.8MM	2,22	305JK72350	5JK72350	RIGHT SLIDER - TRANSFER BELT UNIT	18
305JK71520	5JK71520	COMPRESSION SPRING	19	305JK72360	5JK72360	LEFT SLIDER - TRANSFER BELT UNIT	18
305JK71530	5JK71530	COMPRESSION SPRING HOLDER	2	305JK72370	5JK72370	STOPPER SHEET - PHOTOINTERRUPTOR	30
305JK71540	5JK71540	GROUND WIRE	19	305JK72380	5JK72380	USED TONER SENSOR	30
305JK71550	5JK71550	ELECTRODE PLATE - LINK	19	305JK72390	5JK72390	FEELER - SET SENSOR	30
305JK71560	5JK71560	ELECTRODE PLATE - CONTACT POINT	19	305JK72400	5JK72400	SENSOR BRACKET	30
305JK71570	5JK71570	LEFT HOOK	2	305JK72410	5JK72410	SPRING PLATE-COLLECTION BOTTLE	36
305JK71580	5JK71580	RIGHT FHOOK	2	305JK72420	5JK72420	LEFT SLIDE ARM	3
305JK71590	5JK71590	COMPRESSION SPRING - GRIP	2	305JK72430	5JK72430	RIGHT SLIDE ARM	3
305JK71600	5JK71600	COMPRESSION SPRING:HOUSING:TRANSPORT	4	305JK72440	5JK72440	LEFT TORSION SPRING - ARM	3
305JK71610	5JK71610	SPACER:GROUND PLATE:TRANSPORT	19	305JK72450	5JK72450	RIGHT TORSION SPRING - ARM	3
305JK71630	5JK71630	GRIP DECAL	20,38	305JK72460	5JK72460	SLIDE RAIL:LEFT	36
305JK71670	5JK71670	GROUND WIRE:TRANSFER/SEPARATION	19	305JK72470	5JK72470	SLIDE RAIL:RIGHT	36
305JK71680	5JK71680	GROUND WIRE- DUPLEX	19	305JK72490	5JK72490	SEPARATION PLATE - SLIDE	3
305JK71830	5JK71830	GUIDE ROLLER - EXIT	22	305JK72500	5JK72500	TORSION SPRING - SEPARATION PLATE	3
305JK71840	5JK71840	DRIVEN ROLLER - EXIT	22	305JK72510	5JK72510	LEFT SLIDE STOPPER - SCANNER	3
305JK71870	5JK71870	EXIT GUIDE PLATE	22	305JK72520	5JK72520	TORSION SPRING- SLIDE STOPPER	3
305JK71880	5JK71880	DECAL:HIGHTEMPERATURE	2,38	305JK72530	5JK72530	STOPPER PLATE - SCANNER	3
305JK71890	5JK71890	DUPLEX ROLLER	3	305JK72540	5JK72540	RIGHT SLIDE STOPPER - SCANNER	3
305JK71910	5JK71910	TERMINAL BOARD	29	305JK72550	5JK72550	COMPRESSION SPRING - STOPPER	3
305JK71920	5JK71920	POWER SUPPLY CORD -250V 10A EU	39	305JK72560	5JK72560	UPPER SUPPORTING PLATE - COVER	3
305JK71930	5JK71930	BRACKET - POWER SUPPLY UNIT	29	305JK72570	5JK72570	RIGHT ACTUATOR - STOPPER	3
305JK71950	5JK71950	GROUND PLATE:SHAFT:IMAGING UNIT	36	305JK72580	5JK72580	WIRE - SCANNER LOCK	3
305JK71960	5JK71960	2NDTERMINAL- TRANSFER	29	305JK72590	5JK72590	PLATE:SHAFT	36
305JK71990	5JK71990	BRACKET - MAIN SWITCH	29	305JK72600	5JK72600	ARM - LOCK LEVER	3
305JK72000	5JK72000	TERMINAL:AIO	29	305JK72610	5JK72610	BRACKET - ARM	3
305JK72010	5JK72010	HARNESS CLAMP HOLDER	36	305JK72620	5JK72620	TENSION SPRING -LOCK ARM	3
305JK72020	5JK72020	HARNESS COVER	29	305JK72630	5JK72630	GROUND PLATE:SUPPORTING PLATE:LEFT	3
305JK72030	5JK72030	CUSHION - HARNESS	29	305JK72640	5JK72640	GROUND PLATE:SUPPORTING PLATE:RIGHT	3
305JK72050	5JK72050	BRACKET SAFETY SWITCH	29	305JK72650	5JK72650	UPPER COVER	4
305JK72060	5JK72060	LINK - SAFETY SWITCH	29	305JK72660	5JK72660	RIGHT HARNESS COVER -SCANNER	4
305JK72070	5JK72070	TORSION SPRING - SAFETY SWITCH	29	305JK72670	5JK72670	LEFT HARNESS COVER - SCANNER	4
305JK72080	5JK72080	TENSION SPRING - SAFETY SWITCH	29	305JK72690	5JK72690	COVER - INTERFACE	4
305JK72090	5JK72090	COMPRESSION SPRING - SAFETY SWITCH	29	305JK72700	5JK72700	REAR COVER - EU	4
305JK72100	5JK72100	1ST TERMINAL - TRANSFER	29	305JK72800	5JK72800	ADF:ASS'Y	7
305JK72110	5JK72110	HARNESS COVER	25	305JK72810	5JK72810	FRAME:ADF	7
305JK72120	5JK72120	ARM - SAFETY SWITCH	30	305JK72820	5JK72820	COVER:FRONT:ADF	7
305JK72130	5JK72130	LEVER - SAFETY SWITCH	30	305JK72830	5JK72830	COVER:REAR:ADF	7
305JK72140	5JK72140	CONNECTOR HOLDER - FUSING	30	305JK72840	5JK72840	BASE:SLIDER	7

• Parts with "⊙" indicate regular maintenance parts.

Part.No.	Alternative.	Description	Fig.No.	Part.No.	Alternative.	Description	Fig.No.
305JK72850	5JK72850	SIDE FENCE:RIGHT	7	⊙ 305JK73390	5JK73390	PCB:DIP:SET SENSOR	10
305JK72860	5JK72860	SIDE FENCE:LEFT	7	305JK73400	5JK73400	COIL SPRING:PLATE	8
305JK72870	5JK72870	EXTENSION TRAY:ADF	7	305JK73410	5JK73410	PLATE	8
305JK72880	5JK72880	PAPER STOPPER:ADF	7	305JK73420	5JK73420	SHEET:GUIDE	8
305JK72890	5JK72890	PLATE:GUIDE ROD:SCANNER	11	305JK73430	5JK73430	FLANGE:BUSHING	8
305JK72900	5JK72900	SLIDE RAIL:CARRIAGE	11	⊙ 305JK73440	5JK73440	FEED ROLLER:ADF	8
305JK72910	5JK72910	GEAR:SCANNER:ASS'Y	11	305JK73450	5JK73450	EXIT ROLLER:ADF	8
305JK72920	5JK72920	PULLEY:CARRIAGE:ASS'Y	11	305JK73460	5JK73460	COIL SPRING:FEED ROLLER:DRIVEN	8
305JK72930	5JK72930	FLAT CABLE:CARRIAGE	11	305JK73470	5JK73470	FEELER:SENSOR:FEED	8
305JK72940	5JK72940	WIRE:GROUND WIRE:PLATE:MOTOR	11	305JK73480	5JK73480	ARM:PRESSURE RELEASE	8
305JK72950	5JK72950	COIL SPRING:PULLEY:CARRIAGE	11	305JK73490	5JK73490	DRIVEN ROLLER:FEED	8
305JK72960	5JK72960	CASE:SCANNER:UPPER	11	305JK73500	5JK73500	STAY:FEED	8
305JK72970	5JK72970	CORE:EMI:CARRIAGE	11	305JK73510	5JK73510	GUIDE:FEED:DRIVEN	8
⊙ 305JK72980	5JK72980	INVERTOR:CARRIAGE	11	305JK73520	5JK73520	SHAFT:DRIVEN ROLLER:FEED	8
305JK72990	5JK72990	BRACKET:HOOK:PLATEN:PEEN	11	305JK73530	5JK73530	FIX STAND:SENSOR:FEED	8
305JK73000	5JK73000	COVER:CARRIAGE:UPPER	11	⊙ 305JK73540	5JK73540	PCB:DIP:FEED	10
305JK73010	5JK73010	FLUORESCENT TUBE:CARRIAGE	11	305JK73550	5JK73550	SHEET:FEELER:FEED	9
⊙ 305JK73020	5JK73020	CCD:MODULE:ASS'Y	11	305JK73560	5JK73560	PLATE:REAR	9
305JK73030	5JK73030	COVER:INVERTOR	11	305JK73570	5JK73570	GEAR:FEED:44T	9
305JK73040	5JK73040	HOOK:PLATEN	11	305JK73580	5JK73580	GEAR:EXIT:41T	9
305JK73050	5JK73050	TENSION SPRING:HOOK:PLATEN	11	305JK73590	5JK73590	GEAR:20T39T	9
305JK73060	5JK73060	LEVER:HOOK:PLATEN	11	305JK73600	5JK73600	GEAR:MIDDLE:32T	9
305JK73070	5JK73070	HOOK:ADF	7	305JK73610	5JK73610	GEAR:21T37T	9
305JK73080	5JK73080	LEVER:LOCK:COVER:UPPER	12	305JK73620	5JK73620	GEAR:51T	9
305JK73090	5JK73090	TORSION SPRING:LEVER:LOCK:COVER:UPPER	12	305JK73630	5JK73630	GEAR:DRIVE:39T55T	9
305JK73100	5JK73100	PLATE:COVER:UPPER	12	305JK73640	5JK73640	PLATE:MOTOR	9
305JK73110	5JK73110	TORSION SPRING:LOCK:COVER:UPPER	12	305JK73650	5JK73650	GEAR:DRIVE:40T56T	9
305JK73130	5JK73130	CASE:SCANNER:LOWER	12	⊙ 305JK73660	5JK73660	PCB:DIP:ON OFF DETECTOR	10
305JK73140	5JK73140	ADF DECAL - PICK-UP PAPER JAM	7,38	305JK73670	5JK73670	ROLLER:BACK UP:FEED	9
305JK73150	5JK73150	GUIDE ROD:SCANNER	12	305JK73680	5JK73680	COIL SPRING:SHUTTER:PAPER	9
305JK73160	5JK73160	PLATE:STUD:IDLER	12	305JK73690	5JK73690	SHUTTER:PAPER	9
305JK73170	5JK73170	GROUND PLATE:SCANNER:LEFT	12	⊙ 305JK73700	5JK73700	SEPARATION PAD:ADF	9
305JK73180	5JK73180	LEFT GROUND PLATE - SCANNER	4	305JK73710	5JK73710	FRAME:UPPER	9
305JK73210	5JK73210	DECAL:CAUTION:SET:ORIGINAL:NA	38	305JK73720	5JK73720	COIL SPRING:FEELER:SET SENSOR	9
305JK73230	5JK73230	ARM:SENSOR	7	305JK73730	5JK73730	FEELER:SET SENSOR	9
305JK73240	5JK73240	COIL SPRING:ARM:SENSOR	7	305JK73740	5JK73740	HOLDER:SEPARATION UNIT	9
305JK73250	5JK73250	SHEET:ADF:KILO	7	305JK73750	5JK73750	SHEET:STOPPER:EXIT	9
305JK73260	5JK73260	COIL SPRING:GEAR:SLIDE	7	305JK73760	5JK73760	DISCHARGE BRUSH:EXIT	10
305JK73270	5JK73270	GEAR:SLIDE	7	⊙ 305JK73770	5JK73770	SEPARATION UNIT:ADF	10
305JK73280	5JK73280	CABLE:ADF	7	⊙ 305JK73780	5JK73780	DC STEPPER MOTOR	10
305JK73290	5JK73290	PADDLE:ROLLER:EXIT	7	305JK73790	5JK73790	HINGE:LEFT	10
305JK73300	5JK73300	DRIVEN ROLLER:EXIT	7	305JK73800	5JK73800	HINGE:RIGHT	10
305JK73310	5JK73310	SHAFT:DRIVEN ROLLER:EXIT	7	305JK73820	5JK73820	SPEAKER - DIA50	30
305JK73320	5JK73320	COIL SPRING:EXIT	7	305JK73880	5JK73880	CASE - CORE	30
305JK73330	5JK73330	COVER:EXIT	8	305JK73890	5JK73890	BRACKET - SPEAKER	30
⊙ 305JK73340	5JK73340	PCB:DIP:ADF	8	305JK73900	5JK73900	SHEET:COVER:HARNESS:ADF	4
⊙ 305JK73350	5JK73350	COVER:ADF	8	305JK73910	5JK73910	TIMING BELT - 60S2M280	25
305JK73360	5JK73360	SHEET:PRESSURE PLATE	8	305JK73930	5JK73930	DISCHARGE BRUSH EXIT	22
305JK73370	5JK73370	FLANGE:BUSHING:GEAR	8	305JK73940	5JK73940	SPACER - 0.13 X 12MM	25
305JK73380	5JK73380	FRAME:LOWER	8	305JK73960	5JK73960	SHAFT - 6 X 39.5MM	25

• Parts with "⊙" indicate regular maintenance parts.

	Part.No.	Alternative.	Description	Fig.No.		Part.No.	Alternative.	Description	Fig.No.
	305JK73970	5JK73970	SHAFT - 6 X 55.3MM	25		5HM40460	5HM40460	CLAMP	24,28,33
	305JK73980	5JK73980	SHAFT - 6 X 26.7MM	25		5HM40620	5HM40620	RETAINING RING - M4	18,19,22,33,37
	305JK73990	5JK73990	SHAFT - 6 X 21.9MM	25		5HM70470	5HM70470	HARNESS CLAMP - LWS-0711	28
	305JK74010	5JK74010	GEAR - 37Z	25					
	305JK74020	5JK74020	GEAR - 19/38Z	25					
	305JK74030	5JK74030	GEAR - 28/36Z	25					
	305JK74040	5JK74040	GEAR - 20/35Z	25					
	305JK74050	5JK74050	GEAR - 29Z	25					
	305JK74060	5JK74060	GEAR - 22/31Z	25					
	305JK74070	5JK74070	GEAR - 21Z	25					
	305JK74080	5JK74080	GEAR - 28Z	25					
	305JK74090	5JK74090	GEAR - 31Z	25					
	305JK74100	5JK74100	GEAR - 19Z	25					
	305JK74110	5JK74110	GEAR - 29Z	25					
	305JK74120	5JK74120	REGIST DRIVE GEAR	26					
	305JK74130	5JK74130	GEAR:EXIT ROLLER	19,22					
	305JK74150	5JK74150	GEAR - 54Z	26					
	305JK74170	5JK74170	GEAR - 35Z	26					
	305JK74180	5JK74180	GEAR - 21Z	26					
	305JK74190	5JK74190	GEAR - 19Z	26					
	305JK74230	5JK74230	GEAR - 21/45Z	26					
	305JK74240	5JK74240	GEAR - 24/57Z	26					
	305JK74250	5JK74250	GEAR - 16/42Z	26					
	305JK74270	5JK74270	GEAR - 16/51Z	26					
	305JK74280	5JK74280	GEAR - 21/73Z	26					
	305JK74290	5JK74290	GEAR - 40/65Z	26					
	305JK74300	5JK74300	GEAR - 17/42Z	26					
	305JK74310	5JK74310	GEAR:AIO:JOINT:2	26					
	305JK74320	5JK74320	PULLEY - 18T	26					
	305JK74330	5JK74330	REGISTRATION ROLLER - DRIVE	20					
	305JK74450	5JK74450	SCREW - M3X8	22,28					
⊙	305JK74541	5JK74541	SCANNER:ASS'Y	11					
	305JK74550	5JK74550	COVER:SCANNER:FRONT:2	12					
	305JK74570	5JK74570	BASE:ADHESION	14					
	305JK74580	5JK74580	COVER:BASE	17					
	305JK74610	5JK74610	ROLLER:DRIVEN:EXIT:OUTER	22					
	305JK74630	5JK74630	GUIDE:PLATE:EXIT:OUTER	22					
	305JK74680	5JK74680	SPACER:GROUND PLATE:FLAT CABLE:SCANNER	30					
⊙	305JK74810	5JK74810	STEPPER MOTOR - DC 14.8W	26					
	305JK75320	5JK75320	SCREW:M3X10	1					
	305JK75330	5JK75330	TAPPING SCREW:3X16	1,33					
	305JK75340	5JK75340	BINDING SELF-TAPPING SCREW:4X10	1					
	305JK75350	5JK75350	SCREW - M3X8	28					
	305JK75370	5JK75370	MICRO SWITCH:D3V-16506-3C25	28					
	305JK75390	5JK75390	FERRITE CORE - ZCAT1518-0730	28					
	305JK75400	5JK75400	FERRITE CORE:33.5X6.5X20	28					
	305JK75480	5JK75480	BASE:HIGH VOLTAGE:3	29					
	5HM32240	5HM32240	EDGE SADDLE - LES-1010	28					
	5HM32560	5HM32560	HARNESS CLAMP	28					
	5HM40130	5HM40130	BUSHING - 6X10X6	15,24					

• Parts with "⊙" indicate regular maintenance parts.

**KYOCERA Document Solutions America, Inc.**

**Headquarters**

225 Sand Road,  
Fairfield, New Jersey 07004-0008, USA  
Phone: +1-973-808-8444  
Fax: +1-973-882-6000

**Latin America**

8240 NW 52nd Terrace Dawson Building, Suite 100  
Miami, Florida 33166, USA  
Phone: +1-305-421-6640  
Fax: +1-305-421-6666

**KYOCERA Document Solutions Canada, Ltd.**

6120 Kestrel Rd., Mississauga, ON L5T 1S8,  
Canada  
Phone: +1-905-670-4425  
Fax: +1-905-670-8116

**KYOCERA Document Solutions  
Mexico, S.A. de C.V.**

Calle Arquimedes No. 130, 4 Piso, Colonia Polanco  
Chapultepec, Delegacion Miguel Hidalgo,  
Distrito Federal, C.P. 11560, México  
Phone: +52-555-383-2741  
Fax: +52-555-383-7804

**KYOCERA Document Solutions Brazil, Ltd.**

Av.Tambore,1180 Mod.B-09 CEP 06460-000  
Tambore-Barueri-SP, Brazil  
Phone: +55-11-4195-8496  
Fax: +55-11-4195-6167

**KYOCERA Document Solutions  
Australia Pty. Ltd.**

Level 3, 6-10 Talavera Road North Ryde N.S.W, 2113,  
Australia  
Phone: +61-2-9888-9999  
Fax: +61-2-9888-9588

**KYOCERA Document Solutions  
New Zealand Ltd.**

1-3 Parkhead Place, Albany, Auckland 1330, New Zealand  
Phone: +64-9-415-4517  
Fax: +64-9-415-4597

**KYOCERA Document Solutions Asia Limited**

16/F.,Mita Centre, 552-566, Castle Peak Road  
Tsuenwan, NT, Hong Kong  
Phone: +852-2610-2181  
Fax: +852-2610-2063

**KYOCERA Document Solutions (Thailand) Corp.,  
Ltd.**

335 Ratchadapisek Road, Bangsue, Bangkok 10800,  
Thailand  
Phone: +66-2-586-0333  
Fax: +66-2-586-0278

**KYOCERA Document Solutions Singapore Pte  
Ltd.**

12 Tai Seng Street #04-01A,  
Luxasia Building, Singapore 534118  
Phone: +65-6741-8733  
Fax: +65-6748-3788

**KYOCERA Document Solutions Hong Kong  
Limited**

16/F.,Mita Centre, 552-566, Castle Peak Road  
Tsuenwan, NT, Hong Kong  
Phone: +852-2429-7422  
Fax: +852-2423-2159

**KYOCERA Document Solutions  
Taiwan Corporation**

6F., No.37, Sec. 3, Minguan E. Rd.,  
Zhongshan Dist., Taipei 104, Taiwan R.O.C.  
Phone: +886-2-2507-6709  
Fax: +886-2-2507-8432

**KYOCERA Document Solutions Korea Co., Ltd.**

18F, Kangnam bldg, 1321-1,  
Seocho-Dong, Seocho-Gu, Seoul, Korea  
Phone: +822-6933-4050  
Fax: +822-747-0084

**KYOCERA Document Solutions  
India Private Limited**

First Floor, ORCHID CENTRE  
Sector-53, Golf Course Road, Gurgaon 122 002, India  
Phone: +91-0124-4671000  
Fax: +91-0124-4671001

**KYOCERA Document Solutions Europe B.V.**

Bloemlaan 4, 2132 NP Hoofddorp,  
The Netherlands  
Phone: +31-20-654-0000  
Fax: +31-20-653-1256

**KYOCERA Document Solutions Nederland B.V.**

Beechavenue 25, 11 19 RA Schiphol-Rijk,  
The Netherlands  
Phone: +31-20-5877200  
Fax: +31-20-5877260

**KYOCERA Document Solutions (U.K.) Limited**

8 Beacontree Plaza,  
Gillette Way Reading, Berkshire RG2 0BS,  
United Kingdom  
Phone: +44-118-931-1500  
Fax: +44-118-931-1108

**KYOCERA Document Solutions Italia S.p.A.**

Via Verdi, 89/91 20063 Cernusco s/N.(MI),  
Italy  
Phone: +39-02-921791  
Fax: +39-02-92179-600

**KYOCERA Document Solutions Belgium N.V.**

Sint-Martinusweg 199-201 1930 Zaventem,  
Belgium  
Phone: +32-2-7209270  
Fax: +32-2-7208748

**KYOCERA Document Solutions France S.A.S.**

Espace Technologique de St Aubin  
Route de l'Orme 91195 Gif-sur-Yvette CEDEX,  
France  
Phone: +33-1-69852600  
Fax: +33-1-69853409

**KYOCERA Document Solutions Espana S.A.**

Edificio Kyocera, Avda. de Manacor No.2,  
28290 Las Matas (Madrid), Spain  
Phone: +34-91-6318392  
Fax: +34-91-6318219

**KYOCERA Document Solutions Finland Oy**

Atomitie 5C, 00370 Helsinki,  
Finland  
Phone: +358-9-47805200  
Fax: +358-9-47805390

**KYOCERA Document Solutions  
Europe B.V., Amsterdam (NL) Zürich Branch**

Hohlstrasse 614, 8048 Zürich,  
Switzerland  
Phone: +41-44-9084949  
Fax: +41-44-9084950

**KYOCERA Document Solutions  
Deutschland GmbH**

Otto-Hahn-Strasse 12, 40670 Meerbusch,  
Germany  
Phone: +49-2159-9180  
Fax: +49-2159-918100

**KYOCERA Document Solutions Austria GmbH**

Eduard-Kittenberger-Gasse 95, 1230 Vienna,  
Austria  
Phone: +43-1-863380  
Fax: +43-1-86338-400

**KYOCERA Document Solutions Nordic AB**

Esbogatan 16B 164 75 Kista, Sweden  
Phone: +46-8-546-550-00  
Fax: +46-8-546-550-10

**KYOCERA Document Solutions Norge NUF**

Postboks 150 Oppsal, 0619 Oslo,  
Norway  
Phone: +47-22-62-73-00  
Fax: +47-22-62-72-00

**KYOCERA Document Solutions Danmark A/S**

Ejby Industrivej 60, DK-2600 Glostrup,  
Denmark  
Phone: +45-70223880  
Fax: +45-45765850

**KYOCERA Document Solutions Portugal Lda.**

Rua do Centro Cultural, 41 (Alvalade) 1700-106 Lisboa,  
Portugal  
Phone: +351-21-843-6780  
Fax: +351-21-849-3312

**KYOCERA Document Solutions  
South Africa (Pty) Ltd.**

49 Kyalami Boulevard,  
Kyalami Business Park 1685 Midrand, South Africa  
Phone: +27-11-540-2600  
Fax: +27-11-466-3050

**KYOCERA Document Solutions Russia LLC**

Botanichesky pereulok 5, Moscow, 129090,  
Russia  
Phone: +7(495)741-0004  
Fax: +7(495)741-0018

**KYOCERA Document Solutions Middle East**

Dubai Internet City, Bldg. 17,  
Office 157 P.O. Box 500817, Dubai,  
United Arab Emirates  
Phone: +971-04-433-0412

**KYOCERA Document Solutions Inc.**

2-28, 1-chome, Tamatsukuri, Chuo-ku  
Osaka 540-8585, Japan  
Phone: +81-6-6764-3555  
<http://www.kyoceradocumentsolutions.com>

© 2012 KYOCERA Document Solutions Inc.

 is a trademark of KYOCERA Corporation