



**Advanced Card Systems Ltd.**  
Card & Reader Technologies

# ACR39T-A1 (USB Type A) Smart Card Reader



Technical Specifications V1.06



## Table of Contents

<b>1.0.</b>	<b>Introduction .....</b>	<b>3</b>
1.1.	Smart Card Reader.....	3
1.2.	Ease of Integration.....	3
<b>2.0.</b>	<b>Features .....</b>	<b>4</b>
<b>3.0.</b>	<b>Supported Card Types .....</b>	<b>5</b>
3.1.	MCU Cards .....	5
3.2.	Memory-based Smart Cards.....	5
<b>4.0.</b>	<b>Typical Applications.....</b>	<b>6</b>
<b>5.0.</b>	<b>Technical Specifications.....</b>	<b>7</b>
<b>6.0.</b>	<b>Opening the SIM card cover .....</b>	<b>9</b>



## 1.0. Introduction

The ACR39T-A1 hails the new and modern technology in the world of smart card readers. It is a SIM-sized smart card reader that is small in size but packs a lot of features. Being a compact and powerful smart card reader, the ACR39T-A1 brings together sophisticated technology with modern design to meet rigorous requirements in various smart card-based applications.



### 1.1. Smart Card Reader

ACR39T-A1 supports ISO 7816 Class A, B, and C smart cards (5 V, 3 V, and 1.8 V) and works well with most memory cards and microprocessor cards with the T=0 and T=1 protocol. It also features a USB Full Speed interface and a smart card read/write speed of up to 600 Kbps. This makes it ideal for a broad range of solutions, such as Physical and Logical Access Control, Digital Signature, and Online Banking.

### 1.2. Ease of Integration

The ACR39T-A1 has PC/SC and CCID compliance, making it easy to install and use as it is specifically designed to be integrated into any computer-based environment. Its drivers are compatible with operating systems such as Windows®, Linux®, Mac OS®, and Solaris. In addition, ACR39T-A1 may now be used on mobile devices running the Android™ platform with versions 3.1 and later.

With its numerous features, the ACR39T-A1 is clearly the perfect smart card reader for your smart card solution.



## 2.0. Features

- USB Full Speed Interface
- USB Type A Connector
- Plug and Play – CCID support brings utmost mobility
- Includes protective USB cap
- Smart Card Reader:
  - Contact Interface:
    - Supports ISO 7816 Class A, B, and C (5 V, 3 V, 1.8 V) and 1.6V SIM-sized cards
    - Supports microprocessor cards with T=0 and T=1 protocol
    - Supports memory cards
    - Supports PPS (Protocol and Parameters Selection)
    - Features Short Circuit Protection
- Application Programming Interface:
  - Supports PC/SC
  - Supports CT-API (through wrapper on top of PC/SC)
- Supports Android™ 3.1 and later<sup>1</sup>
- Compliant with the following standards:
  - EN 60950/IEC 60950
  - ISO 7816
  - PC/SC
  - CCID
  - CE
  - FCC
  - WEEE
  - RoHS 2
  - REACH
  - VCCI (Japan)
  - Microsoft® WHQL

---

<sup>1</sup>Uses an ACS-defined Android Library



## 3.0. Supported Card Types

### 3.1. MCU Cards

ACR39T-A1 operates with MCU cards following either the T=0 or T=1 protocol.

### 3.2. Memory-based Smart Cards

ACR39T-A1 works with several memory-based smart cards such as:

- Cards following the I2C bus protocol (free memory cards) with maximum 128 bytes page with capability, including:
  - Atmel®: AT24C01/02/04/08/16/32/64/128/256/512/1024
  - SGS-Thomson: ST14C02C, ST14C04C
  - Gemplus: GFM1K, GFM2K, GFM4K, GFM8K
- Cards with intelligent 1 KB EEPROM with write-protect function, including:
  - Infineon®: SLE4418, SLE4428, SLE5518 and SLE5528
- Cards with intelligent 256-byte EEPROM with write-protect function, including:
  - Infineon®: SLE4432, SLE4442, SLE5532 and SLE5542

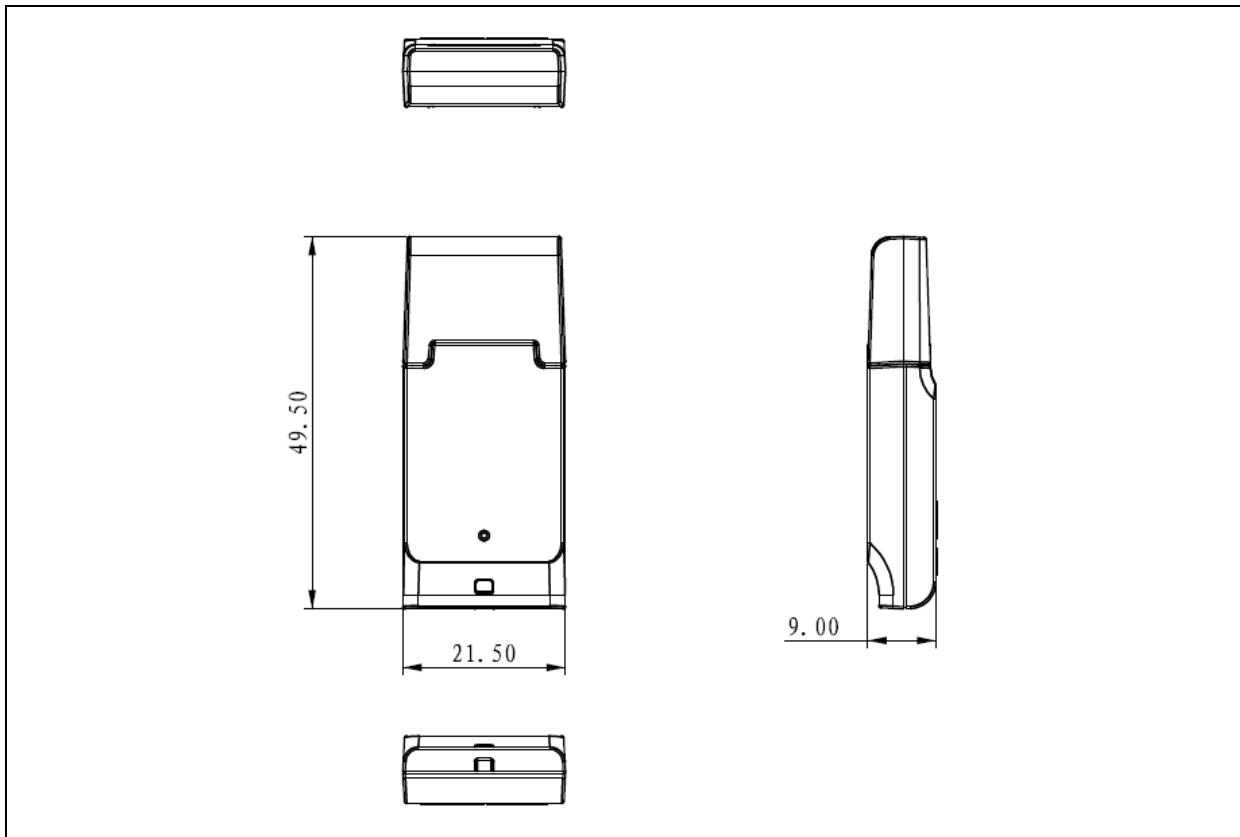


## 4.0. Typical Applications

- e-Government
- e-Banking and e-Payment
- e-Healthcare
- Public Key Infrastructure
- Network Security
- Access Control
- Loyalty Program



## 5.0. Technical Specifications



### Physical Characteristics

Dimensions ..... 49.5 mm (L) × 21.5 mm (W) × 9.0 mm (H)  
Weight..... 8.5 g  
Color ..... Black

### USB Host Interface

Protocol..... USB CCID  
Connector Type..... Standard Type A  
Power Source..... From USB port  
Speed..... USB Full Speed (12 Mbps)  
Supply Voltage..... 5 V

### Contact Smart Card Interface

Number of Slot ..... 1 SIM-sized Card Slot (optional with MicroSIM-sized)  
Standard ..... ISO 7816 Parts 1-3, Class A, B, C (5 V, 3 V, 1.8 V)  
Protocol..... T=0; T=1; Memory Card Support  
Supply Current ..... Max. 50 mA  
Smart Card Read/Write Speed..... 9.6 Kbps – 600 Kbps  
Short Circuit Protection ..... (+5) V/GND on all pins  
Clock Frequency ..... 4.80 MHz  
Card Connector..... Contact  
Card Insertion Cycles..... Min. 10,000

### Built-in Peripheral

LED ..... Green

### Application Programming Interface

PC-linked Mode..... PC/SC  
..... CT-API (through wrapper on top of PC/SC)

### Operating Conditions

Temperature..... 0 °C – 60 °C  
Humidity ..... Max. 90% (non-condensing)  
MTBF ..... 500,000 hrs



**Certifications/Compliance**

EN 60950/IEC 60950, ISO 7816, USB Full Speed, PC/SC, CCID, CE, FCC, WEEE, RoHS 2, REACH  
VCCI (Japan), Microsoft® WHQL

**Device Driver Operating System Support**

Windows® XP, Windows Vista®, Windows® 7, Windows® 8, Windows® 8.1, Windows® 10  
Windows® Server 2003, Windows® Server 2008, Windows® Server 2008 R2, Windows® Server 2012,  
Windows® Server 2012 R2, Windows® Server 2016  
Linux®, Mac OS®, Solaris, Android™ 3.1 and later





## 6.0. Opening the SIM card cover

1. Open the SIM card cover from the back part of the reader.



2. Pull out the back cover from the top end.





3. Remove the cover completely to insert/remove the SIM card to/from the reader.



Android is a trademark of Google LLC.  
Atmel is registered trademark of Atmel Corporation or its subsidiaries, in the US and/or other countries.  
Infineon is a registered trademark of Infineon Technologies AG.  
Linux® is the registered trademark of Linus Torvalds in the U.S. and other countries.  
Mac OS is a trademark of Apple Inc., registered in the U.S. and other countries.  
Microsoft, Windows, and Windows Vista are registered trademarks of Microsoft Corporation in the United States and/or other countries.