



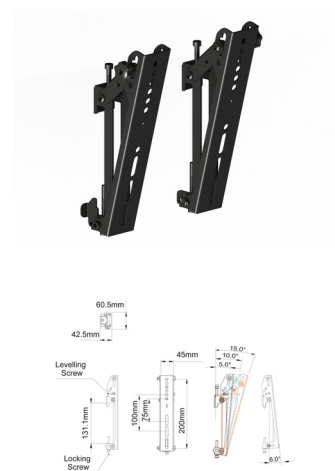
Multibrackets 3910 monitorikiinnikkeen lisävaruste

Tuotemerkki : Multibrackets

Tuotekoodi: 3910

Tuotteen nimi : 3910

Multibrackets 3910. Tuotetyyppi: Litteän näytön kiinnitysvarsi, Tuotteen väri: musta, Kotelon materiaali: Terästä. Paino: 1,5 kg, Tuotteen leveys: 230 mm, Tuotteen syvyys: 68,5 mm. Pakkauksen korkeus: 45 mm, Pakkauksen leveys: 135 mm, Pakkauksen syvyys: 260 mm. Lukumäärä per pakkaus: 2 kpl. Toimituspakkauksen leveys: 27,5 cm, Toimituspakkauksen pituus: 48 cm, Toimituspakkauksen korkeus: 15,3 cm



Features		Packaging data	
Product type *	Flat panel mount arm	Package width	135 mm
Product colour	Black	Package depth	260 mm
Housing material	Steel	Package weight	1.1 kg
Maximum weight capacity	30 kg	Packaging content	
Mounting type	Rail	Quantity per pack	2 pc(s)
Tilt angle range	0 - 15°	Logistics data	
Compatibility	M Pro Series	Shipping (inner) case width	27.5 cm
Weight & dimensions		Shipping (inner) case length	48 cm
Weight	1.5 kg	Shipping (inner) case height	15.3 cm
Width	230 mm	Shipping (inner) case gross weight	12.3 kg
Depth	68.5 mm	Products per shipping (inner) case	10 pc(s)
Height	39 mm	Products per pallet (EU)	240 pc(s)
Packaging data			
Package height	45 mm		



7350073733910

Disclaimer. The information published here (the "Information") is based on sources that can be considered reliable, typically the manufacturer, but this Information is provided "AS IS" and without guarantee of correctness or completeness. The Information is only indicative and can be changed at any time without notification. No rights can be based on the Information. Suppliers or aggregators of this Information do not accept any liability with regard to the content of (web)pages and other documents, including its Information. The publisher of the Information can not be held liable for the content of 3rd party websites that are linking this Information or are linked to from this Information. You as the User of the Information are solely responsible for the choice and usage of this Information. You are not entitled to transfer, copy or otherwise multiply or distribute the Information. You are obliged to follow the directions of the copyright owner(s) with regard to the use of the Information. Exclusively Dutch law is applicable. With regard to price and stock data on the site, the publisher followed a number of starting points, which are not necessarily relevant for your private or business circumstances. Therefore, the price and stock data are only indicative and are subject to changes. You are personally responsible for the way you use and apply this information. As a user of the Information or sites or documents in which this Information is included, you will adhere to standard fair use including avoidance of spamming, ripping, intellectual-property violations, privacy violations, and any other illegal activity.