

BRACKETS AND ADAPTERS FOR POSITIONING UNITS

UPTWBA WALL MOUNT

Made of die-cast aluminum

Epoxy polyester powder painting, RAL9002 colour

Wall bracket with internal cable channel

To combine with PTCC1 pole mount or WCWGC corner mount adapters for the installation on several surfaces

Unit weight: 3.1kg (6.6lb)

UPTWBTAB PARAPET BRACKET

Made of die-cast aluminum

Epoxy polyester powder painting, RAL9002 colour

Internal cable management

Unit weight: 1.6kg (3.5lb)

UCCMA CEILING BRACKET FOR UPSIDE DOWN MOUNTING AND WORKING OF ULISSE COMPACT

Made of galvanized and painted steel

Safety cord in AISI316L stainless steel

Internal cable management

Unit weight: 6.4kg



UPTWBA



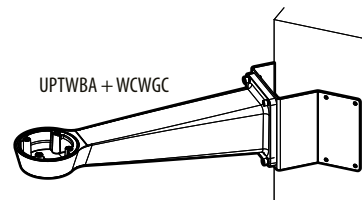
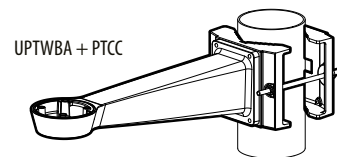
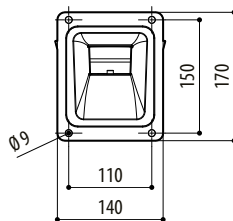
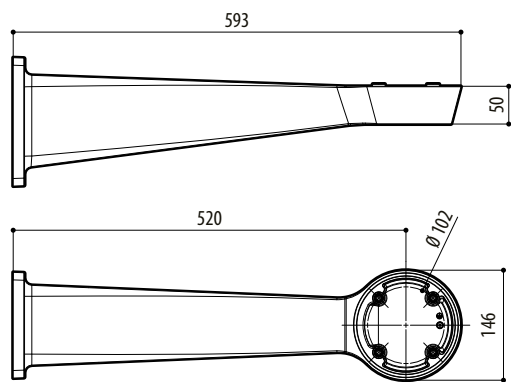
UPTWBTAB



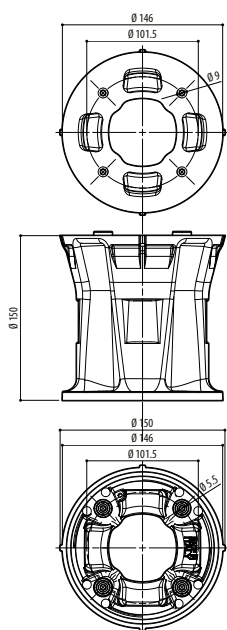
ULISSE COMPACT IR + UPTWBTAB



ULISSE COMPACT + UCCMA



UPTWBA



UPTWBTAB