



Ultra IR Speed Dome

Orion DX IR Series

- 2 Mega Pixel Full HD Camera
- Quad Stream @ full HD 50/60fps
- Ultra Wide Dynamic Range
- 25/30fps WDR 3 Shutter 120dB
- EIS Ernitec Image Stabilization
- 30x Optical 10 x digital zoom Lens
- True Day & Night (ICR)
- IR distance up to 200m
- POE + 4 Wire
- 3 year Warranty

Hi Performance Sensor

This new full HD IP speed dome camera features the latest 2 mega pixel resolution (1080p) sensor with 25/30 pictures per second using wide dynamic range. At night, or in any environment where there is low/zero lighting. This PTZ is also able to provide effective illumination to the objects 200 meters away, and also deliver crystal clear and image using our high quality 30x optical zoom lens.

Ultra Wide Dynamic Range

The Orion DX IR benefits from 3 shutter 120dB Ultra Wide Dynamic Range performance making this dome ideal for surveillance in areas with strong variations in light, for instance close to large windows and entrances or where the sunlight creates both very bright zones and dark shadows.

EIS

Orion DX IR is equipped with EIS (Ernitec Image Stabilization) which enables the speed dome to capture objects at distance with very high precision without the image shake you get from other domes.

Hi-PoE +

Orion DX-IR offers easy and reliable installation with the optional ELECTRA-P-60W-4P High Power 4 wire PoE+ 60 watt injector which simplifies installation since only one cable is needed to carry power as well as video and PTZ controls.

Protection

Orion DX-IR are IP66 protection against dust, rain and snow and can operate in extreme cold temperatures. The cameras' extreme cold control function ensures safe start-up from -45 °C (-49 °F). For extreme heat we have an operating temperature of +60°C (140°F) for an absolute maximum of four hours.

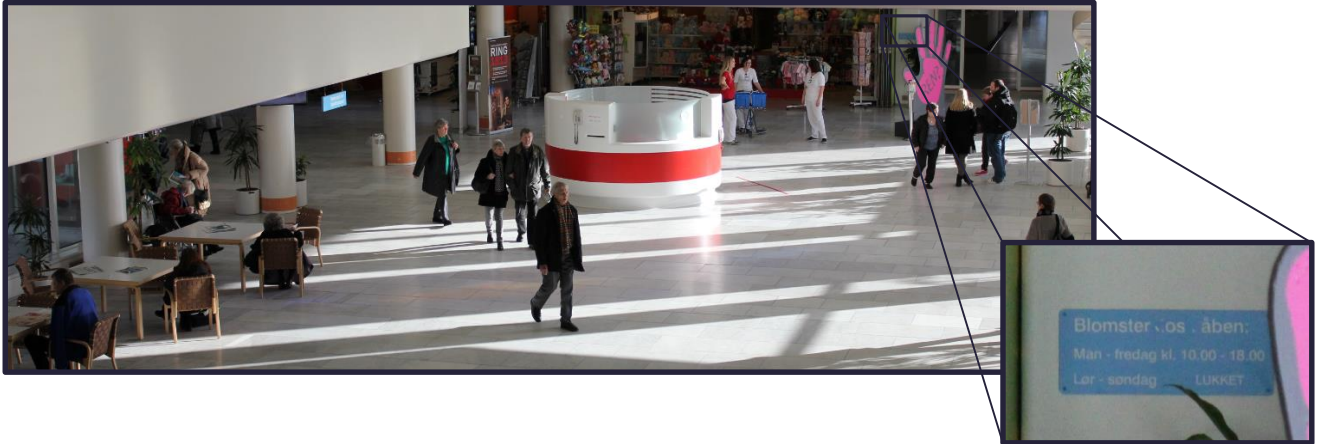
Designed For Constant Use

Orion IP domes are designed for round-the-clock pan/tilt/zoom operation in outdoor environments, and can be automatically directed to 256 pre-set positions, with endless 360° pan, they enable the surveillance of an extremely wide area.

Ernitec Orion DX IR

30x Optical Zoom

Fitted with 30x optical and 8x digital zoom including autofocus lens. Using the tour guard function enables the camera to patrol the area. Whereby the camera can automatically go to different preset positions to check on different areas of a scene. When the camera is fully zoomed out you get a fantastic wide angle overview image from the dome when running full HD.



120dB UWDR (Ultra wide dynamic range)

The domes come fitted as standard with 3 shutter ultra wide dynamic range enabling the dome to be fitted in extreme lighting conditions. With excellent colour reproduction.

Auto Tracking

The cameras support auto tracking, features include; Built-in Video Intelligence Program, Adjustable Maximum Tilt and Pan Angle Setting, Adjustable Detection Area Percentage / Sensitivity, Home Function Support, Guard Timer Setting. Function Activation by License Key. EDP No: 0070-10015



IR Night Vision

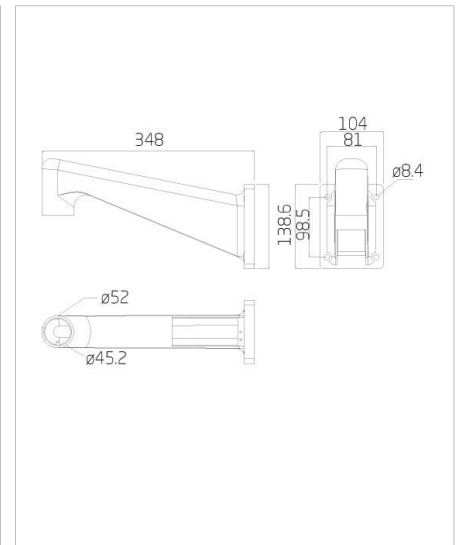
At night, or in any environment where there is low/zero lighting, Ernitec Orion DX-IR series is able to provide effective illumination to the objects 200 meters away, and also deliver crystal clear and image with high quality 30x optical zoom lens at extreme distances. IR lamps are not visible, they are covered by black plastic to avoid detection.

Optional Mounting Accessories

Gooseneck Mount

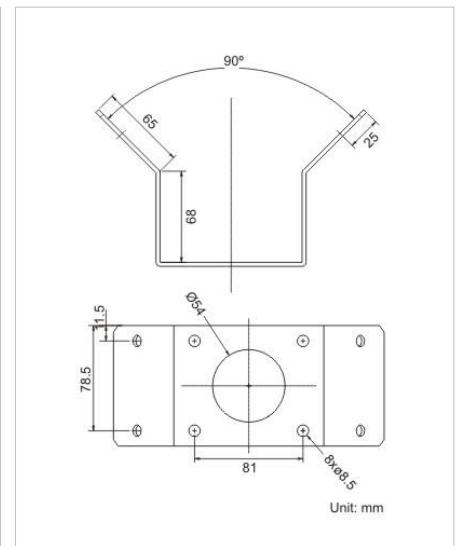
Dimensions: 384×104×136.5 mm
Weight: 1.75 kg
Supplied with rubber washer and 4x M8x12 screw .
Part number 0017-05205

Note: The Orion DX IR fits to this bracket using Adapter Ring 0070-10105 supplied with the dome.



Corner Plate

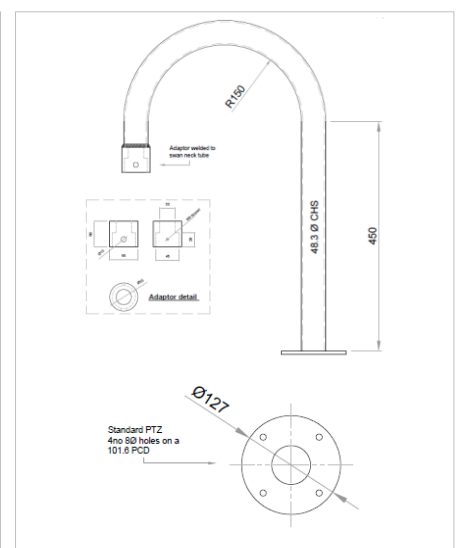
For mounting with Mini Gooseneck
Dimensions: 270×166×95 mm
Supplied with washer-8 x4, spring washer-8 x4, M8x16 screw x4 and M8 nut x4.
Part number 0017-05203



Swan Neck Pole Mount

Dimensions: 450 mm to Bend
Diameter: 48.3mm
Weight: 2.7 kg
Part number 0017-05220

Note: The Orion DX IR fits to this bracket using Adapter Ring 0070-10105 supplied with the dome.



Follow us on



ONVIF

© 2015 Ernitec. All rights reserved
www.ernitec.com

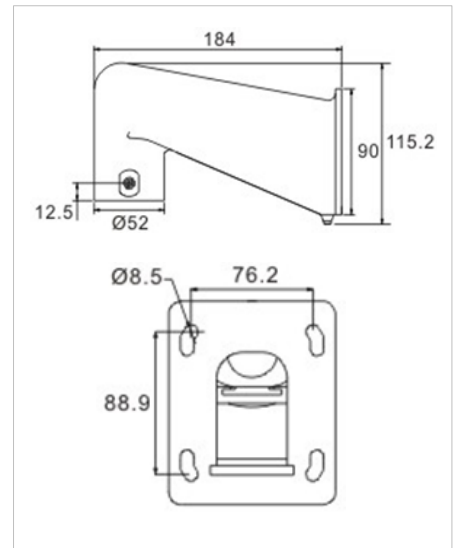
Ernitec
Tempovej 41
2750 Ballerup
Denmark

Optional Mounting Accessories

Mini Gooseneck Mount

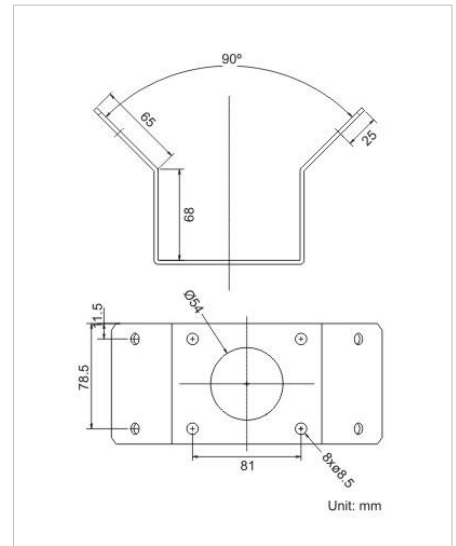
Dimensions: 184×104×115.2 mm
Weight: 0.6 kg
Supplied with rubber washer and 4x M8x12 screw .
Part number 0070-10007

Note: The Orion DX IR fits to this bracket using Adapter Ring 0070-10105 supplied with the dome.



Mini Corner Plate

For mounting with Mini Gooseneck
Dimensions: 270×166×95 mm
Supplied with washer-8 x4, spring washer-8 x4, M8x16 screw x4 and M8 nut x4.
Part number 0070-10004



Electra POE+ 4 Wire

4 Wire 60 Watt PoE + Injector for low temperatures below -40 °C
Part number ELECTRA-P-60W-4P



Optional Mounting Accessories

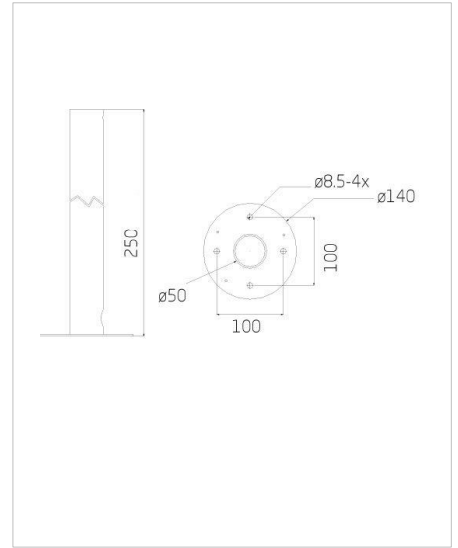
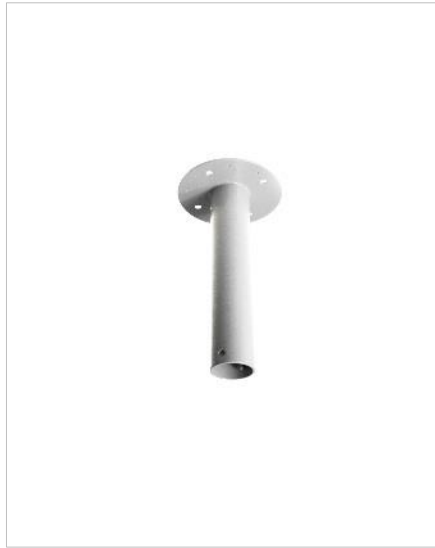
Straight Tube 25CM

ORION 25CM STRAIGHT TUBE

Dimensions $\varnothing 50 \times 250 \times \varnothing 140$ mm

Part number 0070-10025

Note: The Orion DX IR fits to this bracket using Adapter Ring 0070-10105 supplied with the dome.



Straight Tube 50CM and 100CM

ORION 50CM STRAIGHT TUBE

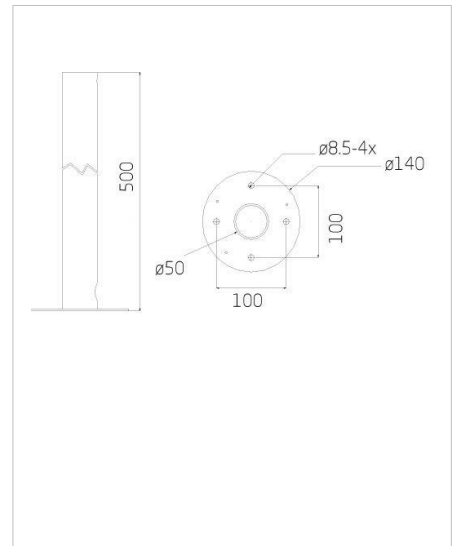
Part number 0017-05208

Dimensions $\varnothing 50 \times 500 \times \varnothing 140$ mm

Part number 0070-10100

Dimensions $\varnothing 50 \times 1000 \times \varnothing 140$ mm

Note: The Orion DX IR fits to this bracket using Adapter Ring 0070-10105 supplied with the dome.



Adapter Ring

Threaded Adapter Ring

Part number 0070-10105

(included in Box)



Optional Mounting Accessories

Pole Mount Thin

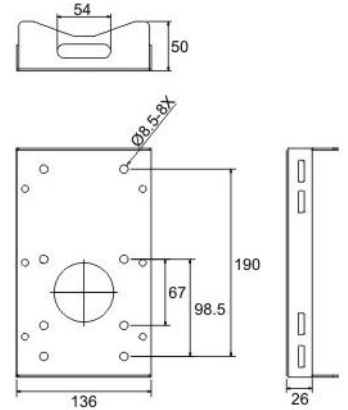
Dimensions: 232×136×60 mm

Diameter: 112~130 mm

Weight: 0.7 kg

Supplied with stainless steel straps x4, M8x16 screw x4, washer x4 and spring washer-8 x4.

Thin: Part number 0070-10002



Unit: mm

Pole Mounting Wide

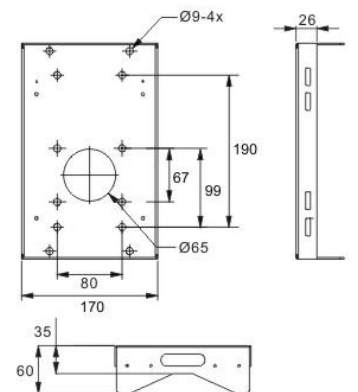
Dimensions: 270×170×60 mm

Diameter: 112~140 mm

Weight: 1 kg

Supplied with M8x16 screw x4, washer x4, stainless steel straps x4 and spring washer-8 x4.

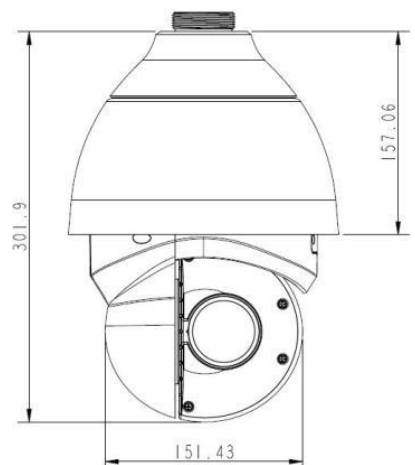
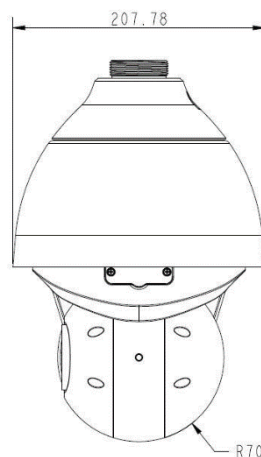
Part number 0070-10003



Unit: mm

Orion DX IR Housing

Orion housing drawing with dimensions.



Follow us on



ONVIF

© 2015 Ernitec. All rights reserved
www.ernitec.com

Ernitec
Tempovej 41
2750 Ballerup
Denmark

Technical Specification Orion DX 822IR

Camera	
Camera type	Outdoor PTZ HDR camera with IR range up to 200m
Effective Pixels	1920 (H) x 1080 (V)
Image Sensor	1/2.8" Sony Progressive Scan CMOS Sensor
Electronic Shutter Speed	1~1/10.000 sec.
Min. Illumination	0,02 Lux (Colour) 0,005 Lux (B/W) @ F1,6
Backlight Compensation	On/Off
Video	
Video Compression	H.264 Main Profile and MJPEG
Video Streaming	Multiple streams, H.264 + MJPEG / H.264 + H.264
Frame Rate	50 / 60 fps @ 1080P 50 / 60 fps @ 720P
Resolution	2M Full HD 1080P / SXGA/ 720P / XGA / SVGA / D1 / VGA / CIF / QVGA
Brightness	On / Off
AGC Control	Auto / Manual
White Balance	Auto / Indoor / Outdoor / ATW / Manual
UWDR (25/30fps)	3 shutter, up to 120dB
2D / 3D Noise	On/Off
Privacy Mask	20
Motion detection	On/Off
EIS	Ernitec Image Stabilization
Operation	
Pan Travel	360° endless
Tilt Travel	-20 ° ~ 200°
Manual Speed Pan	0.1° ~ 90°/s
Manual Speed Tilt	0.1° ~ 60°/s
Presets	256
Preset Accuracy	0.16°
Pan & Tilt Preset Speed	0.7° ~ 300°/s
Sequence	8
Auto-Pan	4
Cruise	8
Proportional Pan & Tilt	On / Off (Pan and tilt speed is proportional to zoom ratio)
Resume after Power Loss	Yes
Home Function	Preset, Sequence, Auto-Pan, Cruise
Zone Title	16
Network	
Network Interface	Ethernet (RJ45) 10/100Mbps
Supported protocol	IPv4/v6, TCP/IP, UDP, RTP, RTSP, HTTP, HTTPS, ICMP, FTP, SMTP, DHCP, PPPoE, Upnp, IGMP, SNMP, QoS, OnVif, ARP
Internet Browser	Internet Explorer (6.0+), Chrome, Firefox, Safari
Password Levels	User / Administrator
User Account	20
Event Notification	HTTP, FTP, SMTP

Lens	
Lens type	Motorized with P-iris
Magnification	30 X Zoom
Digital Zoom	10 x
Focal Length	4.3mm - 129mm
Focus Mode	Auto / Manual
Iris Range	F1.6 – F4.7
Iris	Auto / Manual
FOV	68.7° (Wide); 2.6° (Tele)
General	
OnVif	Yes, OnVif profile S
SD Card Slot	Optional SD card slot Micro SDXC 64GB supported (card is not included)
Audio	Two-way /G.711 /G.726
Digital In/out	4 /2
Analog Video Output	1Vpp, 75Ω, PAL BNC connector class 2
Input Power Voltage	24VAC
Power Consumption	Max. 44.W with IR & Heater on
POE Power	802.3at (PoE+) 4-Pair 60W
Power Connector	3 pins terminal block / RJ45
Fan	Yes
Environmental Casing	Outdoor
Languages	DE, ES, FR, IT, PT, RU, UK
Sustained Operating Temperature	-40°C ~ 50°C (-40°F ~ 122°F)
Operating Temperature	60°C (32°F ~ 140°F)
Absolute maximum 4 hours	
Humidity	10% ~ 90% RH
Dimensions	Ø 207.78 x 301.9 mm w/ Sunshield
Weight (Net)	Approx. 3800g
Warranty	3 years
Included accessories	Installation and Management software USB, 230VAC/24VAC 3A PSU Adaptor ring for Ernitec brackets
Part number	0070-05822IR

Optional accessories	
Mini Gooseneck	0017-05205
Corner Bracket used with Gooseneck	0017-05203
Swan neck Bracket	0017-05220
Mini Gooseneck	0070-10007
Corner Plate Mini	0070-10004
Ernitec 60W 4 wire PoE Injector	ELECTRA-P-60W-4P
ORION ST25, Orion straight tub	0017-05206
ORION 50cm straight tube	0017-05208
Pole Thin Direct Mounting	0070-10002
Pole Wide Direct Mounting	0070-10003
Auto Tracking	0070-10015



We reserve the right to introduce product modifications without notice

Follow us on



© 2015 Ernitec. All rights reserved
www.ernitec.com

Ernitec
Tempovej 41
2750 Ballerup
Denmark

R10EN0718