

PowerWalker VFI 6000 CG PF1

PowerWalker VFI 10000 CG PF1



PowerWalker VFI 6000 RMG(S) PF1

PowerWalker VFI 10000 RMG(S) PF1



Manual

Uninterruptible Power Supply System

Table of Contents

1. SAFETY AND EMC INSTRUCTIONS	1
1-1. TRANSPORTATION AND STORAGE.....	1
1-2. PREPARATION.....	1
1-3. INSTALLATION.....	1
1-4. CONNECTION WARNINGS.....	1
1-5. OPERATION.....	3
1-6. STANDARDS.....	3
2. INSTALLATION AND OPERATION	3
2-1. UNPACKING AND INSPECTION.....	3
2-2. REAR PANEL VIEW.....	4
2-3. RACK/TOWER INSTALLATION (ONLY FOR RT MODEL).....	5
2-4. SINGLE UPS INSTALLATION.....	6
2-5. UPS INSTALLATION FOR PARALLEL SYSTEM.....	8
2-6. SOFTWARE INSTALLATION.....	10
3. OPERATIONS	10
3-1. BUTTON OPERATION.....	10
3-2. LED INDICATORS AND LCD PANEL.....	11
3-3. AUDIBLE ALARM.....	12
3-4. SINGLE UPS OPERATION.....	12
3-5. PARALLEL OPERATION.....	15
3-6. ABBREVIATION MEANING IN LCD DISPLAY.....	17
3-7. LCD SETTING.....	17
3-8. OPERATING MODE/STATUS DESCRIPTION.....	23
3-9. FAULT CODE.....	26
3-10. WARNING INDICATOR.....	26
3-11. WARNING CODE.....	26
4. TROUBLE SHOOTING	27
5. STORAGE AND MAINTENANCE	28
5-1. STORAGE.....	28
5-2. MAINTENANCE.....	28
6. SPECIFICATIONS	29



Please comply with all warnings and operating instructions in this manual strictly. Save this manual properly and read carefully the following instructions before installing the unit. Do not operate this unit before reading through all safety information and operating instructions carefully.

1. Safety and EMC instructions

Please read carefully the following user manual and the safety instructions before installing the unit or using the unit!

1-1. Transportation and Storage

- ⚠ Please transport the UPS system only in the original package to protect against shock and impact.
- ⚠ The UPS must be stored in the room where it is ventilated and dry.

1-2. Preparation

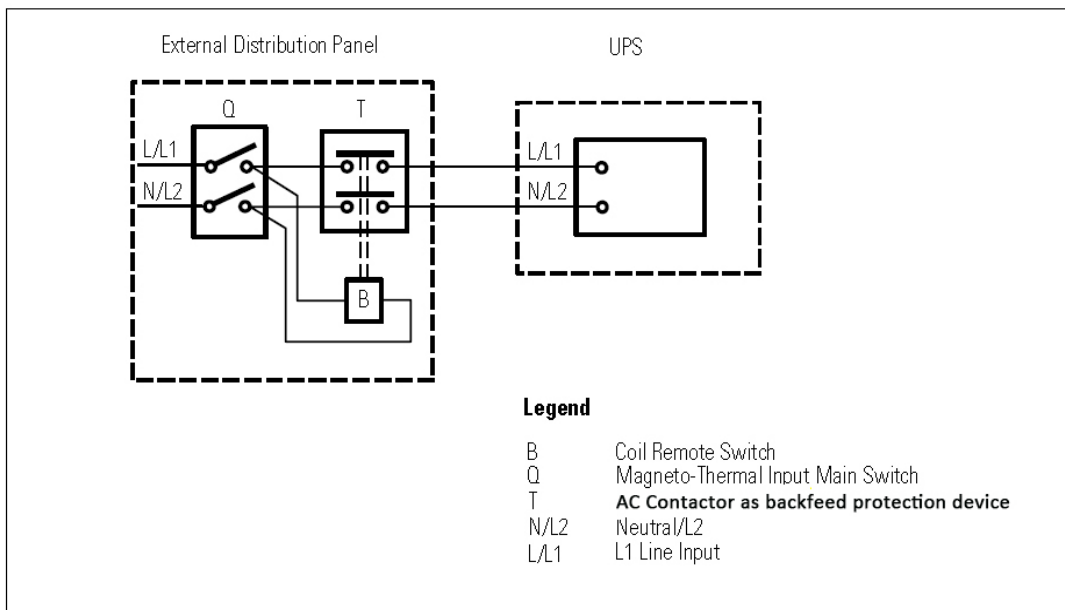
- ⚠ Condensation may occur if the UPS system is moved directly from cold to warm environment. The UPS system must be absolutely dry before being installed. Please allow at least two hours for the UPS system to acclimate the environment.
- ⚠ Do not install the UPS system near water or in moist environments.
- ⚠ Do not install the UPS system where it would be exposed to direct sunlight or nearby heater.
- ⚠ Do not block ventilation holes in the UPS housing.

1-3. Installation

- ⚠ Do not connect appliances or devices which would overload the UPS (e.g. big motor-type equipment)) to the UPS output sockets or terminal.
- ⚠ Place cables in such a way that no one can step on or trip over them.
- ⚠ Do not block air vents in the housing of UPS. The UPS must be installed in a location with good ventilation. Ensure enough space on each side for ventilation.
- ⚠ UPS has provided earthed terminal, in the final installed system configuration, equipotential earth bonding to the external UPS battery cabinets.
- ⚠ The UPS can be installed only by qualified maintenance personnel.
- ⚠ An appropriate disconnect device as short-circuit backup protection should be provided in the building wiring installation.
- ⚠ An integral single emergency switching device which prevents further supply to the load by the UPS in any mode of operation should be provided in the building wiring installation.
- ⚠ Connect the earth before connecting to the building wiring terminal.
- ⚠ Installation and Wiring must be performed in accordance with the local electrical laws and regulations.

1-4. Connection Warnings

- In accordance with safety standard EN-IEC 62040-1, installation has to be provided with a «Backfeed Protection» system, as for example a contactor, which will prevent the appearance of voltage or dangerous energy in the input mains during a mains fault. There is no standard backfeed protection inside of the UPS. Please isolate the UPS before working according to below diagram. The isolation device must be able to carry the UPS input current.



External backfeed protection wiring

⚠ There can be no derivation in the line that goes from the «Backfeed Protection» to the UPS, as the standard safety would be infringed.

- Warning labels should be placed on all primary power switches installed in places away from the device to alert the electrical maintenance personnel of the presence of a UPS in the circuit. The label will bear the following or an equivalent text:

Before working on this circuit

- Isolate Uninterruptible Power System (UPS)
- Then check for Hazardous Voltage between all terminals including the protective earth.

Risk of Voltage Backfeed

- This UPS should be connected with **TN** earthing system.
- The power supply for this unit must be single-phase rated in accordance with the equipment nameplate. It also must be suitably grounded.

WARNING

HIGH LEAKAGE CURRENT

EARTH CONNECTION ESSENTIAL

BEFORE CONNECTING SUPPLY

- Use of this equipment in life support applications where failure of this equipment can reasonably be expected to cause the failure of the life support equipment or to significantly affect its safety or effectiveness is not recommended. Do not use this equipment in the presence of a flammable anesthetic mixture with air, oxygen or nitrous oxide.
- Connect your UPS power module’s grounding terminal to a grounding electrode conductor.
- The UPS is connected to a DC energy source (battery). The output terminals may be live when the UPS is not connected to an AC supply.

1-5. Operation

- ⚠ Do not disconnect the earth conductor cable on the UPS or the building wiring terminals in any time since this would cancel the protective earth of the UPS system and of all connected loads.
- ⚠ The UPS system features its own, internal current source (batteries). The UPS output sockets or output terminal blocks may be electrically live even if the UPS system is not connected to the building wiring outlet.
- ⚠ In order to fully disconnect the UPS system, first press the "OFF" button and then disconnect the mains.
- ⚠ Ensure that no liquid or other foreign objects can enter into the UPS system.
- ⚠ The UPS can be operated by any individuals with no previous experience.

1-6. Standards

* Safety	
IEC/EN 62040-1	
* EMI	
Conducted Emission.....:IEC/EN 62040-2	Category C3
Radiated Emission.....:IEC/EN 62040-2	Category C3
*EMS	
ESD.....:IEC/EN 61000-4-2	Level 4
RS..... :IEC/EN 61000-4-3	Level 3
EFT..... :IEC/EN 61000-4-4	Level 4
SURGE..... :IEC/EN 61000-4-5	Level 4
CS..... :IEC/EN 61000-4-6	Level 3
Power-frequency Magnetic field..... :IEC/EN 61000-4-8	Level 4
Low Frequency Signals.....:IEC/EN 61000-2-2	
Warning: This is a product for commercial and industrial application in the second environment-installation restrictions or additional measures may be needed to prevent disturbances.	

2. Installation and Operation

There are two different types of online UPS: standard and long-run models. Please refer to the following model table.

Model	Type	Model	Type
6K/6KRT	standard model	6KL/6KRTL	Long-run model
10K/10KRT		10KL/10KRTL	

We also offer optional parallel function for these two types by request. The UPS with parallel function is called as "Parallel model". We have described detailed installation and operation of Parallel Model in the following chapter.

2-1. Unpacking and Inspection

Unpack the package and check the package contents. The shipping package contains:

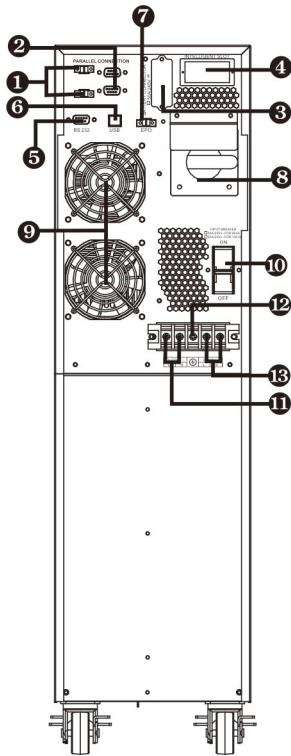
- One UPS
- One user manual
- One monitoring software CD

- One RS-232 cable (option)
- One USB cable
- One parallel cable (only available for parallel model)
- One share current cable (only available for parallel model)
- One battery cable (option)

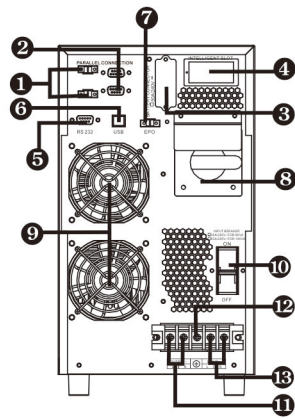
NOTE: Before installation, please inspect the unit. Be sure that nothing inside the package is damaged during transportation. Do not turn on the unit and notify the carrier and dealer immediately if there is any damage or lacking of some parts. Please keep the original package in a safe place for future use.

2-2. Rear Panel View

Tower Model



**Diagram 1: 6K/10K
Rear Panel**



**Diagram 2: 6KL/10KL
Rear Panel**

- 1) Share current port (only available for parallel model)
- 2) Parallel port (only available for parallel model)
- 3) External battery connector
- 4) Intelligent slot
- 5) RS-232 communication port
- 6) USB communication port
- 7) Emergency power off function connector (EPO connector)
- 8) Maintenance bypass switch
- 9) Cooling fan
- 10) Input circuit breaker
- 11) Output terminals
- 12) Ground
- 13) Input terminals

RT Model

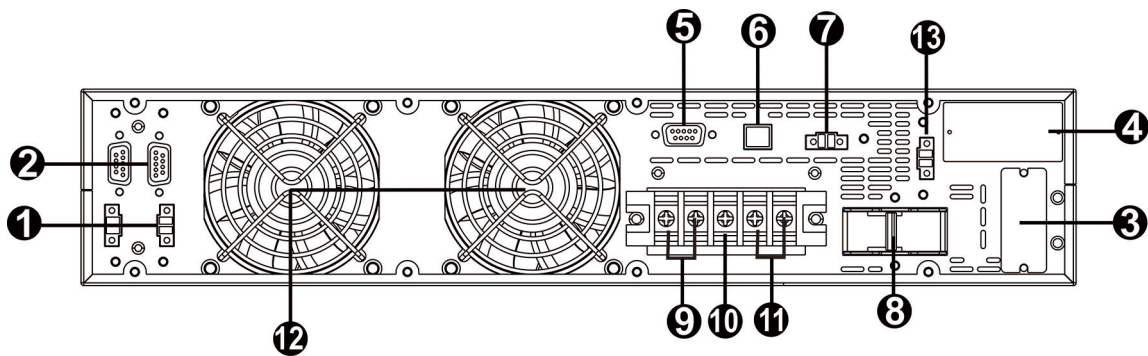


Diagram 1: UPS Rear Panel

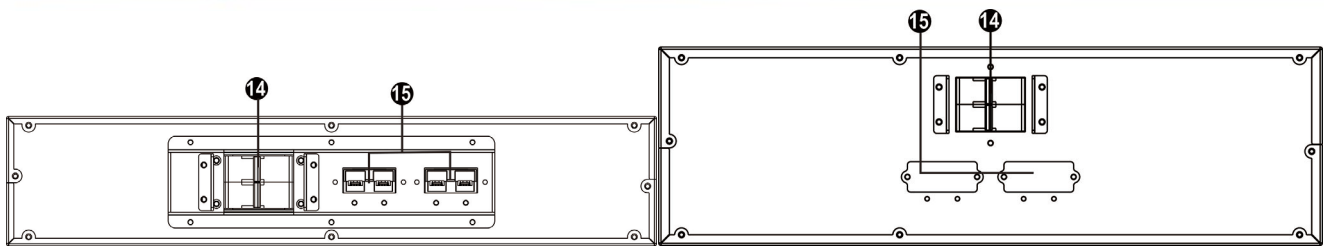


Diagram 2: 2U battery pack

Diagram 3: 3U battery pack

- 1) Share current port (only available for parallel model)
- 2) Parallel port (only available for parallel model)
- 3) External battery connector
- 4) Intelligent slot
- 5) RS-232 communication port
- 6) USB communication port
- 7) Emergency power off function connector (EPO connector)
- 8) Input circuit breaker
- 9) Output terminals
- 10) Ground
- 11) Input terminals
- 12) Cooling Fan
- 13) External maintenance bypass switch port
- 14) Battery pack output circuit breaker
- 15) External battery connector

2-3. Rack/Tower Installation (only for RT model)

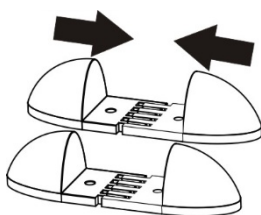
2-3-1 Tower Installation

The UPS system is shipped with two sets of feet and 6 extensions (2 short extensions plus 4 long extensions) that can be used to tower install the UPS module in 2U or UPS module with one battery bank in 4U.

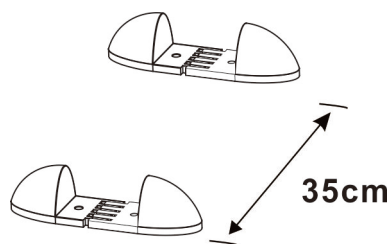
Install UPS module in 2U

Assemble two feet as one tower stand shown in step 1. Align the two stands approximately 35cm apart in step 2. Then, put UPS module in the stands as shown in step 3.

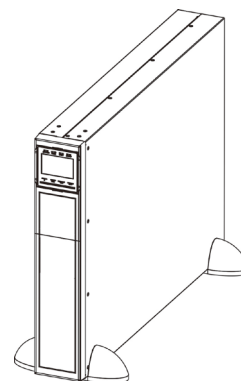
Step 1



Step 2



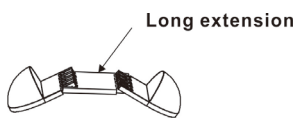
Step 3



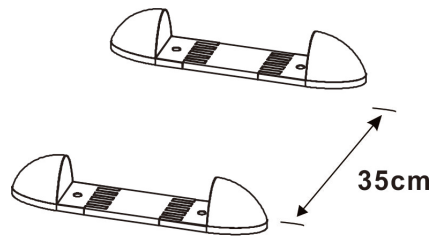
Install UPS module and one battery bank in 4U

Assemble two feet and one long extension as one tower stand shown in step 1. Align the two stands approximately 35cm apart in step 2. Then, put UPS module and battery bank in the stands as shown in step 3.

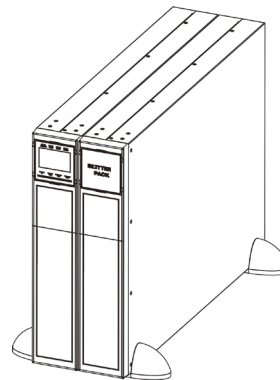
Step 1



Step 2



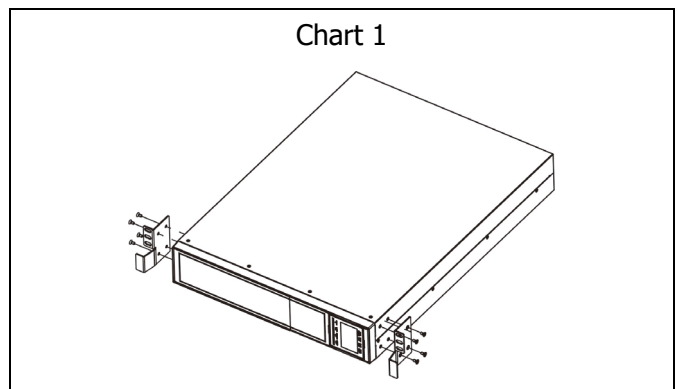
Step 3



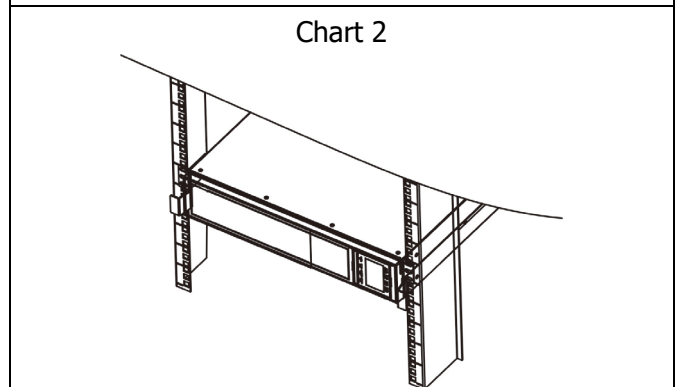
2-3-2 Rack Installation

Please follow below steps to mount UPS into 19" rack or rack enclosure.

Step 1: Attach mounting ears to the side mounting holes of UPS using the screws provided and the ears should face forward. Please refer to chart 1.



Step 2: Lift the UPS module and slide it into rack enclosure. Attach the UPS module to the rack with screws, nuts and washers (user-provided) through its mounting ears and into the rack rails. Please refer to chart 2.



2-4. Single UPS Installation

Installation and wiring must be performed in accordance with the local electric laws/regulations and execute the following instructions by professional personnel.

- 1) Make sure the mains wire and breakers in the building are enough for the rated capacity of UPS to avoid the hazards of electric shock or fire.

NOTE: Do not use the wall receptacle as the input power source for the UPS, as its rated current is less than the UPS's maximum input current. Otherwise the receptacle may be burned and destroyed.

- 2) Switch off the mains switch in the building before installation.
- 3) Turn off all the connected devices before connecting to the UPS.
- 4) Prepare wires based on the following table:

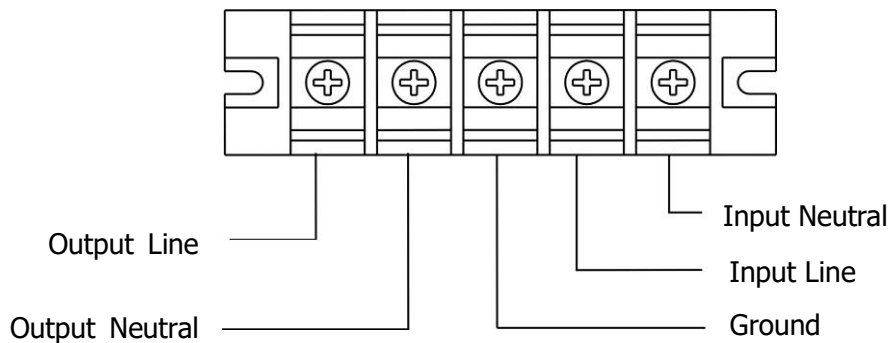
Model	Wiring spec (AWG)			
	Input	Output	Battery	Ground
6K/6KRT	10	10	/	10
6KL/6KRTL	10	10	10	10
10K/10KRT	8	8	/	8
10KL/10KRTL	8	8	8	8

NOTE 1: The cable for 6K/6KL/6KRT/6KRTL should be able to withstand over 50A current. It is recommended to use 10AWG or thicker wire for safety and efficiency.

NOTE 2: The cable for 10K/10KL/10KRT/10KRTL should be able to withstand over 63A current. It is recommended to use 8AWG or thicker wire for safety and efficiency.

NOTE 3: The selections for color of wires should be followed by the local electrical laws and regulations.

- 5) Remove the terminal block cover on the rear panel of UPS. Then connect the wires according to the following terminal block diagrams: (Connect the earth wire first when making wire connection. Disconnect the earth wire last when making wire disconnection!)



Terminal Block wiring diagram

NOTE 1: Make sure that the wires are connected tightly with the terminals.

NOTE 2: Please install the output breaker between the output terminal and the load, and the breaker should be qualified with leakage current protective function if necessary.

- 6) Put the terminal block cover back to the rear panel of the UPS.

Warning: (Only for standard model)

- Make sure the UPS is not turned on before installation. The UPS should not be turned on during wiring connection.
- For RT model, please also turn off battery breaker before installation.
- Do not try to modify the standard model to the long-run model. Never connect the standard model UPS to any other external battery pack. The RT standard model UPS should only connect to its supplied external battery pack. The battery type and voltage may be different. If you connect them together, it maybe causes the hazard of electric shock or fire!

Warning: (Only for long-run model)

- Make sure a DC breaker or other protection device between UPS and external battery pack is installed. If not, please install it carefully. Switch off the battery breaker before installation.



Warning:

- For standard battery pack, there is one DC breaker to disconnect the battery pack and the UPS. But for other external battery pack, make sure a DC breaker or other protection device between UPS and external battery pack is installed. If not, please install it carefully. Switch off the battery breaker before installation.

NOTE: Set the battery pack breaker in "OFF" position and then install the battery pack.

- Pay highly attention to the rated battery voltage marked on the rear panel. If you want to change the

numbers of the battery pack, please make sure you modify the setting simultaneously. The connection with wrong battery voltage may cause permanent damage of the UPS. Make sure the voltage of the battery pack is correct.

- Pay highly attention to the polarity marking on external battery terminal block, and make sure the correct battery polarity is connected. Wrong connection may cause permanent damage of the UPS.
- Make sure the protective earth ground wiring is correct. The wire current spec, color, position, connection and conductance reliability should be checked carefully.
- Make sure the utility input & output wiring is correct. The wire current spec, color, position, connection and conductance reliability should be checked carefully. Make sure the L/N site is correct, not reverse and short-circuited.

2-5. UPS Installation for Parallel System

If the UPS is only available for single operation, you may skip this section to the next.

- 1) Install and wires the UPSs according to the section 2-3.
- 2) Connect the output wires of each UPS to an output breaker.
- 3) Connect all output breakers to a major output breaker. Then this major output breaker will directly connect to the loads. Refer to diagram 1 and diagram 3.
- 4) Each UPS is connected to an independent battery pack.
- 5) Remove the cover of parallel share current cable port on the UPS, connect each UPS one by one with the parallel cable and share current cable, and then screw the cover back again. Refer to diagram 2 and diagram 4.

NOTE: The parallel system can not use one battery pack. Otherwise, it will cause system permanent failure.

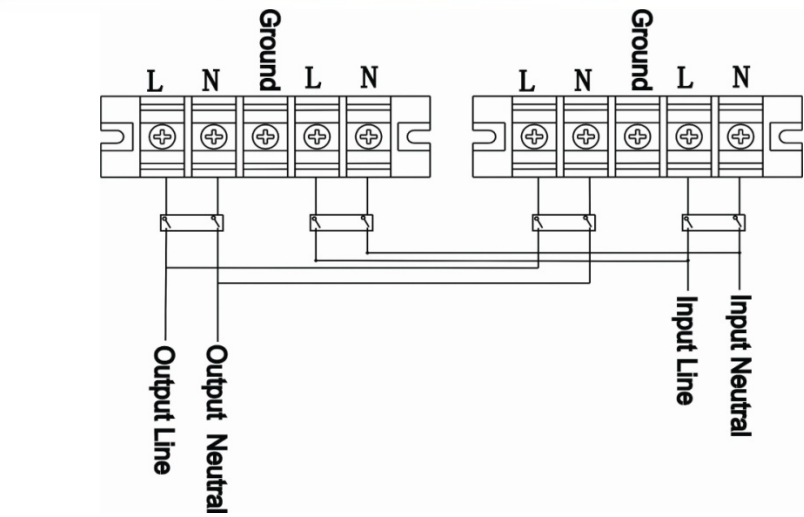


Diagram 1: Power cable connection for tower model

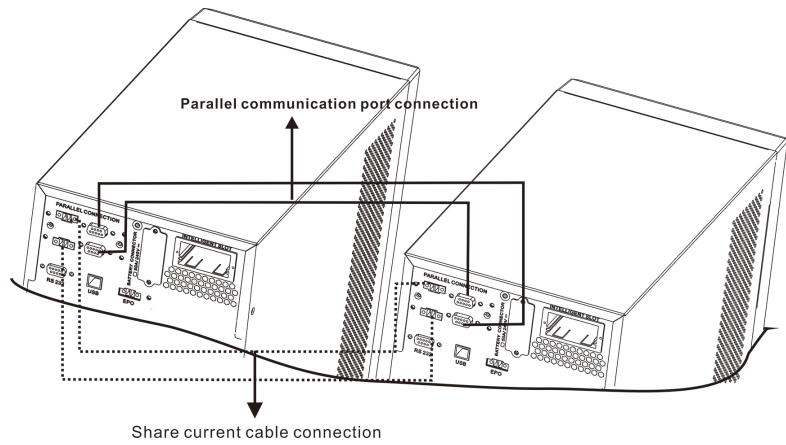


Diagram 2: Wiring diagram of parallel system for tower model

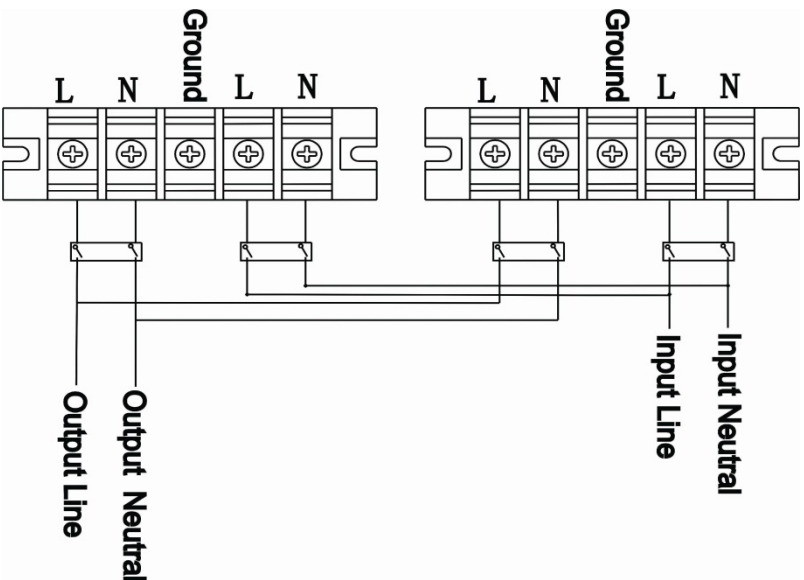


Diagram 3: Power cable connection for RT model

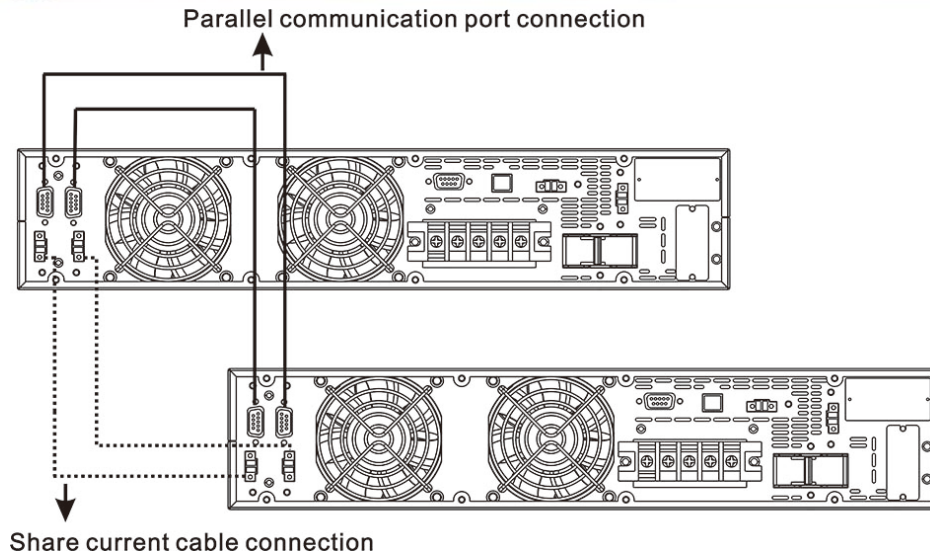


Diagram 4: Wiring diagram of parallel system for RT model

2-6. Software Installation

For optimal computer system protection, install UPS monitoring software to fully configure UPS shutdown.

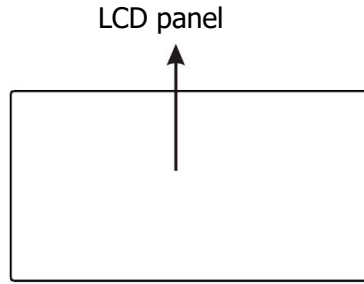
3. Operations

3-1. Button Operation

Button	Function
ON/Enter Button	<ul style="list-style-type: none"> ➤ Turn on the UPS: Press and hold the button more than 0.5s to turn on the UPS. ➤ Enter Key: Press this button to confirm the selection in setting menu.
OFF/ESC Button	<ul style="list-style-type: none"> ➤ Turn off the UPS: Press and hold the button more than 0.5s to turn off the UPS. ➤ Esc key: Press this button to return to last menu in setting menu.
Test/Up Button	<ul style="list-style-type: none"> ➤ Battery test: Press and hold the button more than 0.5s to test the battery while in AC mode, or CVCF mode. ➤ UP key: Press this button to display next selection in setting menu.
Mute/Down Button	<ul style="list-style-type: none"> ➤ Mute the alarm: Press and hold the button more than 0.5s to mute the buzzer. Please refer to section 3-4-9 for details. ➤ Down key: Press this button to display previous selection in setting menu.
Test/Up + Mute/Down Button	<ul style="list-style-type: none"> ➤ Press and hold the two buttons simultaneous more than 1s to enter/escape the setting menu.

* CVCF mode means converter mode.

3-2. LED Indicators and LCD Panel

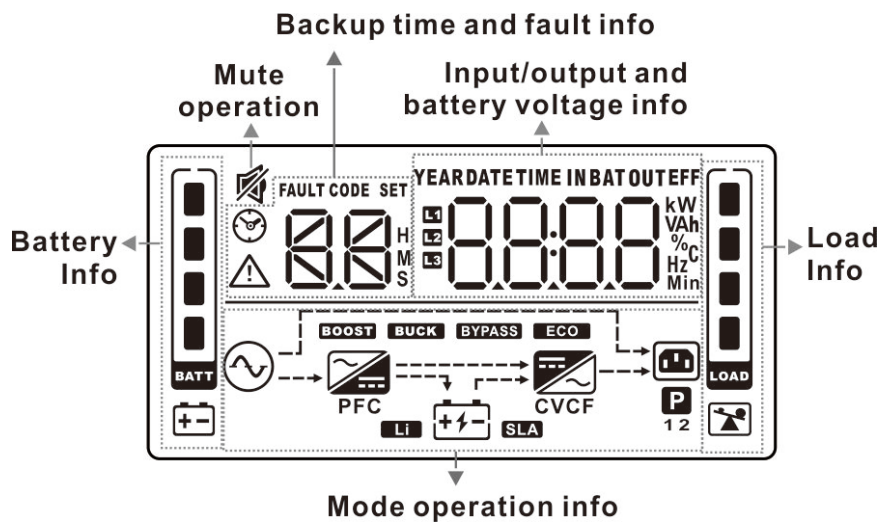


There are 4 LEDs on front panel to show the UPS working status:

Mode \ LED	Bypass	Line	Battery	Fault
UPS Startup	●	●	●	●
No Output mode	○	○	○	○
Bypass mode	●	○	○	○
AC mode	○	●	○	○
Battery mode	○	○	●	○
CVCF mode	○	●	○	○
Battery Test	●	●	●	○
ECO mode	●	●	○	○
Fault	○	○	○	●

Note: ● means LED is lighting, and ○ means LED is faded.

LCD Panel:



Display	Function
Backup time information	
	Indicates battery discharge time in numbers. H: hours, M: minutes, S: seconds
Fault information	
	Indicates that the warning and fault occurs.

	Indicates the fault codes, and the codes are listed in details in section 3-9.
Mute operation	
	Indicates that the UPS alarm is disabled.
Output & Input & Battery voltage information	
	Indicates the output voltage, frequency or battery voltage. Vac: output voltage, Vdc: battery voltage, Hz: frequency
Load information	
	Indicates the load level by 0-25%, 26-50%, 51-75%, and 76-100%.
	Indicates overload.
Mode operation information	
	Indicates the UPS connects to the mains.
	Indicates the battery is working.
	Indicates the bypass circuit is working.
	Indicates the ECO mode is enabled.
	Indicates the Inverter circuit is working.
	Indicates the output is working.
Battery information	
	Indicates the Battery capacity by 0-25%, 26-50%, 51-75%, and 76-100%.

3-3. Audible Alarm

Description	Buzzer status	Muted
UPS status		
Bypass mode	Beeping once every 2 minutes	Yes
Battery mode	Beeping once every 4 seconds	
Fault mode	Beeping continuously	
Warning		
Overload	Beeping twice every second	Yes
Others	Beeping once every second	
Fault		
All	Beeping continuously	Yes

3-4. Single UPS Operation

3-4-1. Turn on the UPS with utility power supply (in AC mode)

- 1) After power supply is connected correctly, set the breaker of the battery pack at "ON" position (the step only available for long-run model and all RT models). Then set the input breaker at "ON" position. At this time the fan is running and the UPS enter to power on mode for initialization, several seconds later, UPS operates in Bypass mode and supplies power to the loads via the bypass.

NOTE: When UPS is in Bypass mode, the output voltage will directly power from utility after you switch on the input breaker. In Bypass mode, the load is not protected by UPS. To protect your precious devices, you should turn on the UPS. Refer to next step.

- 2) Press and hold the "ON" button for 0.5s to turn on the UPS and the buzzer will beep once.
- 3) A few seconds later, the UPS will enter to AC mode. If the utility power is abnormal, the UPS will operate in Battery mode without interruption.

NOTE: When the UPS is running out battery, it will shut down automatically at Battery mode. When the utility power is restored, the UPS will auto restart in AC mode.

3-4-2. Turn on the UPS without utility power supply (in Battery mode)

- 1) Make sure that the breaker of the battery pack is at "ON" position (only for long-run model and RT model).
- 2) Press the "ON" button to set up the power supply for the UPS, UPS will enter to power on mode. After initialization UPS will enter to No Output mode, then Press and hold the "ON" button for 0.5s to turn on the UPS, and the buzzer will beep once.
- 3) A few seconds later, the UPS will be turned on and enter to Battery mode.

3-4-3. Connect devices to UPS

After the UPS is turned on, you can connect devices to the UPS.

- 1) Turn on the UPS first and then switch on the devices one by one, the LCD panel will display total load level.
- 2) If it is necessary to connect the inductive loads such as a printer, the in-rush current should be calculated carefully to see if it meets the capacity of the UPS, because the power consumption of this kind of loads is too big.
- 3) If the UPS is overload, the buzzer will beep twice every second.
- 4) When the UPS is overload, please remove some loads immediately. It is recommended to have the total loads connected to the UPS less than 80% of its nominal power capacity to prevent overload for system safety.
- 5) If the overload time is longer than acceptable time listed in spec at AC mode, the UPS will automatically transfer to Bypass mode. After the overload is removed, it will return to AC mode. If the overload time is longer than acceptable time listed in spec at Battery mode, the UPS will become fault status. At this time, if bypass is enabled and the voltage and frequency in the range of it is set value, the UPS will power to the load via bypass. If bypass function is disabled or the input power is not within bypass acceptable range, it will cut off output directly.

3-4-4. Charge the batteries

- 1) After the UPS is connected to the utility power and working on the AC mode, the charger will charge the batteries automatically except in Battery mode or during battery self-test.
- 2) Suggest to charge batteries at least 10 hours before use. Otherwise, the backup time may be shorter than expected time.

3-4-5. Battery mode operation

- 1) When the UPS is in Battery mode, the buzzer will beep according to different battery capacity. If the battery capacity is more than 25%, the buzzer will beep once every 4 seconds; If the battery

voltage drops to the alarm level, the buzzer will beep quickly (once every sec) to remind users that the battery is at low level and the UPS will shut down automatically soon. Users could switch off some non-critical loads to disable the shutdown alarm and prolong the backup time. If there is no more load to be switched off at that time, you have to shut down all loads as soon as possible to protect the devices or save data. Otherwise, there is a risk of data loss or load failure.

- 2) In Battery mode, if buzzer sound annoys, users can press the Mute button to disable the buzzer.
- 3) The backup time of the long-run model depends on the external battery capacity.
- 4) The backup time may vary from different environment temperature and load type.
- 5) When setting backup time for 16.5 hours (990min in LCD setting menu 09), after discharging 16.5 hours, UPS will shut down automatically to protect the battery. This battery discharge protection can be enabled or disabled through LCD panel control. (Refer to 3-7 LCD setting section)

3-4-6. Test the batteries

- 1) If you need to check the battery status when the UPS is running in AC mode/CVCF mode/ECO mode, you could press the "Test" button to let the UPS do battery self-test.
- 2) To keep the system reliable, the UPS can perform the battery self-test periodically while connect the monitoring software.
- 3) Users also can set battery self-test through monitoring software.
- 4) If the UPS is at battery self-test, the LCD display and buzzer indication will be the same as at Battery mode except that the battery LED is flashing.

3-4-7. Turn off the UPS with utility power supply in AC mode

- 1) Turn off the inverter of the UPS by pressing "OFF" button for at least 0.5s, and then the buzzer will beep once. The UPS will turn into Bypass mode.

NOTE 1: If the UPS has been set to enable the bypass output, it will bypass voltage from utility power to output terminal even though you have turned off the UPS (inverter).

NOTE 2: After turning off the UPS, please be aware that the UPS is working at Bypass mode and there is risk of power loss for connected devices.

- 2) In Bypass mode, output voltage of the UPS is still present. In order to cut off the output, switch off the input breaker. A few seconds later, there is no display shown on the display panel and UPS is complete off.

3-4-8. Turn off the UPS without utility power supply in Battery mode

- 1) Turn off the UPS by pressing "OFF" button for at least 0.5s, and then the buzzer will beep once.
- 2) Then UPS will cut off power to output and there is no display shown on the display panel.

3-4-9. Mute the buzzer

- 1) To mute the buzzer, please press the "Mute" button for at least 0.5s. If you press it again after the buzzer is muted, the buzzer will beep again.
- 2) All warning alarms can be muted. Please refer to section 3-3 for the details.

3-4-10. Operation in warning status

- 1) When Fault LED flashes and the buzzer beeps once every second, it means that there are some problems for UPS operation. Users can get the warning code from LCD panel. Please check the 3-11 warning code table and the trouble shooting table in chapter 4 for details.

- 2) All warning alarms can be muted. Please refer to section 3-3 for the details.

3-4-11. Operation in Fault mode

- 1) When Fault LED illuminates and the buzzer beeps continuously, it means that there is a fatal error in the UPS. Users can get the fault code from display panel. Please check the 3-9 fault code table and the trouble shooting table in chapter 4 for details.
- 2) Please check the loads, wiring, ventilation, utility, battery and so on after the fault occurs. Don't try to turn on the UPS again before solving the problems. If the problems can't be fixed, please contact the distributor or service people immediately.
- 3) For emergency case, please cut off the connection from utility, external battery, and output immediately to avoid more risk or danger.

3-4-12. Operation of changing charging current:

- 1) In bypass mode, press "Test/UP" and "Mute/Down" buttons simultaneous for more than 1s to enter the setting menu.
- 2) Press the "Mute/Down" button until it shows 17 in parameter 1 and press "Enter" button to adjust the charging current. (Check 3-7 LCD setting for the details.)
- 3) In the parameter 2, you can set up the charging current at 1A, 2A, 3A or 4A by pressing "Test/UP" or "Mute/Down" button. Please confirm the setting by pressing "ON/Enter" button.
- 4) In the parameter 3, it is to adjust the charging current according to the deviation between the actual charging current and the setting value of the current.
- 5) For example, you want to have charging current in 4A, but in fact, the charging current is measured only 3.7A. Then, you need to select "+" and change the number to 4 in parameter 3. It means the setting charging current will be added 0.3A as output charging current. Then, confirm this modification by pressing "ON/Enter" button. Now, you may press "Test/UP" and "Mute/Down" buttons at the same time to exit the setting mode.

NOTE 1: Be careful that the maximum charging current should not exceed the maximum battery charging current.

NOTE 2: All parameter settings will be saved only when UPS shuts down normally with internal or external battery connection. (Normal UPS shutdown means turning off input breaker in bypass/no output mode).

3-5. Parallel Operation

3-5-1. Parallel system initial startup

First of all, please make sure all of the UPSs are parallel models and have the same configuration.

- 1) Turn on each UPS to AC mode respectively (Refer to section 3-4-1). Then, measure the output voltage of each UPS to check if the voltage difference between actual output and setting value is less than 1.5V (typical 1V) with multimeter. If the difference is more than 1.5V, please calibrate the voltage by configuring inverter voltage adjustment (Refer to Program 15, section 3-7) in LCD setting. If voltage difference remains more than 1.5V after calibration, please contact your local distributor or service center for help.
- 2) Calibrate the output voltage measurement by configuring output voltage calibration (Refer to Program 16, section 3-7) in LCD setting to make sure the error between real output voltage and detected value of UPS is less than 1V.
- 3) Turn off each UPS (Refer to section 3-4-7.). Then, follow the wiring procedure in section 2-4.

- 4) Remove the cover of parallel share current cable port on the UPS, connect each UPS one by one with the parallel cable and share current cable, and then screw the cover back.

3-5-2. Turn on the parallel system in AC mode

- 1) Turn on the input breaker of each UPS. After all UPSs enter to bypass mode, measure the voltage between output L1 of each UPS with multimeter. If the voltage difference is less than 1V, that means all connections are correct. Otherwise, please check if the wirings are connected correctly.
- 2) Turn on the output breaker of each UPS. Before turning on each UPS in turns, check if PARXXX is displayed in each UPS sequentially. If no "PARXXX" exists in any UPS, please check if the parallel cables are connected correctly.
- 3) Turn on each UPS in turns. After a while, the UPSs will enter to AC mode synchronously and then, the parallel system is completed.

3-5-3. Turn on the parallel system in Battery mode

- 1) Turn on the battery breaker (only available in long-run model and RT model) and output breaker of each UPS.
NOTE: It's not allowed to share one battery pack in parallel system. Each UPS should be connected to its battery pack.
- 2) Turn on any UPS. A few seconds later, the UPS will enter to battery mode.
- 3) Press the "ON" button to set up the power supply for another UPS, check if PARXXX is displayed. If not, please check if the parallel cables are connected correctly. Then Turn on another UPS. A few seconds later, the UPS will enter to battery mode and add to the parallel system.
- 4) If you have the third UPS, follow the same procedure of 3). Then, the parallel system is complete.

3-5-4. Add one new unit into the parallel system

- 1) You can not add one new unit into the parallel system when whole system is running. You must cut off the load and shutdown the system.
- 2) Make sure all of the UPS are the parallel models, and follow the wiring refer to section 2-4.
- 3) Install the new parallel system refers to the previous section.

3-5-5. Remove one unit from the parallel system

There are two methods to remove one unit from the parallel system:

First method:

- 1) Press the "OFF" key twice and each time should last for more than 0.5s. Then, the UPS will enter into bypass mode without output.
- 2) Turn off the output breaker of this unit, and then turn off the input breaker of this unit.
- 3) After it shuts down, you can turn off the battery breaker (for long-run model) and remove the parallel cable and share current cable. Then, remove the unit from the parallel system.

Second method:

- 1) If the bypass is abnormal, you can not remove the UPS without interruption. You must cut off the load and shut down the system.
- 2) Make sure the bypass setting is enabled in each UPS and then turn off the running system. All UPSs will transfer to Bypass mode. Remove all the maintenance bypass covers and set the maintenance switches from "UPS" to "BPS". Turn off the input breakers and battery breakers.
- 3) Remove the UPS that you want.
- 4) Turn on the input breaker of the remaining UPSs and the system will transfer to Bypass mode.

- 5) Set the maintenance switches from "BPS" to "UPS" and put the maintenance bypass covers back. Turn on the remaining UPSs and finish the parallel system connection.

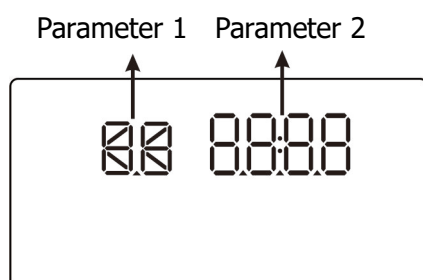
Warning: (Only for the parallel system)

- Before turning on the parallel system to activate inverter, make sure that all unit's maintenance switch at the same position.
- When parallel system is turned on to work through inverter, please do not operate the maintenance switch of any unit.

3-6. Abbreviation Meaning in LCD Display

Abbreviation	Display content	Meaning
ENA	EN	Enable
dis	dis	Disable
At	At	Auto
BAT	BAT	Battery
NC	NC	Normal mode (not CVCF mode)
CF	CF	CVCF mode
SUB & SU	SUB SU	Subtract
Add & Ad	Add Ad	Add
OP	OP	Allow
Fb	Fb	Not allowed
EP	EP	EPO
RES	RES	Reserved
YES	YES	Yes
NO	NO	No
Pk	Pk	Parallel

3-7. LCD Setting



There are two parameters to set up the UPS.

Parameter 1: It's for program alternatives or setting options. Refer to below table.

Parameter 2 is the setting values for each program.

Programs available list for parameter 1:

Code	Description	Bypass/ No output	AC	ECO	CVCF	Battery	Battery Test

01	Output voltage	Y					
02	Output frequency	Y					
03	Voltage range for bypass	Y					
04	Frequency range for bypass	Y					
05	ECO mode enable/disable	Y					
06	Voltage range for ECO mode	Y					
07	ECO mode frequency range setting	Y					
08	Bypass mode setting	Y	Y				
09	Battery backup time setting	Y	Y	Y	Y	Y	Y
10	Reserved	Reserved for future					
11	Reserved	Reserved for future					
12	Hot standby function enable/disable	Y	Y	Y	Y	Y	Y
13	Battery voltage adjustment	Y	Y	Y	Y	Y	Y
14	Charger voltage adjustment	Y	Y	Y	Y	Y	Y
15	Inverter voltage adjustment		Y		Y	Y	
16	Output voltage calibration		Y		Y	Y	
17	Charging current setting	Y	Y	Y	Y	Y	Y

*Y means that this program can be set in this mode.

Note: All parameter settings will be saved only when UPS shuts down normally with internal or external battery connection. (Normal UPS shutdown means turning off input breaker in bypass mode).

● 01: Output voltage

Interface	Setting
	<p>Parameter 3: Output voltage You may choose the following output voltage in parameter 3: 208: Presents output voltage is 208Vac 220: Presents output voltage is 220Vac 230: Presents output voltage is 230Vac 240: Presents output voltage is 240Vac</p>

02: Output frequency

Interface	Setting
<p>60 Hz, CVCF mode</p> <p>50 Hz, Normal mode</p> <p>ATO</p>	<p>Parameter 2: Output Frequency Setting the output frequency. You may choose following three options in parameter 2: 50CF: Setting UPS to CVCF mode and output frequency will be fixed at 50Hz. The input frequency could be from 46Hz to 64Hz. 60CF: Setting UPS to CVCF mode and output frequency will be fixed at 60Hz. The input frequency could be from 46Hz to 64Hz. 50NC: Setting UPS to normal mode (not CVCF mode). If selected, the output frequency will synchronize with the input frequency within 46~54 Hz. UPS will transfer to battery mode when input frequency is not within 46~54 Hz. 60NC: Setting UPS to normal mode (not CVCF mode). If selected, the output frequency will synchronize with the input frequency within 56~64 Hz. UPS will transfer to battery mode when input frequency is not within 56~64 Hz. At: If selected, output frequency will be decided according to the latest normal utility frequency. If it is from 46Hz to 54Hz, the output frequency will be 50.0Hz. If it is from 56Hz to 64Hz, the</p>

	output frequency will be 60.0Hz. The last two digits will show the current frequency. At its default setting.
--	---

Note: If the UPS is set to CVCF mode, the bypass function will be disabled automatically.

But when a single UPS without parallel function is powered on with mains and before the UPS finished the startup, there will be a few seconds of voltage pulse (same as the input voltage) on the bypass output.

If you need to remove the pulse on this mode to protect your load better, you could contact the dealer for help.

For the UPS with parallel function, this pulse situation won't happen.

● **03: Voltage range for bypass**

Interface	Setting
	<p>Parameter 1 & 2: Setting acceptable voltage range for bypass mode. You have to set up the range by setting high and low points. When it shows "LLS" in parameter 2, please press "Enter" key and it will show "LS" in parameter 1. Now, you can set up low point in parameter 2 by pressing "Up" or "Down" key.</p>
	<p>LS: Set the acceptable low voltage for bypass. Setting range is from 110V to 209V and the default value is 110V.</p> <p>Pressing "Enter" key to confirm the setting value for low point. Then, it will show HS in parameter 1. Please set up high point in parameter 2 by pressing "Up" or "Down" key.</p>
	<p>HS: Set the acceptable high voltage for bypass. Setting range is from 231V to 276V and the default value is 264V.</p>

● **04: Frequency range for bypass**

Interface	Setting
	<p>Parameter 1 & 2: Setting acceptable frequency range for bypass mode. You have to set up the range by setting high and low points. When it shows "LLS" in parameter 2, please press "Enter" key and it will show "LS" in parameter 1. Now, you can set up low point in parameter 2 by pressing "Up" or "Down" key.</p>
	<p>LS: Set the acceptable low frequency for bypass. 50 Hz system: Setting range is from 46.0Hz to 49.0Hz. 60 Hz system: Setting range is from 56.0Hz to 59.0Hz. The default value is 46.0Hz/56.0Hz.</p> <p>Pressing "Enter" key to confirm the setting value for low point. Then, it will show HS in parameter 1. Please set up high point in parameter 2 by pressing "Up" or "Down" key.</p>
	<p>HS: Set the acceptable high frequency for bypass.</p>

	<p>50 Hz: Setting range is from 51.0Hz to 54.0 Hz. 60 Hz: Setting range is from 61.0Hz to 64.0Hz. The default value is 54.0Hz/64.0Hz.</p>
--	---

● **05: ECO mode enable/disable**

Interface	Setting
	<p>Parameter 2: Enable or disable ECO function. You may choose following two options: DIS: disable ECO function ENA: enable ECO function If ECO function is disabled, voltage range and frequency range for ECO mode still can be set, but it is meaningless unless the ECO function is enabled.</p>

● **06: Voltage range for ECO mode**

Interface	Setting
	<p>Parameter 1 & 2: Setting acceptable voltage range for ECO mode. You have to set up the range by setting high and low points. When it shows "LLS" in parameter 2, please press "Enter" key and it will show "LS" in parameter 1. Now, you can set up low point in parameter 2 by pressing "Up" or "Down" key.</p>
	<p>LS: Low voltage point in ECO mode. The setting range is from 5% to 10% of the nominal voltage.</p>
	<p>Pressing "Enter" key to confirm the setting value for low point. Then, it will show HS in parameter 1. Please set up high point in parameter 2 by pressing "Up" or "Down" key.</p>
	<p>HS: High voltage point in ECO mode. The setting range is from 5% to 10% of the nominal voltage.</p>

● **07: Frequency range for ECO mode**

Interface	Setting
	<p>Parameter 1 & 2: Setting acceptable frequency range for ECO mode. You have to set up the range by setting high and low points. When it shows "LLS" in parameter 2, please press "Enter" key and it will show "LS" in parameter 1. Now, you can set up low point in parameter 2 by pressing "Up" or "Down" key.</p>
	<p>LS: Set low frequency point for ECO mode. 50 Hz system: Setting range is from 46.0Hz to 48.0Hz. 60 Hz system: Setting range is from 56.0Hz to 58.0Hz. The default value is 48.0Hz/58.0Hz.</p>
	<p>Pressing "Enter" key to confirm the setting value for low point. Then, it will show HS in parameter 1. Please set up high point in</p>

	<p>parameter 2 by pressing "Up" or "Down" key.</p> <p>HS: Set high frequency point for ECO mode. 50 Hz: Setting range is from 52.0Hz to 54.0 Hz. 60 Hz: Setting range is from 62.0Hz to 64.0Hz. The default value is 52.0Hz/62.0Hz.</p>
--	---

● **08: Bypass mode setting**

Interface	Setting
	<p>After it shows "08" in parameter 1, please press "Enter" key first. Then, you have the following options to choose in parameter 2.</p> <p>OP: Bypass allowed. When selected, UPS will run at Bypass mode depending on bypass enabled/disabled setting.</p> <p>Fb: Bypass not allowed. When selected, it's not allowed for running in Bypass mode under any situations.</p>
	<p>After selecting "OP" in parameter 2 and press "Enter" key, the "OP" will show on the parameter 1 and now it's able to set up bypass condition in parameter 2.</p> <p>ENA: Bypass enabled. When selected, Bypass mode is activated.</p> <p>DIS: Bypass disabled. When selected, automatic bypass is acceptable, but manual bypass is not allowed. Manual bypass means users manually operate UPS for Bypass mode. For example, pressing OFF button in AC mode to turn into Bypass mode.</p>

● **09: Battery backup time setting**

Interface	Setting
	<p>Parameter 2: 000~999: Set the maximum backup time from 0min to 999min. UPS will shut down to protect battery after backup time arrives. DIS: Disable battery discharge protection and backup time will depend on battery capacity. The default value is DIS.</p>

● **10: Reserved**

● **11: Reserved**

Interface	Setting
	<p>Reserved</p>

● **12: Hot standby function enable/disable**

Interface	Setting
-----------	---------

	<p>Parameter 2: HS.H Enable or disable Hot standby function. You may choose following two options in Parameter 2: YES: Hot standby function is enabled. It means that the current UPS is set to host of the hot standby function, and it will restart after AC recovery even without battery connected. NO: Hot standby function is disabled. The UPS is running at normal mode and can't restart without battery</p>
--	--

● **13: Battery voltage adjustment**

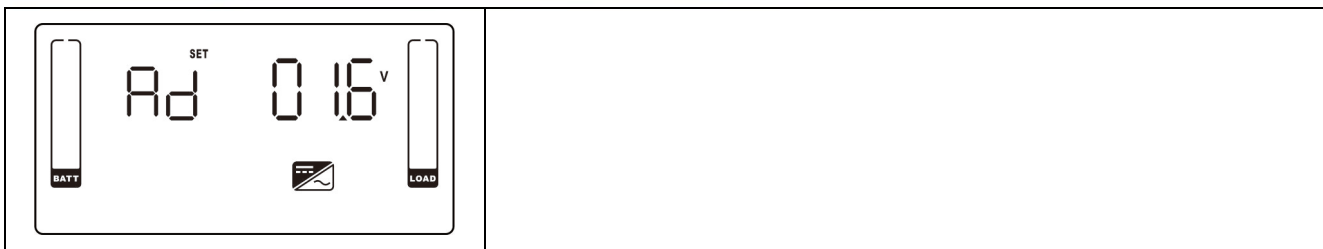
Interface	Setting
	<p>After it shows "13" in parameter 1, please press "Enter" key first. Then, you may choose Add or SUB to adjust battery voltage in parameter 1 by pressing "Up" or "Down" key. After pressing "Enter" key to confirm your selection, it will jump to parameter 2 to set up the value. Parameter 2: the voltage range is from 0V to 5.7V, the default value is 0V.</p>

● **14: Charger voltage adjustment**

Interface	Setting
	<p>After it shows "14" in parameter 1, please press "Enter" key first. Then, you may choose Ad or SU to adjust charger voltage in parameter 1 by pressing "Up" or "Down" key. After pressing "Enter" key to confirm your selection, it will jump to parameter 2 to set up the value. Parameter 2: the voltage range is from 0V to 9.9V, the default value is 0V. NOTE: *Before making voltage adjustment, be sure to disconnect all batteries first to get the accurate charger voltage. *We strongly suggest to use the default value (0). Any modification should be suitable to battery specifications.</p>

● **15: Inverter voltage adjustment**

Interface	Setting
	<p>After it shows "15" in parameter 1, please press "Enter" key first. Then, you may choose Ad or SU to adjust inverter voltage in parameter 1 by pressing "Up" or "Down" key. After pressing "Enter" key to confirm your selection, it will jump to parameter 2 to set up the value. Parameter 2: the voltage range is from 0V to 6.4V, the default value is 0V.</p>



● **16: Output voltage calibration**

Interface	Setting
<p>The LCD display shows '16' in parameter 1 and 'Add' in parameter 2. The screen also features 'BATT' and 'LOAD' indicators and a 'SET' label above the display.</p>	<p>After it shows "16" in parameter 1, please press "Enter" key first. Then, you may choose Ad or SU to adjust output voltage in parameter 1 by pressing "Up" or "Down" key. After pressing "Enter" key to confirm your selection, it will jump to parameter 2 to set up the value.</p> <p>Parameter 2: the voltage range is from 0V to 6.4V, the default value is 0V.</p>
<p>The LCD display shows 'Ad' in parameter 1 and '0.16 V' in parameter 2. The screen also features 'BATT' and 'LOAD' indicators and a 'SET' label above the display.</p>	

● **17: Charging current setting**

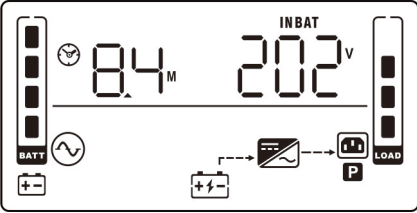
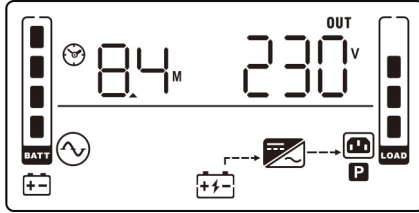

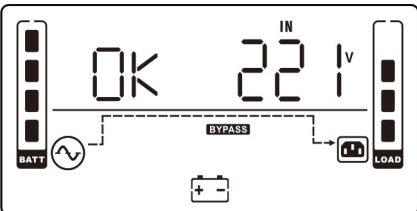
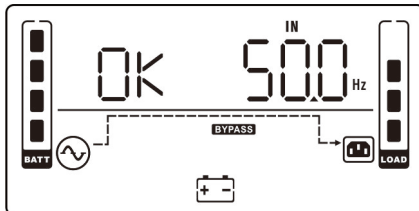
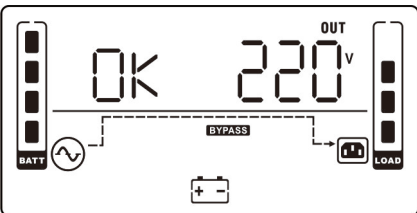
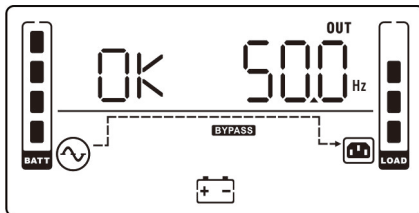
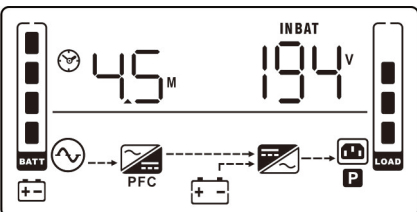
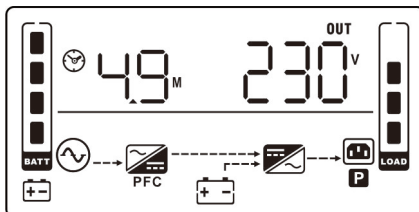
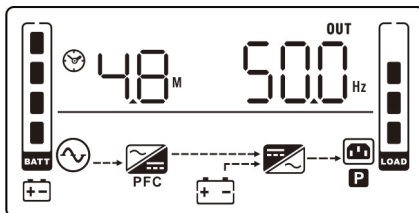
Interface	Setting
<p>The LCD display shows '17' in parameter 1 and '004 + 3' in parameter 2. The screen also features 'BATT' and 'LOAD' indicators and a 'SET' label above the display.</p>	<p>Parameter 2: Set the charging current of the charger at 1A, 2A, 3A or 4A (001 ~ 004).</p> <p>Parameter 3: Calibrate the charging current. If there is deviation between setting current and real measured current, please use this parameter to calibrate the charging current.</p> <p>± 0~± 5: You may choose '+' as add or '-' as Sub to calibrate charging current. This setting number is the first number after the decimal point.</p> <p>The calibrated formula is listed as below: Setting charging current = "real measured current" + or - "value setting in parameter 3"</p> <p>For example, if setting charging current is 4A, but real current is detected as 3.7A, please set up calibrated current as + 3. Setting charging current 4A = real measured current 3.7A + 0.3A</p>

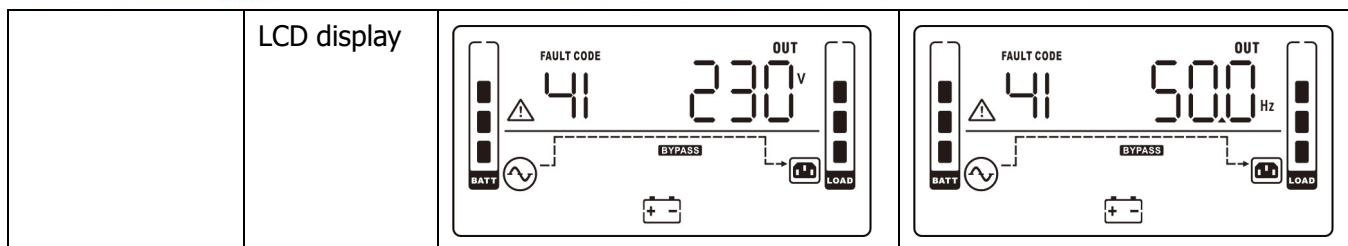
3-8. Operating Mode/Status Description

If parallel UPS systems are successfully set up, it will show one more screen with "Pk" in parameter 1 and be assigned number in parameter 2 as below parallel screen diagram. The master UPS will be default assigned as "001" and slave UPSs will be assigned as either "002" or "003". The assigned numbers may be changed dynamically in the operation;



Operating mode/status		
AC mode	Description	When the input voltage is within acceptable range, UPS will provide pure and stable AC power to output. The UPS will also charge the battery at AC mode.
	LCD display	
ECO mode	Description	When the input voltage is within voltage regulation range and ECO mode is enabled, UPS will bypass voltage to output for energy saving.
	LCD display	
CVCF mode	Description	When input frequency is within 46 to 64Hz, the UPS can be set at a constant output frequency, 50 Hz or 60 Hz. The UPS will still charge battery under this mode.
	LCD display	
Battery mode	Description	When the input voltage is beyond the acceptable range or power failure,

		UPS will backup power from battery and alarm will beep every 4 seconds.
	LCD display	  
Bypass mode	Description	When input voltage is within acceptable range and bypass is enabled, turn off the UPS and it will enter Bypass mode. Alarm beeps every two minutes.
	LCD display	   
Battery Test	Description	When UPS is in AC mode or CVCF mode, press "Test" key for more than 0.5s. Then the UPS will beep once and start "Battery Test". The line between I/P and inverter icons will blink to remind users. This operation is used to check the battery status.
	LCD display	  
Fault status	Description	When UPS has fault happened, it will display fault messages in LCD panel.



3-9. Fault Code

Fault event	Fault code	Icon	Fault event	Fault code	Icon
Bus start failure	01	None	Battery SCR short circuited	21	None
Bus over	02	None	Inverter relay short circuited	24	None
Bus under	03	None	Charger short circuited	2a	None
Bus unbalance	04	None	Can communication fault	31	None
Inverter soft start failure	11	None	Parallel output current unbalance	36	None
High Inverter voltage	12	None	Over temperature	41	None
Low Inverter voltage	13	None	CPU communication failure	42	None
Inverter output short circuited	14	None	Overload	43	
Negative power fault	1A	None	Battery turn-on failure	6A	None
Inverter over current	60	None	PFC current failure in battery mode	6B	None
Inverter current detection error	6D	None	Bus voltage changes too fast	6C	None
Transformer over temperature	77	None	SPS 12V abnormal	6E	None

3-10. Warning Indicator

Warning	Icon (flashing)	Alarm
Battery low		Beeping every second
Overload		Beeping twice every second
Battery unconnected		Beeping every second
Over charge		Beeping every second
EPO enable		Beeping every second
Fan failure/Over temperature		Beeping every second
Charger failure		Beeping every second
I/P fuse broken		Beeping every second
Overload 3 times in 30min		Beeping every second







3-11 Warning Code



Warning code	Warning event	Warning code	Warning event
01	Battery unconnected	10	L1 IP fuse broken

07	Over charge	21	Line situations are different in parallel system
08	Low battery	22	Bypass situations are different in parallel system
09	Overload	33	Locked in bypass after overload 3 times in 30min
0A	Fan failure	3A	Cover of maintain switch is open
0B	EPO enable	3D	Bypass unstable
0D	Over temperature	3E	Boot loader is missing
0E	Charger failure	42	Over-temperature on transformer
44	Failure on parallel redundancy	45	Overload on parallel redundancy

4. Trouble Shooting

If the UPS system does not operate correctly, please solve the problem by using the table below.

Symptom	Possible cause	Remedy
No indication and alarm in the front display panel even though the mains is normal.	The AC input power is not connected well.	Check if input cable firmly connected to the mains.
The icon  and the warning code EP flash on LCD display and alarm beeps every second.	EPO function is enabled.	Set the circuit in closed position to disable EPO function.
The icon  and  flash on LCD display and alarm beeps every second.	The external or internal battery is incorrectly connected.	Check if all batteries are connected well.
The icon  and  flash on LCD display and alarm beeps twice every second.	UPS is overload.	Remove excess loads from UPS output.
	UPS is overloaded. Devices connected to the UPS are fed directly by the electrical network via the Bypass.	Remove excess loads from UPS output.
	After repetitive overloads, the UPS is locked in the Bypass mode. Connected devices are fed directly by the mains.	Remove excess loads from UPS output first. Then shut down the UPS and restart it.
Fault code is shown as 43. The icon  lights on LCD display and alarm beeps continuously.	UPS is overload too long and becomes fault. Then UPS shut down automatically.	Remove excess loads from UPS output and restart it.
Fault code is shown as 14 and alarm beeps continuously.	The UPS shut down automatically because short circuit occurs on the UPS output.	Check output wiring and if connected devices are in short circuit status.
Fault code is shown as 01, 02, 03, 04, 11, 12, 13, 14, 1A, 21, 24, 35, 36, 41, 42 or 43 on LCD display and alarm beeps continuously.	A UPS internal fault has occurred. There are two possible results: 1. The load is still supplied, but directly from AC power via bypass. 2. The load is no longer supplied by power.	Contact your dealer.
Battery backup time is shorter than nominal value	Batteries are not fully charged	Charge the batteries for at least 7 hours and then check capacity. If the problem still

		persists, consult your dealer.
	Batteries defect	Contact your dealer to replace the battery.
The icon  and  flash on LCD display and alarm beeps every second.	Fan is locked or not working; or the UPS temperature is too high.	Check fans and notify dealer.

5. Storage and Maintenance

5-1. Storage

Before storing, charge the UPS at least 7 hours. Store the UPS covered and upright in a cool, dry location. During storage, recharge the battery in accordance with the following table:

Storage Temperature	Recharge Frequency	Charging Duration
-25°C - 40°C	Every 3 months	1-2 hours
40°C - 45°C	Every 2 months	1-2 hours

5-2. Maintenance

- ⚠ The UPS system operates with hazardous voltages. Repairs may be carried out only by qualified maintenance personnel.
- ⚠ Even after the unit is disconnected from the mains, components inside the UPS system are still connected to the battery packs which are potentially dangerous.
- ⚠ Before carrying out any kind of service and/or maintenance, disconnect the batteries and verify that no current is present and no hazardous voltage exists in the terminals of high capability capacitor such as BUS-capacitors.
- ⚠ Only persons are adequately familiar with batteries and with the required precautionary measures may replace batteries and supervise operations. Unauthorized persons must be kept well away from the batteries.
- ⚠ Verify that no voltage between the battery terminals and the ground is present before maintenance or repair. In this product, the battery circuit is not isolated from the input voltage. Hazardous voltages may occur between the battery terminals and the ground.
- ⚠ Batteries may cause electric shock and have a high short-circuit current. Please remove all wristwatches, rings and other metal personal objects before maintenance or repair, and only use tools with insulated grips and handles for maintaining or repairing.
- ⚠ When replace the batteries, install the same number and same type of batteries.
- ⚠ Do not attempt to dispose of batteries by burning them. This could cause battery explosion. The batteries must be rightly deposited according to local regulation.
- ⚠ Do not open or destroy batteries. Escaping electrolyte can cause injury to the skin and eyes. It may be toxic.

- ⚠ Please replace the fuse only with the same type and amperage in order to avoid fire hazards.

- ⚠ Do not disassemble the UPS system.

6. Specifications

MODEL		6000 CG	6000 RMG	10000 CG	10000 RMG
CAPACITY*		6000 VA / 6000 W		10000 VA / 10000 W	
INPUT					
Voltage Range	Low Line Loss	110 VAC(L-N) \pm 3 % at 0-60% Load 176 VAC(L-N) \pm 3 % at 60%-100% Load			
	Low Line Comeback	Low Line Loss Voltage + 10V			
	High Line Loss	300 VAC(L-N) \pm 3 %			
	High Line Comeback	Low Line Loss Voltage - 10V			
Frequency Range		46Hz ~ 54 Hz @ 50Hz system 56Hz ~ 64 Hz @ 60Hz system			
Phase		Single phase with ground			
Power Factor		\geq 0.99 at 100% Load			
OUTPUT					
Output voltage		208/220/230/240VAC			
AC Voltage Regulation		\pm 1%			
Frequency Range (Synchronized Range)		46Hz ~ 54 Hz @ 50Hz system 56Hz ~ 64 Hz @ 60Hz system			
Frequency Range (Batt. Mode)		50 Hz \pm 0.1 Hz or 60Hz \pm 0.1 Hz			
Overload	AC mode	100%~110%: 10min ; 110%~130%: 1min ; >130% : 1sec			
	Battery mode	100%~110%: 30sec ; 110%~130%: 10sec ; >130% : 1sec			
Current Crest Ratio		3:1 max			
Harmonic Distortion		\leq 1 % @ 100% Linear Load; \leq 4 % @ 100% Non-linear Load			
Transfer Time	Line \leftrightarrow Battery	0 ms			
	Inverter \leftrightarrow Bypass	0 ms			
	Inverter \leftrightarrow ECO	<10 ms (Typical)			
EFFICIENCY					
AC mode		94% (max.)			
Battery Mode		92% (max.)			
BATTERY					
Type	12 V / 7 Ah		12 V / 9 Ah		
Numbers	16 pcs				
Recharge Time	7 hours recover to 90% capacity		9 hours recover to 90% capacity		
Charging Current	1 A \pm 10% (max.)				
Charging Voltage	(Battery number*13.65 V) \pm 1%				
PHYSICAL					
Dimension, DXWXH(mm)	369 x 190 x 688	UPS Unit: 600 x 438 x 88 [2U] Battery Pack: 688 x 438 x 88 [2U]	442 x 190 x 688	UPS Unit: 600 x 438 x 88 [2U] Battery Pack: 688 x 438 x 88 [2U]	
Net Weight (kgs)	57	UPS Unit: 17 Battery Pack: 48	67	UPS Unit: 20 Battery Pack: 48	
ENVIRONMENT					
Operation Temperature	0 ~ 40°C (the battery life will down when > 25°C)				
Operation Humidity	<95 % and non-condensing				
Operation Altitude**	<1000m				
Acoustic Noise Level	Less than 55dB @ 1 Meter		Less than 58dB @ 1 Meter		
MANAGEMENT					
Smart RS-232 or USB	Supports Windows® 2000/2003/XP/Vista/2008/7/8, Linux, Unix, and MAC				
Optional SNMP	Power management from SNMP manager and web browser				

Optional Battery Pack (20pcs)	Battery Type	12 V / 7 Ah	12 V / 9 Ah
	Dimension, DxWxH (mm)	600 x 438 x 133 [3U]	600 x 438 x 133 [3U]
	Net Weight (kgs)	57	63

* Derate capacity to 60% of capacity in CVCF mode and to 90% when the output voltage is adjusted to 208VAC or when UPS is operated in parallel.

**When using 16 pieces of batteries, the output power factor will be derated to 0.8. If using 18 or 19 pieces of batteries, the output power factor will be derated to 0.9.

***If the UPS is installed or used in a place where the altitude is above than 1000m, the output power must be derated one percent per 100m.

Product specifications are subject to change without further notice.