

## PACKAGE CONTENTS

---

The carton should contain the following items:

- Housing
- Bracket
- Screw Pack



Camera Screws



Bracket Screws



Wall Screws



Screw Wrench

If any item is missing or damaged, please contact your local reseller for replacement.

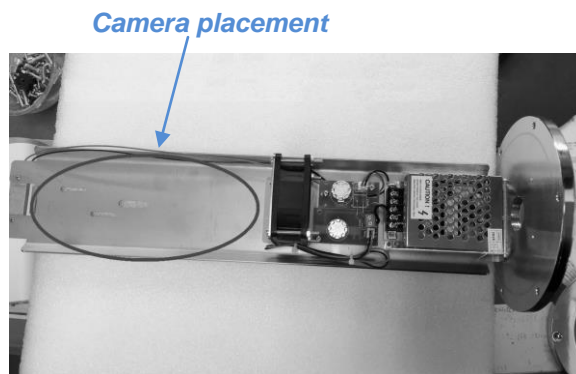
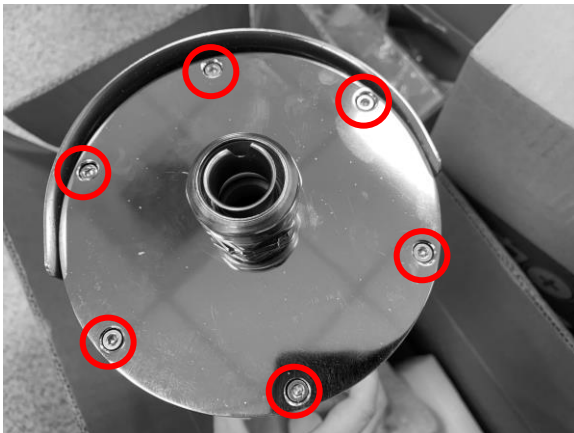
### Note:

- The images in this Quick Installation Guide are for reference only. Actual housing and cameras may vary.
- This installation should be completed by a qualified installer and should conform to all local codes and regulations.

## MOUNT CAMERA

---

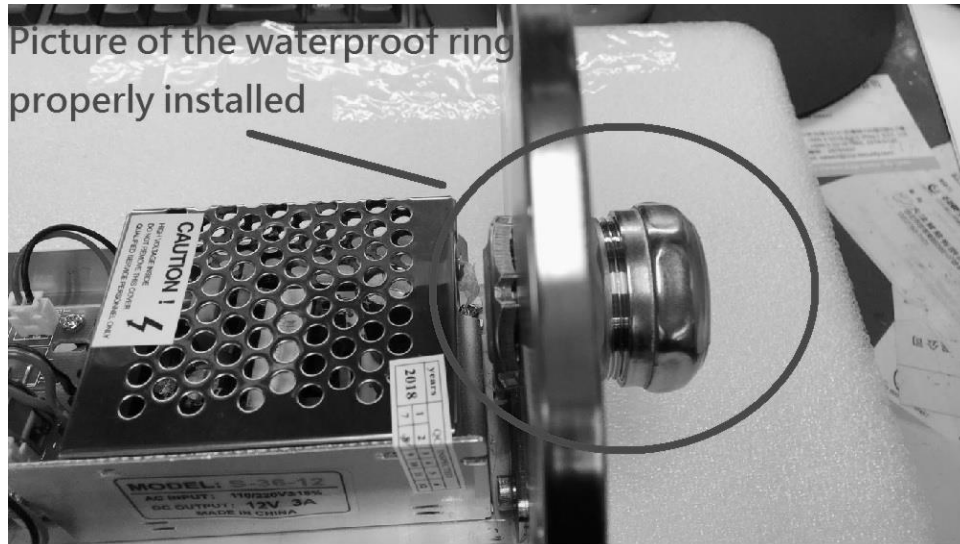
1. Open the housing using the bundled wrench, then slide out the camera tray.



2. Install the camera and secure the camera by fixing a screw using any of the allotted bottom holes.



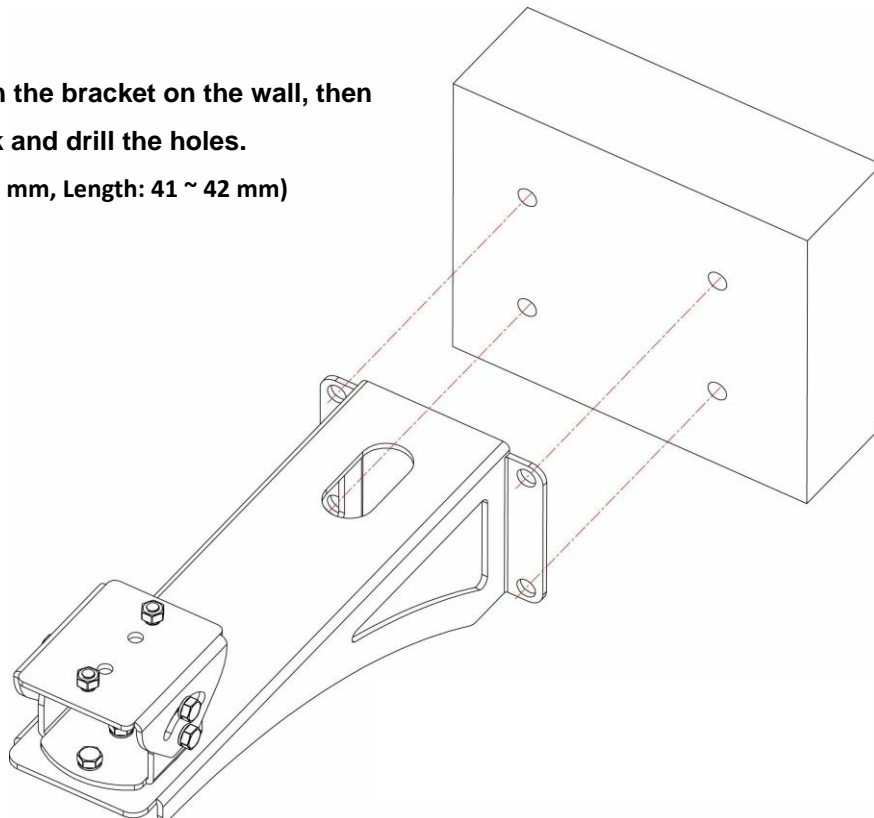
**3. Connect the cables and adapt proper waterproof cabling protection.**



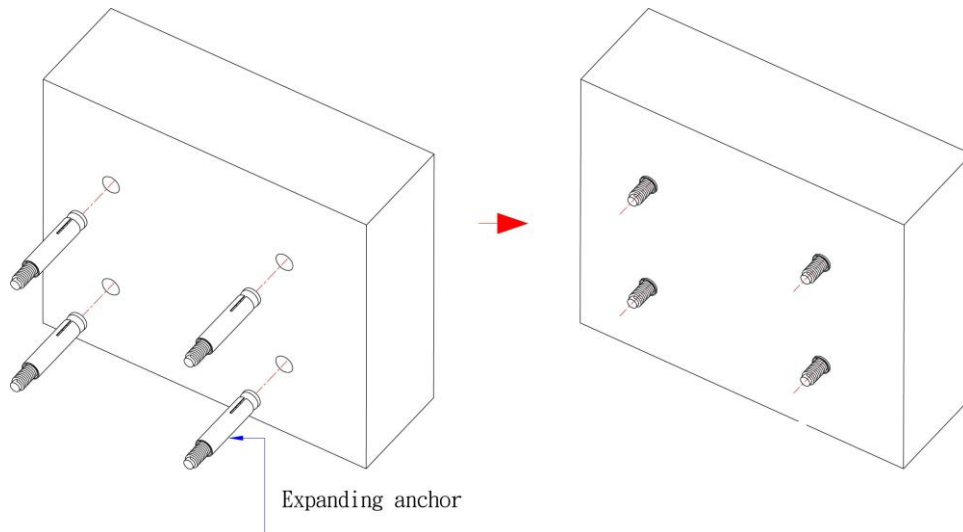
***INSTALLATION***

---

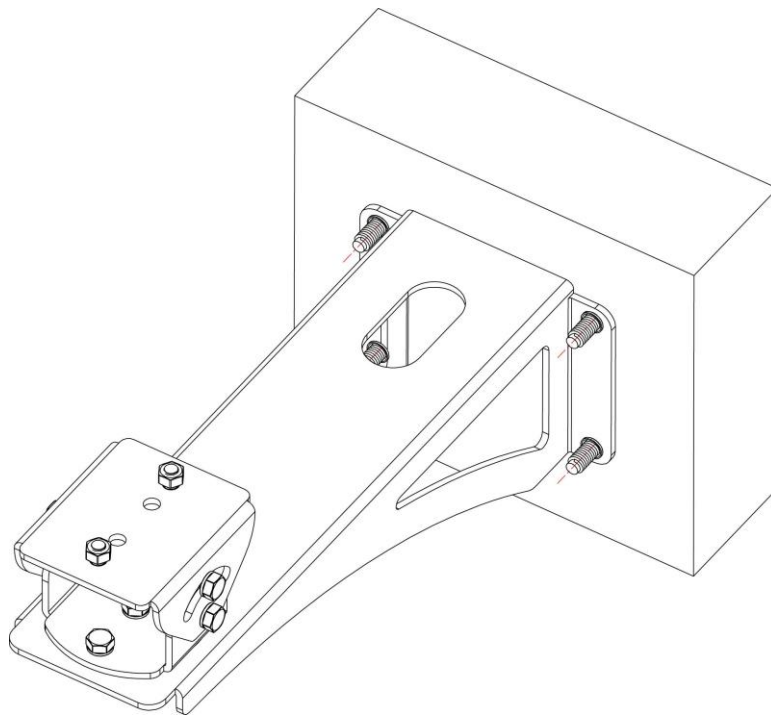
- 1. Align the bracket on the wall, then mark and drill the holes.  
( $\varnothing$  10 mm, Length: 41 ~ 42 mm)**



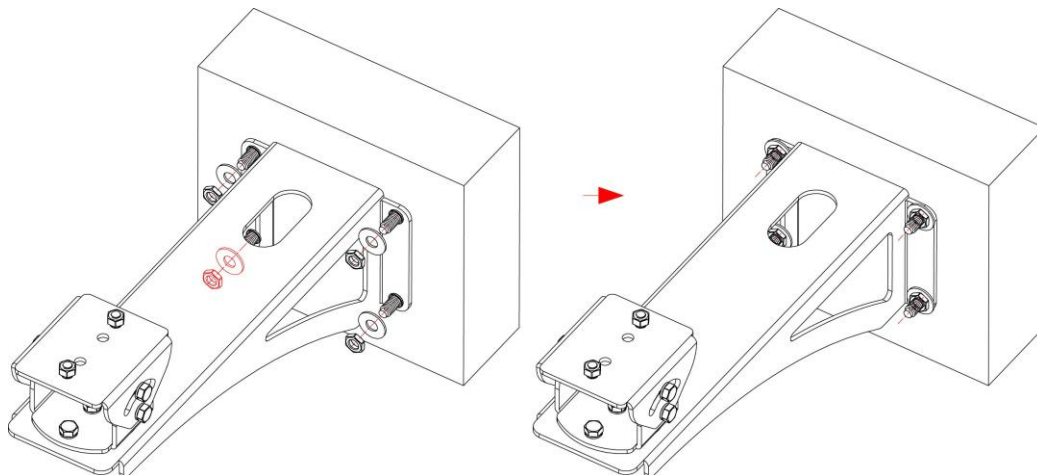
**2. Insert the expanding wall screws into the drilled hole on the wall.**



**3. Attach the bracket.**



**4. Screw the washers and nuts to complete bracket installation.**



5. Attach housing to the bracket.

