

## Item Number \_\_\_\_\_

RAM-VB-103 & RAM-VB-103-SW1

# RAM No-Drill™ Seat Bases

RAM Mounting Systems

## Vehicle base for the

Chevrolet 1500 C/K - 2wd (1994-1999)  
Chevrolet 1500 C/K - 4wd-selector on dash only (1994-1999)  
Chevrolet 2500 C/K (1994-1999)  
Chevrolet 3500 C/K (1994-1999)  
Chevrolet Blazer K-5 (1993-Older)

Chevrolet Silverado (1998-Older)  
Chevrolet Suburban (1994-1999)  
Chevrolet Tahoe (1994-1999)  
GMC Sierra (1994-1999)  
GMC Yukon (1994-1999)

## SPECIFICATIONS

### Placement

Across Transmission Hump

### Drilling Required

No - uses existing seat bolts on all vehicles  
Except full size Blazer. Drilling is required for this vehicle 1993 and older

### Seat Configuration

Bucket/Bench

### Construction/Finish

Steel/Black Powdercoat

### Dimensions

A = 14.5", B = 3.75", C = 5.5", D = 9.5", E = 6.25"  
Hole Center = 23.13"

### Pole or Pedestal

Ordered Separately

### Weight

6.4 lbs.

## Notes.

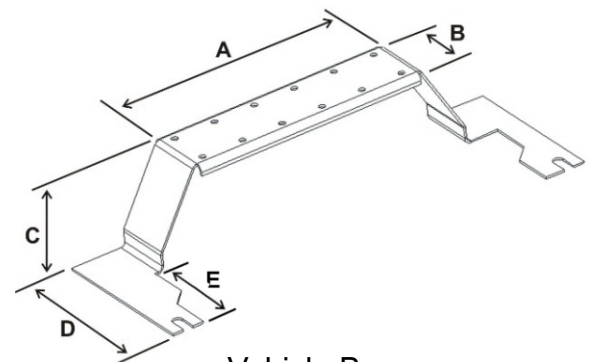
This base may not work with the factory installed center console or with 4WD levers that are on the floor. Drilling may be required for vehicles with a bench seat. Some models have factory installed accessories that prevent installation. This base is designed to be installed over the transmission hump.

### RAM Mounting Systems

8410 Dallas Ave S  
Seattle, WA 98108  
Phone: (206) 763-8361  
Fax: (206) 763-9615  
www.rammount.com  
support@rammount.com



Complete Vehicle Mount  
RAM-VB-103-SW1



Vehicle Base  
RAM-VB-103



RMR-INS-VB-103

## Item Number \_\_\_\_\_

RAM-VB-103 & RAM-VB-103-SW1

# RAM No-Drill™ Seat Bases

RAM Mounting Systems

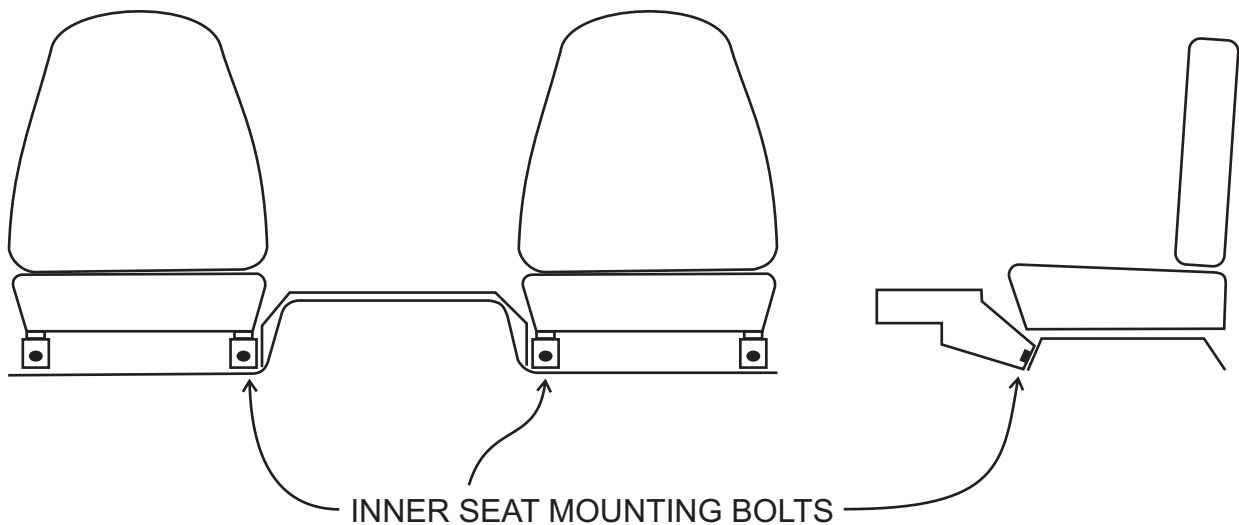
## Vehicle base for the

Chevrolet 1500 C/K - 2wd (1994-1999)  
Chevrolet 1500 C/K - 4wd-selector on dash only (1994-1999)  
Chevrolet 2500 C/K (1994-1999)  
Chevrolet 3500 C/K (1994-1999)  
Chevrolet Blazer K-5 (1993-Older)

Chevrolet Silverado (1998-Older)  
Chevrolet Suburban (1994-1999)  
Chevrolet Tahoe (1994-1999)  
GMC Sierra (1994-1999)  
GMC Yukon (1994-1999)

## INSTALLATION INSTRUCTIONS

1. Place both front seats in their most rear position.
2. Remove the drivers side front right and the passenger side front left seat mounting bolts (inner seat bolts).
3. Slightly lift both the passenger and driver seats and slide the No-Drill™ base between the floor of the vehicle and the bottom of the seat.
4. Align the holes and reinstall all of the seat bolts that have been removed.



**RAM Mounting Systems**  
8410 Dallas Ave S  
Seattle, WA 98108  
Phone: (206) 763-8361  
Fax: (206) 763-9615  
www.rammount.com  
support@rammount.com



RMR-INS-VB-103