

**Item Number** \_\_\_\_\_

RAM-VB-140 & RAM-VB-140-SW1

# RAM No-Drill™ Seat Bases

RAM Mounting Systems

## Vehicle base for the SEMI TRUCKS WITH NATIONAL SEATING CAPTAIN'S CHAIR (2006-2011)

### SPECIFICATIONS

**Placement**

Attaches to upper section, left hand side of passenger seat. Base is designed to match contours and align with existing hole patterns for ease of installation.

**Drilling Required**

No - uses existing seat bolts

**Pole or Pedestal**

Included on Base

**Seat Configuration**

Bucket

**Weight**

8 lbs.

**Construction/Finish**

Steel/Black Powdercoat

**Dimensions**

A = 14.473", B = 9.875", C = 11.5"

Innermost Hole Center = 7"

**Features**

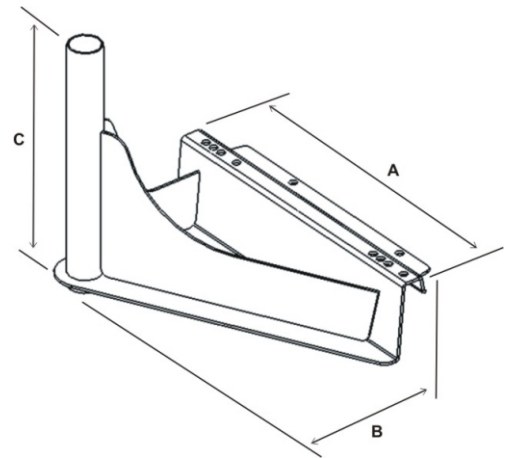
Installs in minutes with no drilling required  
Low profile keeps mount away from passenger leg space

**Misc.**

Rock solid construction  
Lifetime warranty



RAM-VB-140-SW1



RAM-VB-140

**RAM Mounting Systems**

8410 Dallas Ave S  
Seattle, WA 98108  
Phone: (206) 763-8361  
Fax: (206) 763-9615  
www.rammount.com  
support@rammount.com



RMR-INS-VB-140

**Item Number** \_\_\_\_\_

RAM-VB-140 & RAM-VB-140-SW1

# RAM No-Drill™ Seat Bases

RAM Mounting Systems

**Vehicle base for the  
SEMI TRUCKS WITH NATIONAL SEATING CAPTAIN'S CHAIR  
(2006-2011)**

## INSTALLATION INSTRUCTIONS

1. Remove the two nuts that hold the seat rail track to the seat frame. These are located on the lefthand side, underneath the seat. Remove metal framework of chair skirt
2. Place the custom metal base over the mounting bolts that hold the seat track to the seat frame, tube facing up.
3. While holding the metal base in place, replace metal skirt frame and put the nuts back onto the seat track bolts and fully tighten.

**RAM Mounting Systems**  
8410 Dallas Ave S  
Seattle, WA 98108  
Phone: (206) 763-8361  
Fax: (206) 763-9615  
[www.rammount.com](http://www.rammount.com)  
[support@rammount.com](mailto:support@rammount.com)



RMR-INS-VB-140