

Item Number
RAM-VB-153

RAM No-Drill™ Seat Bases

RAM Mounting Systems

**Vehicle base for the
TOYOTA SIENNA (2005-2008)**

SPECIFICATIONS

Placement

Passenger side of vehicle, front, where seat frame attaches to floor board.

Drilling Required

No - uses existing seat bolts

Seat Configuration

Bucket

Construction/Finish

Steel/Black Powdercoat

Pole or Pedestal

Sold Separately

Weight 4.8 lbs.

Dimensions

A = 18.32", B = 7.125", C = 2.625"

Hole Center = 17"

Features

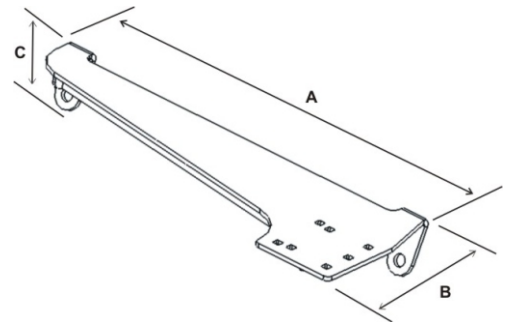
Installs in minutes with no drilling required
Low profile keeps mount away from passenger leg space

Misc.

Rock solid construction
Lifetime warranty



Shown In Use



RAM-VB-153

RAM Mounting Systems
8410 Dallas Ave S
Seattle, WA 98108
Phone: (206) 763-8361
Fax: (206) 763-9615
www.rammount.com
support@rammount.com



RMR-INS-VB-153

Item Number
RAM-VB-153

RAM No-Drill™ Seat Bases

RAM Mounting Systems

**Vehicle base for the
TOYOTA SIENNA (2005-2008)**

INSTALLATION INSTRUCTIONS

1. Move the passenger seat back to its rearmost position and remove the front seat rail bolts.
2. Without moving the seat, place the No-Drill™ base over the front of the seat frame legs.
3. Align the holes in the base with those of the seat frame legs. The pedestal platform should be near the console.
4. Re-install the seat bolts and fully tighten.



RAM Mounting Systems
8410 Dallas Ave S
Seattle, WA 98108
Phone: (206) 763-8361
Fax: (206) 763-9615
www.rammount.com
support@rammount.com



RMR-INS-VB-153