

**Item Number** \_\_\_\_\_

RAM-VB-129-A & RAM-VB-129-A-SW1

# RAM No-Drill™ Seat Bases

RAM Mounting Systems

## COMPATIBLE VEHICLES:

Ram Promaster 2014-2015

## SPECIFICATIONS

### Placement

Passenger side between seat track and seat frame box or floor board.

### Drilling Required

No - uses existing seat bolts

### Seat Configuration

Bucket Seats. See installation photos.

### Construction/Finish

Steel/Black Powdercoat

### Dimensions

A = 19.375" B = 7.125"

Hole Center = 16.5"

### Pole or Pedestal

Purchased Separatel

**Weight** = 3.6 lbs.

## Features

Installs with no drilling required  
Minimal intrusion into passenger leg space

## Important Note

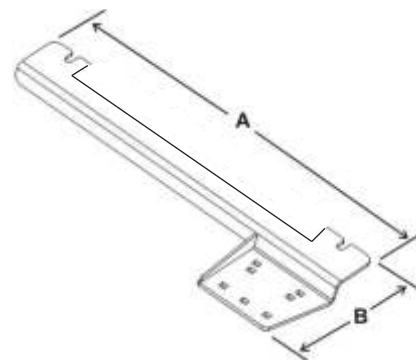
For bench seat or tube frame seat model vehicles, consider the use of the RAM-VB-184T. The RAM-VB-129-A will not work for tube frame seats. See the installation photos on this sheet. If your seating style does not match these photos, this base will not work in your vehicle.

### RAM Mounting Systems

8410 Dallas Ave S  
Seattle, WA 98108  
Phone: (206) 763-8361  
Fax: (206) 763-9615  
www.rammount.com  
support@rammount.com



RAM-VB-129-A-SW1



RAM-VB-129-A



RMR-INS-VB-129

**Item Number** \_\_\_\_\_

RAM-VB-129-A & RAM-VB-129-A-SW1

# RAM No-Drill™ Seat Bases

RAM Mounting Systems

## COMPATIBLE VEHICLES:

Ram Promaster 2014-2015

## INSTALLATION INSTRUCTIONS

If you are using a RAM Tele-Pole system, attach the lower female tube prior to installing the no drill base in the vehicle. It is suggested to install the mounting hardware so the rubber nut caps are on the top side.

1. Loosen the seat track bolts on the passenger side that hold the seat track to the seat frame box. These are located at the front center of the seat tracks. It is not necessary to remove these. Only loosen the bolts enough to clear the no drill base using a T-40 Torx bit.
2. Once the bolts are loose, gently lift the front of the seat to create enough space ( 1/4" ) for the base to fit between the seat track and seat box.
3. Align the slots with the seat hardware and slide into place.
4. Once the base is in position, fully tighten the hardware to secure the no drill base in place.

Promaster City



Promaster



**RAM Mounting Systems**  
8410 Dallas Ave S  
Seattle, WA 98108  
Phone: (206) 763-8361  
Fax: (206) 763-9615  
www.rammount.com  
support@rammount.com



RMR-INS-VB-129