

USER MANUAL

KVD200-2H

2-PORT 4K HDMI DH KVM SWITCH

24/7 TECHNICAL SUPPORT AT 1.877.877.2269 OR VISIT BLACKBOX.COM

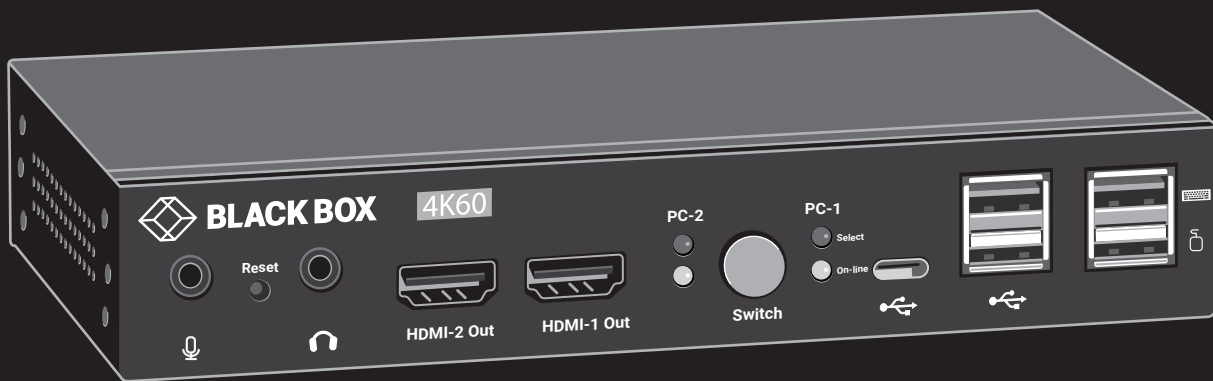


TABLE OF CONTENTS

1. SPECIFICATIONS.....	3
2. OVERVIEW.....	4
2.1 Introduction.....	4
2.2 Features	4
2.3 What's Included.....	4
2.4 Hardware Description	5
3. INSTALLATION	7
3.1 Installation Diagram	7
3.2 Installation Steps	7
4. OPERATION.....	9
4.1 PC Port Switching.....	9
4.1.1 Manual Pushbutton.....	9
4.1.2 Hotkey Commands	9
APPENDIX A. REGULATORY INFORMATION	10
A.1 FCC Class A Statement	10
A.2 NOM Statement	11
APPENDIX B. DISCLAIMER/TRADEMARKS	12
B.1 Disclaimer	12
B.2 Trademarks Used in this Manual	12



CHAPTER 1: SPECIFICATIONS

1. SPECIFICATIONS

TABLE 1-1. SPECIFICATIONS

SPECIFICATION	DESCRIPTION
Connectors	Console Ports: (2) HDMI female for output (2) USB Type A female for HID devices (2) USB 3.2 Gen 1 Type-A female for peripheral sharing (1) USB 3.2 Gen 1 Type-C female for peripheral sharing (2) 3.5-mm audio phone jacks PC Ports: (2) HDMI female for input (2) DisplayPort female for input (2) USB 3.2 Gen 1 Type B female (4) 3.5-mm audio phone jacks Other: (1) 1.7-mm barrel plug for power
Console x PC	1 x 2
PC Port switch interface	(1) pushbutton
LED interface	1. To show PC port selection status 2. To show PC port connection status
Storage Temperature	-4 to +140° F (-20 to +60° C)
Operating Humidity	0 to 80% relative humidity
Power	Input: 100 to 240 VAC, 50/60 Hz, 0.8 A; Output: 12 V, 2 A
Dimensions	1.26" H x 7.08" W x 3.86" D (3.2 x 18.0 x 9.8 cm)
Weight	1.09 lb. (0.495 kg)
Certifications	FCC Class A, CE

CHAPTER 2: OVERVIEW

2.1 INTRODUCTION

The 2-Port 4K HDMI Dual-head KVM Switch allows the control of two computers with 4K dual HDMI video output via a single console set of USB keyboard/mouse/hub, microphone, speaker, and display. The 2-Port 4K HDMI Dual-head KVM Switch has built-in USB 3.2 Gen 1 compliant and 3.5-mm mini stereo ports that allow sharing of USB keyboard/mouse/hub, speaker, and microphone among the connected computers. Switch between the connected computers using the front-panel pushbutton or keyboard hotkey commands. The switch includes a USB-C interface for high-speed data transfer/high-speed peripherals. Product setup is quick and simple with no software to install, so you're ready to go right out of the box.

2.2 FEATURES

- ◆ Control two computers via one USB console.
- ◆ Support computers with resolutions up to 4K UHD (3840 x 2160 @ 60 Hz) dual HDMI video output
- ◆ Complies with HDMI 2.0, DisplayPort 1.2, and HDCP 2.2 standards.
- ◆ PC source video — dual input: (1) HDMI, (1) DisplayPort
- ◆ Switch by pushbutton and keyboard hotkeys.
- ◆ Computers and devices can be unplugged and re-plugged without having to shut down the KVM switch.
- ◆ Indicate the connected computers' statuses clearly via LEDs.
- ◆ USB 3.2 Gen 1 compliant keyboard/mouse enable you to control the computer conveniently and easily.
- ◆ USB 3.2 Gen 1 Hub: USB transparency is suitable for a variety of peripherals. Includes a USB-C interface for high-speed data transfer/high-speed peripherals.
- ◆ 3.5-mm mini stereo ports (speaker and microphone) support the computer's audio line in/out.
- ◆ No software drivers are needed.

2.3 WHAT'S INCLUDED

Your package should contain the following items. If anything is missing or damaged, contact Black Box Technical Support at 877-877-2269 or info@blackbox.com

- ◆ (1) 2-Port 4K HDMI Dual-head KVM Switch (with audio line in/out and USB hub)
- ◆ (1) External Power Supply (Input: 100 to 240 V, 50/60 Hz, 0.4 A; Output: 5 V, 2 A) (includes US, EU, UK, AU plug types)



2.4 HARDWARE DESCRIPTION

Figure 2-1 shows the front panel of the KVM switch. Figure 2-2 shows the back panel. Tables 2-1 and 2-2 describe the components.

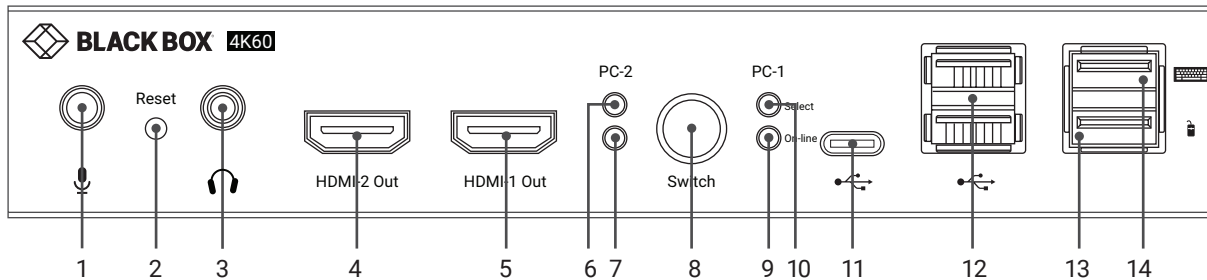


FIGURE 2-1. FRONT PANEL

TABLE 2-1. FRONT-PANEL SWITCH COMPONENTS

NUMBER IN FIGURE 2-1	COMPONENT	DESCRIPTION
1	(1) Audio jack	Microphone port at console
2	(1) Reset pushbutton	Press to reset system to default
3	(1) Audio jack	Speaker/earphone port at console
4	(1) HDMI connector	HDMI output at console for PC2
5	(1) HDMI connector	HDMI output at console for PC1
6, 10	Selected PC/server indicator (Red)	Light to indicate that the PC/server is connected to the corresponding port is being accessed by the KVM console
7, 9	On-line PC/server indicator (Green)	Light to indicate that the PC/server connected to the corresponding port is up and running
8	PC port switch push button	Press once to switch the console port connection between the two connected PC/server cyclically
11	(1) USB 3.2 Gen 1 Gen1 Type C connector	USB port at console for peripheral*
12	(2) USB 3.2 Gen 1 Gen1 Type A connector	USB hub ports at console for peripherals*
13	(1) USB Type A connector	USB mouse port at console
14	(1) USB Type A connector	USB keyboard port at console

*It only supports data transmission for USB peripherals, such as USB Flash Drive.

CHAPTER 2: OVERVIEW

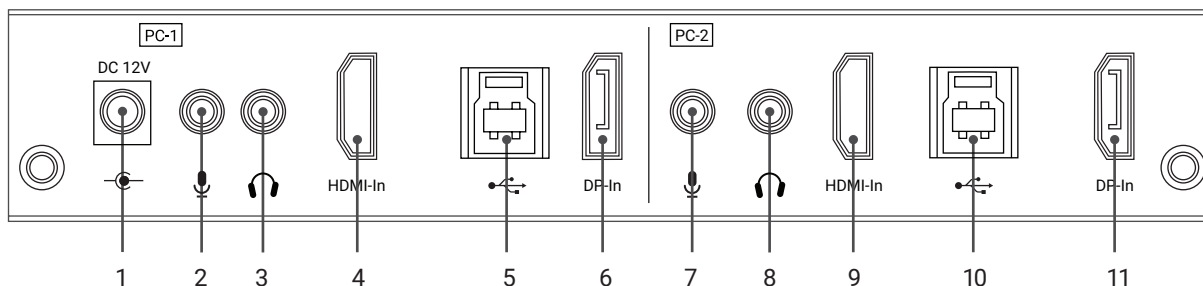


FIGURE 2-2. BACK PANEL

TABLE 2-2. BACK-PANEL SWITCH COMPONENTS

NUMBER IN FIGURE 2-2	COMPONENT	DESCRIPTION
1	(1) Power DC Jack	Connect the power supply to the KVM switch here
2	(1) Audio jack	Microphone port for PC-1
3	(1) Audio jack	Speaker/Earphone port for PC-1
4	(1) HDMI connector	HDMI input for PC-1
5	(1) USB Type B connector	USB port for PC-1
6	(1) DisplayPort connector	DisplayPort input for PC-1
7,	(1) Audio jack	Microphone port for PC-2
8	(1) Audio jack	Speaker/Earphone port for PC-2
9	(1) HDMI connector	HDMI input for PC-2
10	(1) USB Type B connector	USB port for PC-2
11	(1) DisplayPort connector	DisplayPort input for PC-2

CHAPTER 3: INSTALLATION

3.1 INSTALLATION STEPS

Refer to the following diagrams and steps to set up your KVM switch installation.

3.1.1 CONSOLE SIDE

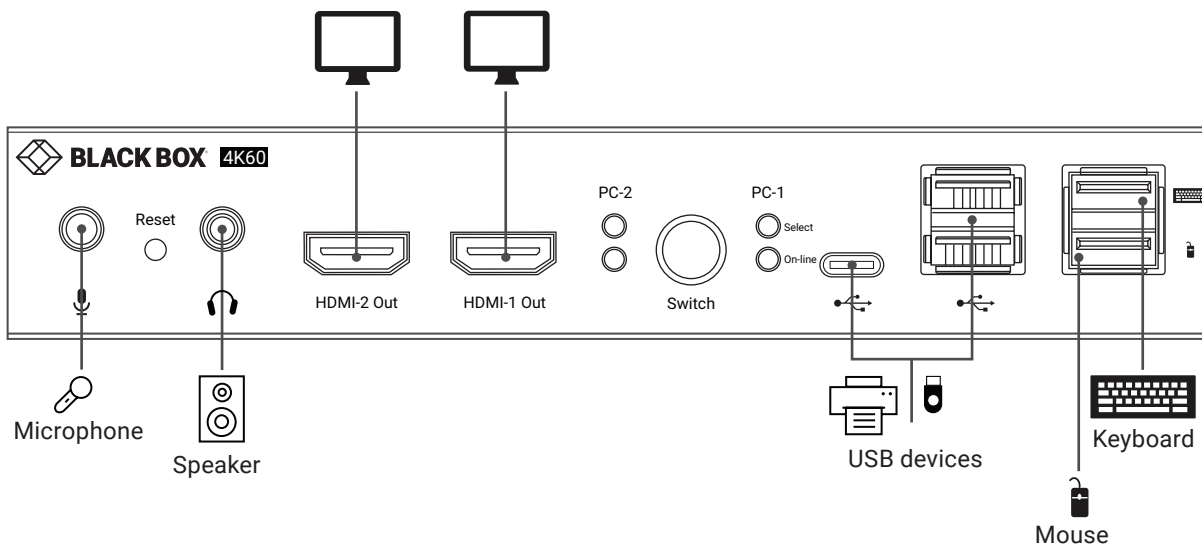


FIGURE 3-1. CONSOLE SIDE (FRONT VIEW)

1. Connect HDMI monitors to the “HDMI Out” console ports on the front panel of the KVM switch.
2. Connect your USB keyboard and USB mouse directly to the USB keyboard and mouse ports on the front panel of the KVM switch.
3. Connect the microphone and speaker to the corresponding 3.5 mm Mini Stereo console jacks on the front panel of the KVM switch.
4. Connect your USB devices into the USB ports. (Optional)

CHAPTER 3: INSTALLATION

3.1.2 PC SIDE

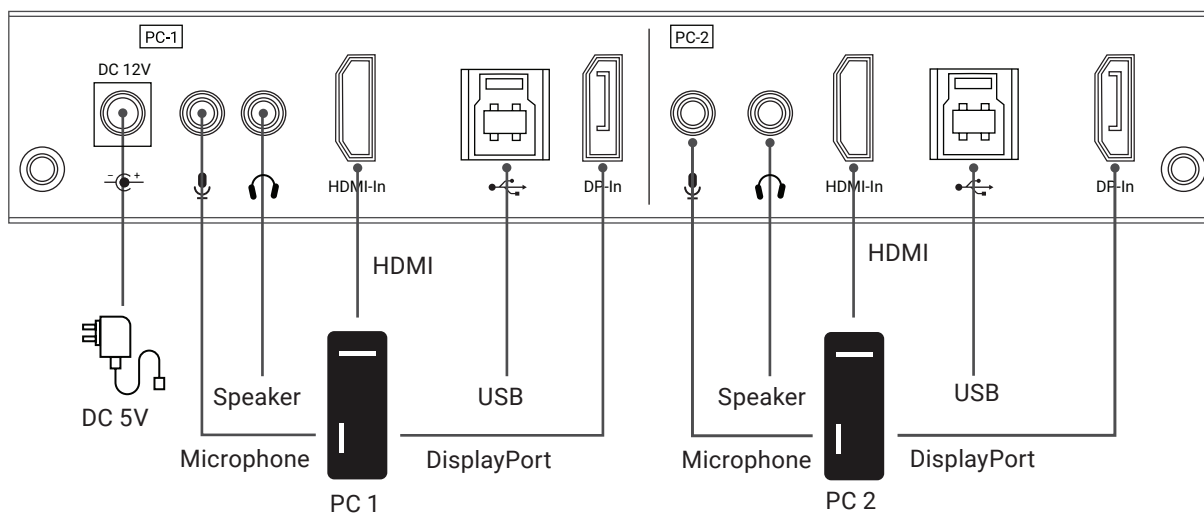


FIGURE 3-2. PC SIDE (BACK VIEW)

1. Be prepared with the related cables, plug the DisplayPort/HDMI, USB, microphone, and speaker connectors into their corresponding sockets on the back panel of the KVM switch
2. At the other end of the cable set, plug the DisplayPort/HDMI, USB, microphone, and speaker connectors into their respective ports on the first computer (PC-1).
3. Repeat above steps to add the second computer (PC-2).
4. Connect the power supply to the KVM switch, and then plug it into an appropriate power source.
5. Turn on the power to all connected devices.

CHAPTER 4: OPERATION

4.1 PC PORT SWITCHING

There are two ways to access computers and devices connected to the KVM switch:

- ♦ Manual Pushbutton
- ♦ Hotkeys

4.1.1 MANUAL PUSHBUTTON

Press the pushbutton once, switching the selected PC port among the two connected computers cyclically.

4.1.2 HOTKEY COMMANDS

Hotkey commands are executed using only the keyboard.

The following procedure describes the hotkey functionality availability.

Hotkey Execution Procedure

1. Press the [Scroll Lock] key twice continuously to enter Hotkey mode. While in Hotkey mode, the Scroll Lock LED of the keyboard flashes continuously. When entering or exiting from Hotkey mode, the buzzer of the KVM switch beeps.
2. Press the [Scroll Lock] key twice continuously within 5 seconds.
3. Key in the hotkey command within 10 seconds, or it will be aborted if the time exceeds 10 seconds.

TABLE 4-1. HOTKEY COMMANDS

NUMBER	HOTKEY COMMAND	DESCRIPTION	FUNCTION
1	[Scroll Lock] [Scroll Lock] [Enter] or [Ctrl] [Ctrl] [Enter]	PC-1 PC-2	PC port cyclic switching
2	[Scroll Lock] [Scroll Lock] [B] [Number] or [Ctrl] [Ctrl] [B] [Number]	Number: 0/1 0: Disable 1: Enable (Default)	Buzzer switch on/off
3	[Scroll Lock] [Scroll Lock] [S] or [Ctrl] [Ctrl] [S]	How to stop Auto-Scan when it's on: 1. Press any key on the keyboard. 2. Press the pushbutton once. When Auto-Scan stops, the PC port is switched to the one being scanned.	Auto-Scan enabling
4	[Scroll Lock] [Scroll Lock] [I] [Number] [Enter] or [Ctrl] [Ctrl] [I] [Number] [Enter]	Number: 5 to 99 (Default: 5)	Auto-Scan time interval setting

NOTE: All hotkey value settings of the KVM switch return to default when it restarts.

APPENDIX A: REGULATORY INFORMATION

A.1 FCC CLASS A STATEMENT

This equipment generates, uses, and can radiate radio-frequency energy, and if not installed and used properly, that is, in strict accordance with the manufacturer's instructions, may cause interference to radio communication. It has been tested and found to comply with the limits for a Class A computing device in accordance with the specifications in Subpart B of Part 15 of FCC rules, which are designed to provide reasonable protection against such interference when the equipment is operated in a commercial environment. Operation of this equipment in a residential area is likely to cause interference, in which case the user at his own expense will be required to take whatever measures may be necessary to correct the interference.

Changes or modifications not expressly approved by the party responsible for compliance could void the user's authority to operate the equipment.

This digital apparatus does not exceed the Class A limits for radio noise emission from digital apparatus set out in the Radio Interference Regulation of Industry Canada.

Le présent appareil numérique n'émet pas de bruits radioélectriques dépassant les limites applicables aux appareils numériques de classe A prescrites dans le Règlement sur le brouillage radioélectrique publié par Industrie Canada.



APPENDIX A: REGULATORY INFORMATION

A.2 NOM STATEMENT

1. Todas las instrucciones de seguridad y operación deberán ser leídas antes de que el aparato eléctrico sea operado.
2. Las instrucciones de seguridad y operación deberán ser guardadas para referencia futura.
3. Todas las advertencias en el aparato eléctrico y en sus instrucciones de operación deben ser respetadas.
4. Todas las instrucciones de operación y uso deben ser seguidas.
5. El aparato eléctrico no deberá ser usado cerca del agua—por ejemplo, cerca de la tina de baño, lavabo, sótano mojado o cerca de una alberca, etc.
6. El aparato eléctrico debe ser usado únicamente con carritos o pedestales que sean recomendados por el fabricante.
7. El aparato eléctrico debe ser montado a la pared o al techo sólo como sea recomendado por el fabricante.
8. Servicio—El usuario no debe intentar dar servicio al equipo eléctrico más allá a lo descrito en las instrucciones de operación. Todo otro servicio deberá ser referido a personal de servicio calificado.
9. El aparato eléctrico debe ser situado de tal manera que su posición no interfiera su uso. La colocación del aparato eléctrico sobre una cama, sofá, alfombra o superficie similar puede bloquea la ventilación, no se debe colocar en libreros o gabinetes que impidan el flujo de aire por los orificios de ventilación.
10. El equipo eléctrico deber ser situado fuera del alcance de fuentes de calor como radiadores, registros de calor, estufas u otros aparatos (incluyendo amplificadores) que producen calor.
11. El aparato eléctrico deberá ser conectado a una fuente de poder sólo del tipo descrito en el instructivo de operación, o como se indique en el aparato.
12. Precaución debe ser tomada de tal manera que la tierra física y la polarización del equipo no sea eliminada.
13. Los cables de la fuente de poder deben ser guiados de tal manera que no sean pisados ni pellizcados por objetos colocados sobre o contra ellos, poniendo particular atención a los contactos y receptáculos donde salen del aparato.
14. El equipo eléctrico debe ser limpiado únicamente de acuerdo a las recomendaciones del fabricante.
15. En caso de existir, una antena externa deberá ser localizada lejos de las líneas de energía.
16. El cable de corriente deberá ser desconectado del cuando el equipo no sea usado por un largo periodo de tiempo.
17. Cuidado debe ser tomado de tal manera que objetos líquidos no sean derramados sobre la cubierta u orificios de ventilación.
18. Servicio por personal calificado deberá ser provisto cuando:
 - A: El cable de poder o el contacto ha sido dañado; u
 - B: Objetos han caído o líquido ha sido derramado dentro del aparato; o
 - C: El aparato ha sido expuesto a la lluvia; o
 - D: El aparato parece no operar normalmente o muestra un cambio en su desempeño; o
 - E: El aparato ha sido tirado o su cubierta ha sido dañada.



APPENDIX B: DISCLAIMER/TRADEMARKS

B.1 DISCLAIMER

Black Box Corporation shall not be liable for damages of any kind, including, but not limited to, punitive, consequential or cost of cover damages, resulting from any errors in the product information or specifications set forth in this document and Black Box Corporation may revise this document at any time without notice.

B.2 TRADEMARKS USED IN THIS MANUAL

Black Box and the Black Box logo type and mark are registered trademarks of Black Box Corporation.

Any other trademarks mentioned in this manual are acknowledged to be the property of the trademark owners.



**NEED HELP?
LEAVE THE TECH TO US**

**LIVE 24/7
TECHNICAL
SUPPORT**

1.877.877.2269

