

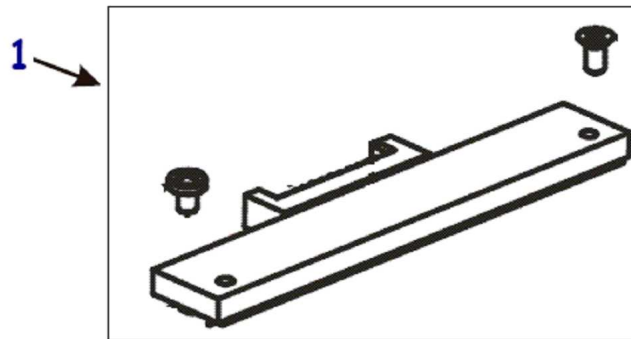


KR203 Parts Catalog



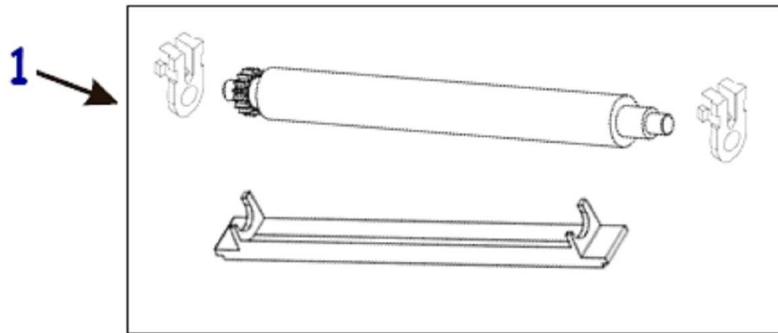
KR203 Parts Catalog

Printhead



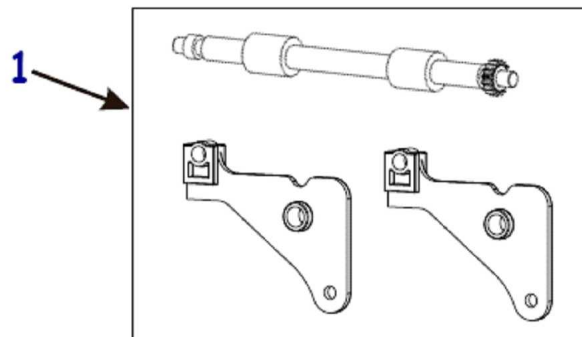
Item Number	Description	Part Number	Kit Quantity
1	Kit Printhead KR Series	P1015397	1
	Kit Cable for Printhead KR203 (Qty of 3)	P1027717	3

Platen Roller



Item Number	Description	Part Number	Kit Quantity
1	Kit Platen Roller KR Series (Qty of 3)	P1015402	3

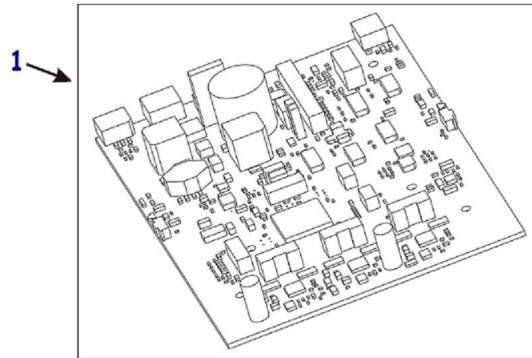
Feed Roller



Item Number	Description	Part Number	Kit Quantity
1	Kit Feed Rollers KR203 (Qty of 3)	P1027718	3

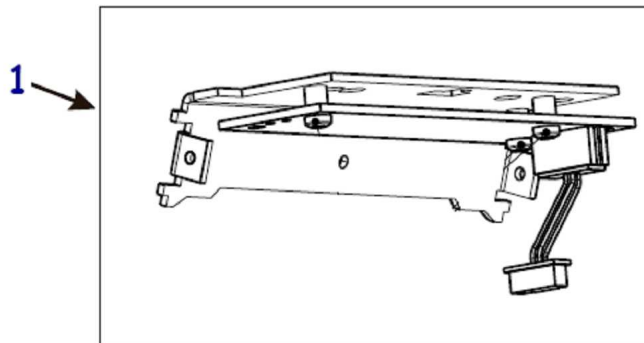
KR203 Parts Catalog

Main Logic Board



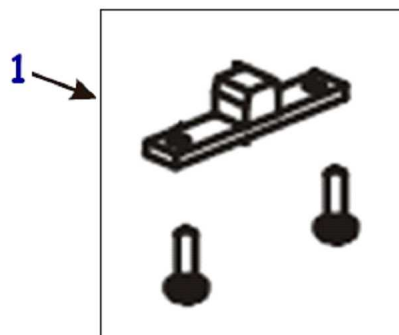
Item Number	Description	Part Number	Kit Quantity
1	Kit Main Logic Board KR203	P1027720	1

Main Media Sensor (Black Mark)



Item Number	Description	Part Number	Kit Quantity
1	Kit Media Sensor Black Mark KR203	P1027721	1

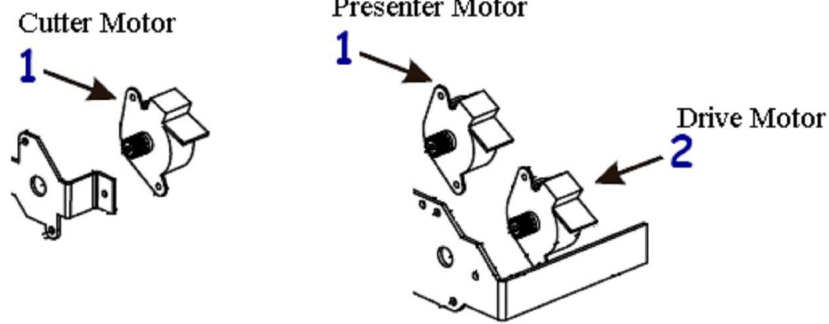
Media Position Sensor



Item Number	Description	Part Number	Kit Quantity
1	Kit Presenter Media Sensor KR203 (Qty of 2)	P1027722	2

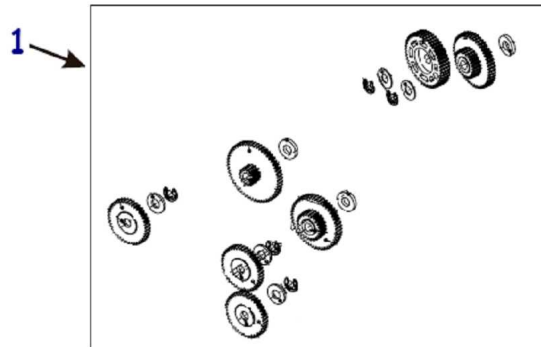
KR203 Parts Catalog

Motors



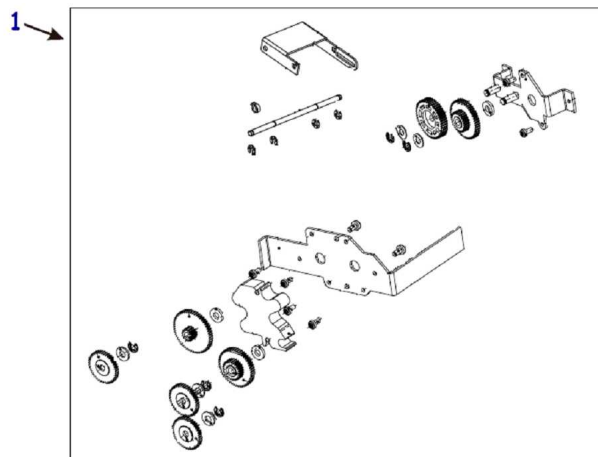
Item Number	Description	Part Number	Kit Quantity
1	Kit Cutter and Presenter Motor (The same type of motor drives the cutter and presenter) KR Series (Qty of 2)	P1019863	2
2	Kit Drive Motor (The drive motor is different from the cutter/presenter motor) KR Series (Qty of 2)	P1019866	2

Drive Gears



Item Number	Description	Part Number	Kit Quantity
1	Kit Drive Gears for Drive System KR Series & TTP2000	P1014137	1

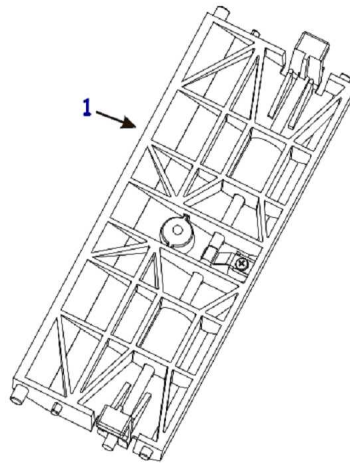
Drive System



Item Number	Description	Part Number	Kit Quantity
1	Kit Drive System Hardware KR Series	P1019867	1

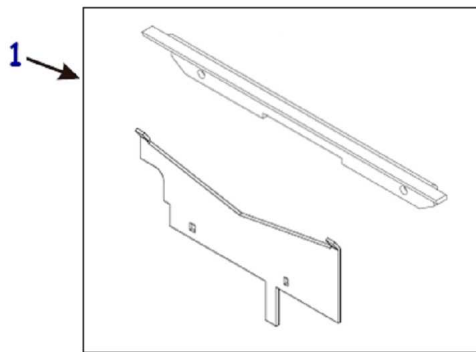
KR203 Parts Catalog

Media Guide Roller Assembly



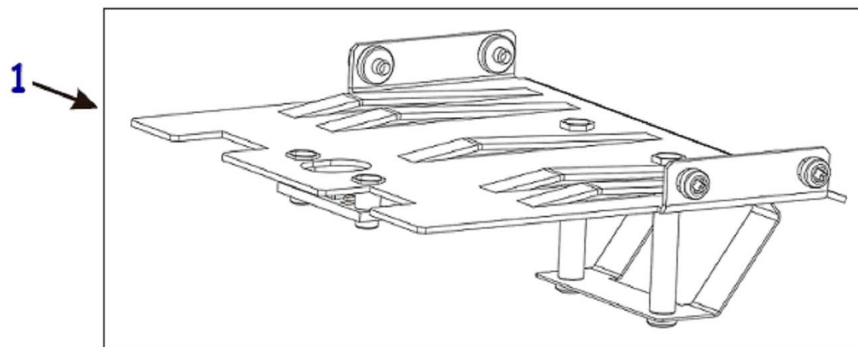
Item Number	Description	Part Number	Kit Quantity
1	Kit Media Guide Roller Assembly KR203	P1027719	1

Cutter Blades



Item Number	Description	Part Number	Kit Quantity
1	Kit Cutter Blades KR203 (1 each)	P1029776	1

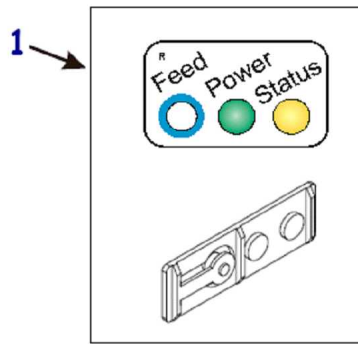
Cover Plate Assembly



Item Number	Description	Part Number	Kit Quantity
1	Kit Cover Plate Assembly KR203	P1027723	1

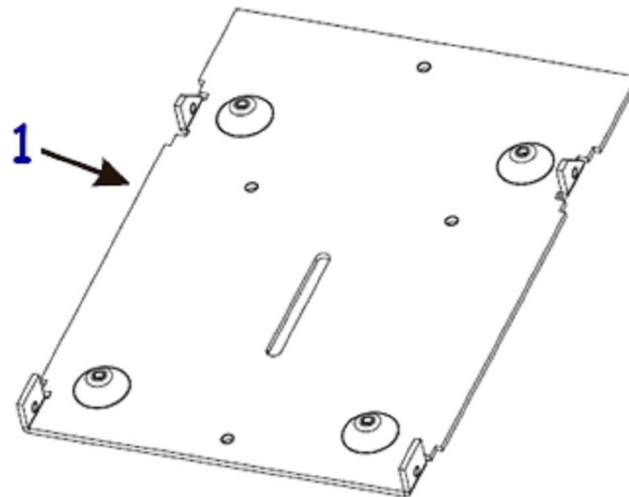
KR203 Parts Catalog

Control Panels



Item Number	Description	Part Number	Kit Quantity
1	Kit Control Panels KR Series Left and Right side included (Qty of 3 each)	P1014144	3

Bottom Plate

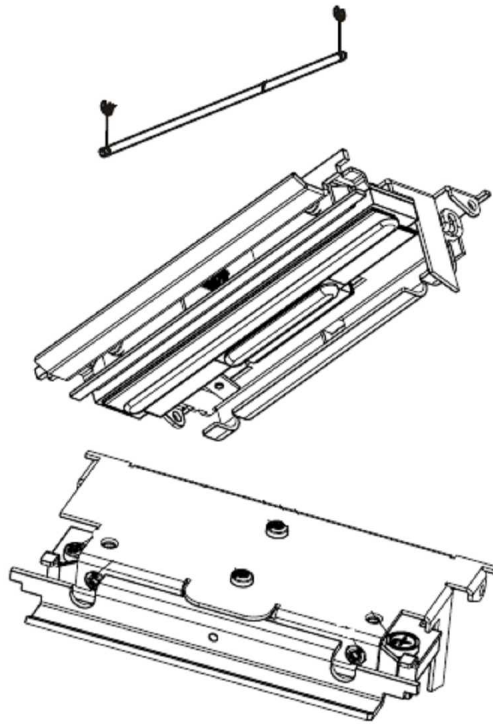


Item Number	Description	Part Number	Kit Quantity
1	Kit Bottom Plate KR203	P1027724	1



KR203 Parts Catalog

Cover for Printhead



Item Number	Description	Part Number	Kit Quantity
1	Kit Cover for the Printhead (includes printhead) KR203	P1027725	1

Miscellaenous Items

Item Number	Description	Part Number	Kit Quantity
	Kit Packing materials for printer shipping KR Series & TTP2000	P1014148	1
	Kit Springs for the Printhead Release Latch (Qty of 10)	P1014146	10
	Kit Screws M2.5x6 (Qty of 30)	P1014147	30