

VMGB-150

Metadata Camera with Built-in Human Temperature Detection



- Built-in Human Temperature Detection
- Not available in the USA

► Specifications

Device

Product Type	Metadata Camera
Product Application	Human Temperature Detection
Image Sensor	Thermal
Spectral Range	8-14 μ m
Thermal Sensitivity	NETD <40mK at F1.0
Spatial Resolution	5.48 mrad
LCD Screen	2.4" Color LCD Display; Resolution: 320 x 240

Lens

Focal Length	Fixed focal, f3.1mm
Aperture	F1.1
Horizontal Viewing Angle	37.2°
Vertical Viewing Angle	50°

Video

Built-in Analytics	Human Temperature Detection
--------------------	-----------------------------

Temperature Measurement

Temperature Range	30°C ~ 45°C (86°F ~ 113°F)
Temperature Accuracy	\pm 0.5°C

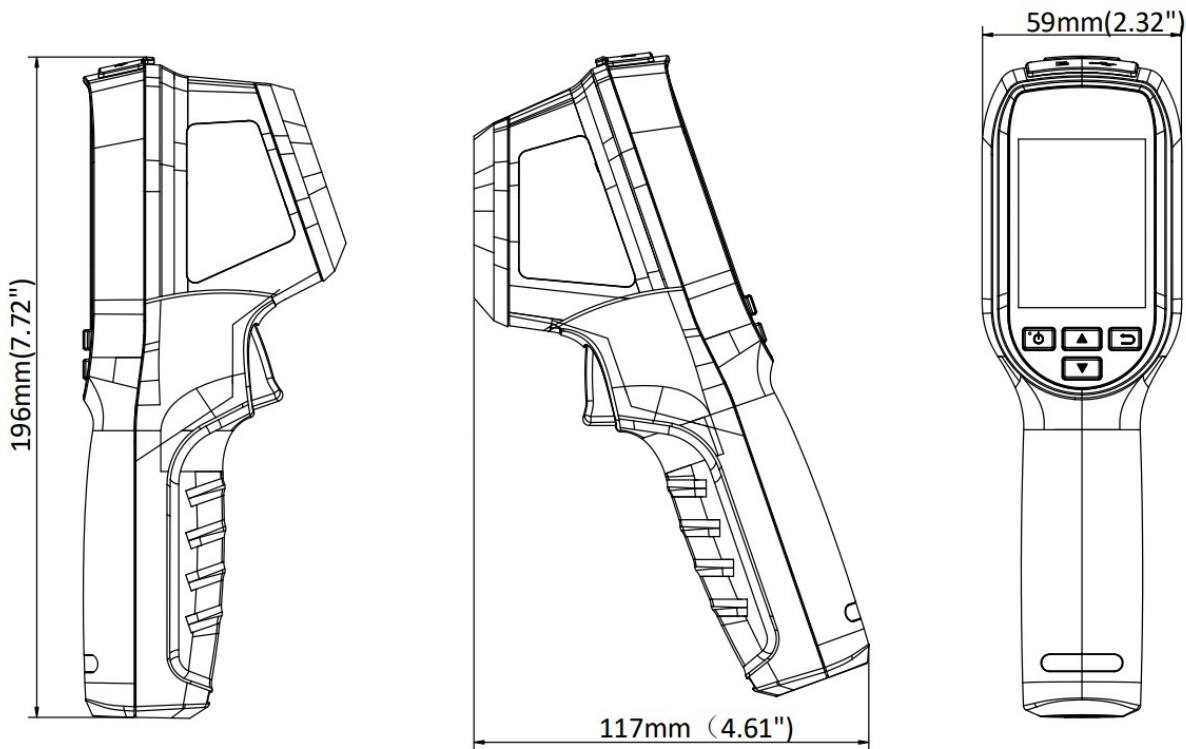
Interface

Local Storage	MicroSD memory card slot (8GB included, up to 128GB)
---------------	--

General

Power Source	0.4 A, DC 3.7V
Power Consumption	1.2 W (DC)
Weight	350g (0.77lb)
Dimensions	(W x H x D): 59mm x 196mm x 117mm (2.32" x 7.72" x 4.61")
Environmental Casing	Weather resistant (IP54)
Bundled Accessories	Power Adapter, USB cable, Rechargeable Li-ion Battery, Memory Card (8GB)
Operating Temperature	-10°C ~ 50°C (14°F ~ 122°F)
Warranty	3 Year(s). For extended warranty offering, see http://www.acti.com/support/warranty

► Dimension Diagram



Unit: mm [inch]