

# VMGB-400

## 2MP Metadata Camera with Day/Night, IR LED, Built-in Automatic License Plate Recognition



- 2 Megapixel Metadata Camera
- Day & Night with IR LED
- Built-in Automatic License Plate Recognition
- Not available in the USA

### ► Specifications

#### Device

Product Type	Metadata Camera
Maximum Resolution	2MP
Product Application	Automatic License Plate Recognition
Application Environment	Outdoor
Description	Wide Angle Camera Built-in Deep learning-based ALPR with working for vehicle speed <60km/h. (ALPR function will require particular firmware for specific country, please contact us for details.)
Image Sensor	Progressive Scan CMOS
Sensor Size	1/1.8 "
Day / Night	Yes
Low Light Sensitivity	Superior
Mechanical IR Cut Filter	Yes
IR LED	Adaptive IR LED (850 nm)
IR Working Distance	50m
Electronic Shutter	1-1/100000 second (auto mode)

#### Lens

Focal Length	Zoom, f2.8-12mm
Aperture	F1.2

Zoom Ratio	4.3x optical
Focus	Auto focus
Lens Mount	Board mount
Horizontal Viewing Angle	103.3° - 38.6°
Vertical Viewing Angle	54.2° - 21.9°
Viewing Angle Adjustment	Pan: 0°-355°, Tilt: 0°-90°, Rotation: 0°-360°

**Video**

Compression	H.265, H.264 (Baseline/ Main/ High profile), MJPEG
Maximum Frame Rate vs. Resolution	60 fps at 1920 x 1080 60 fps at 1280 x 960 60 fps at 1280 x 720 30 fps at 704 x 480 30 fps at 640 x 480
Multi-Streaming	Multiple streams
Bit Rate	32Kbps - 16Mbps (per stream)
Wide Dynamic Range	Extreme WDR (140 dB)
Image Enhancement	Defogging, Digital Image Stabilizer (DIS, EIS)
Digital Noise Reduction	3D DNR
Built-in Analytics	Automatic License Plate Recognition, Object Line Crossing Detection, Object Enter Area Detection
Image Orientation	Rotation

**Video Analytics**

Analysis Source Type	Video
Metadata Accuracy	Good

**Integration**

ONVIF Compliant	Yes, Profile S, Profile G
Supported Countries	Argentina / Australia / Austria / Bahrain / Bangladesh / Belgium / Bolivia / Brazil / Bulgaria / Cambodia / Canada / Chile / Colombia / Costa Rica / Côte d'Ivoire / Croatia / Czechia / Ecuador / Egypt / El Salvador / Estonia / France / Ghana / Greece / Hong Kong / Hungary / India / Indonesia / Iran / Iraq / Ireland / Israel / Italy / Japan / Jordan / Kazakhstan / Kenya / Korea, South / Kuwait / Kyrgyzstan / Laos / Latvia / Lebanon / Lithuania / Luxembourg / Macau / Macedonia / Malaysia / Mauritius / Mexico / Moldova / Mongolia / Morocco / Myanmar / Netherlands / New Zealand / Nigeria / Oman / Pakistan / Palestine / Panama / Paraguay / Peru / Philippines / Poland / Qatar / Russia / Saudi Arabia / Sierra Leone / Singapore / Slovakia / South Africa / Spain / Switzerland / Taiwan / Tanzania / Thailand / Tunisia / Turkey / Ukraine / United Arab Emirates / United Kingdom / Uruguay / Uzbekistan / Vietnam / Zambia / Zimbabwe

**Interface**

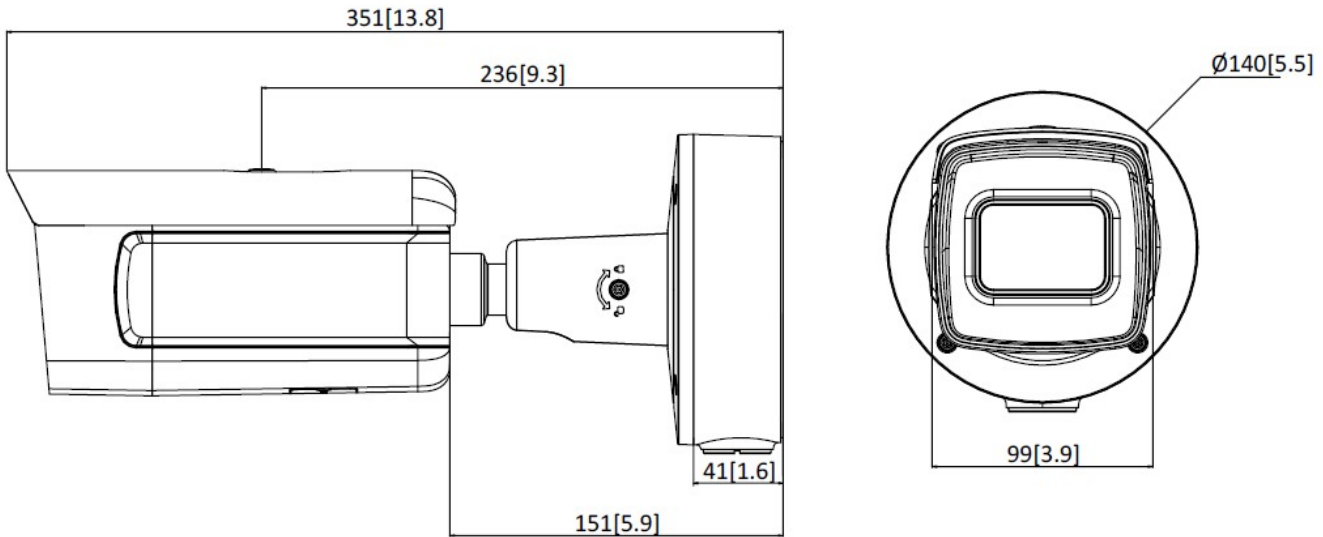
Local Storage	MicroSD, MicroSDHC, MicroSDXC Memory Card Slot (card not included, up to 256GB)
Digital Input/Output	2/2

**General**

Power Source	DC 12V, High PoE (IEEE802.3at)
Power Consumption	14 W (DC)
Weight	2500g (5.51lb)
Dimensions	(Ø x L): 140mm x 351mm (5.5" x 13.8")
Environmental Casing	Weatherproof (IP67), Vandal proof metal casing (IK10)

Heater	No
Operating Temperature	-30°C ~ 60°C (-22°F ~ 140°F)
Warranty	3 Year(s)

### ▶ Dimension Diagram



Unit: mm [inch]

### ▶ Ordering Information

VMGB-400-1	2MP ALPR Metadata Camera with D/N, IR, Extreme WDR, SLLS, 4.3x Zoom lens, f2.8-12mm/F1.2-2.5 (HOV:103.3°-38.6°), H.265/H.264, 3D DNR, MicroSDHC/MicroSDXC, PoE/DC12V, IP67, IK10 (metal casing), DI/DO, RS-485, Built-in Analytics. Supported Territory: Asia Pacific (Laos and Thailand).
VMGB-400-10	2MP ALPR Metadata Camera with D/N, IR, Extreme WDR, SLLS, 4.3x Zoom lens, f2.8-12mm/F1.2-2.5 (HOV:103.3°-38.6°), H.265/H.264, 3D DNR, MicroSDHC/MicroSDXC, PoE/DC12V, IP67, IK10 (metal casing), DI/DO, RS-485, Built-in Analytics. Supported Territory: Latin America (Argentina, Bolivia, Brazil, Chile, Colombia, Costa Rica, Ecuador, Mexico, Panama, Paraguay, Peru, El Salvador, and Uruguay), Africa (Côte d'Ivoire, Ghana, Kenya, Mauritius, Morocco, Nigeria, Sierra Leone, South Africa, Tanzania, Tunisia, Zambia, and Zimbabwe), North America (Canada).
VMGB-400-11	2MP ALPR Metadata Camera with D/N, IR, Extreme WDR, SLLS, 4.3x Zoom lens, f2.8-12mm/F1.2-2.5 (HOV:103.3°-38.6°), H.265/H.264, 3D DNR, MicroSDHC/MicroSDXC, PoE/DC12V, IP67, IK10 (metal casing), DI/DO, RS-485, Built-in Analytics. Supported Territory: Middle East (Bahrain, Egypt, Iraq, Jordan, Kuwait, Lebanon, Oman, Qatar, Saudi Arabia, and United Arab Emirates).
VMGB-400-12	2MP ALPR Metadata Camera with D/N, IR, Extreme WDR, SLLS, 4.3x Zoom lens, f2.8-12mm/F1.2-2.5 (HOV:103.3°-38.6°), H.265/H.264, 3D DNR, MicroSDHC/MicroSDXC, PoE/DC12V, IP67, IK10 (metal casing), DI/DO, RS-485, Built-in Analytics. Supported Territory: Middle East (Iran).
VMGB-400-2	2MP ALPR Metadata Camera with D/N, IR, Extreme WDR, SLLS, 4.3x Zoom lens, f2.8-12mm/F1.2-2.5 (HOV:103.3°-38.6°), H.265/H.264, 3D DNR, MicroSDHC/MicroSDXC, PoE/DC12V, IP67, IK10 (metal casing), DI/DO, RS-485, Built-in Analytics. Supported Territory: Asia Pacific (Hong Kong and Macau).

VMGB-400-3	2MP ALPR Metadata Camera with D/N, IR, Extreme WDR, SLLS, 4.3x Zoom lens, f2.8-12mm/F1.2-2.5 (HOV:103.3°-38.6°), H.265/H.264, 3D DNR, MicroSDHC/MicroSDXC, PoE/DC12V, IP67, IK10 (metal casing), DI/DO, RS-485, Built-in Analytics. Supported Territory: Asia Pacific (Malaysia and Singapore).
VMGB-400-4	2MP ALPR Metadata Camera with D/N, IR, Extreme WDR, SLLS, 4.3x Zoom lens, f2.8-12mm/F1.2-2.5 (HOV:103.3°-38.6°), H.265/H.264, 3D DNR, MicroSDHC/MicroSDXC, PoE/DC12V, IP67, IK10 (metal casing), DI/DO, RS-485, Built-in Analytics. Supported Territory: Asia Pacific (South Korea).
VMGB-400-5	2MP ALPR Metadata Camera with D/N, IR, Extreme WDR, SLLS, 4.3x Zoom lens, f2.8-12mm/F1.2-2.5 (HOV:103.3°-38.6°), H.265/H.264, 3D DNR, MicroSDHC/MicroSDXC, PoE/DC12V, IP67, IK10 (metal casing), DI/DO, RS-485, Built-in Analytics. Supported Territory: Asia Pacific (Japan).
VMGB-400-6	2MP ALPR Metadata Camera with D/N, IR, Extreme WDR, SLLS, 4.3x Zoom lens, f2.8-12mm/F1.2-2.5 (HOV:103.3°-38.6°), H.265/H.264, 3D DNR, MicroSDHC/MicroSDXC, PoE/DC12V, IP67, IK10 (metal casing), DI/DO, RS-485, Built-in Analytics. Supported Territory: Asia Pacific (Bangladesh).
VMGB-400-7	2MP ALPR Metadata Camera with D/N, IR, Extreme WDR, SLLS, 4.3x Zoom lens, f2.8-12mm/F1.2-2.5 (HOV:103.3°-38.6°), H.265/H.264, 3D DNR, MicroSDHC/MicroSDXC, PoE/DC12V, IP67, IK10 (metal casing), DI/DO, RS-485, Built-in Analytics. Supported Territory: Asia Pacific (India).
VMGB-400-8	2MP ALPR Metadata Camera with D/N, IR, Extreme WDR, SLLS, 4.3x Zoom lens, f2.8-12mm/F1.2-2.5 (HOV:103.3°-38.6°), H.265/H.264, 3D DNR, MicroSDHC/MicroSDXC, PoE/DC12V, IP67, IK10 (metal casing), DI/DO, RS-485, Built-in Analytics. Supported Territory: Europe & Middle East (Austria, Belgium, Bulgaria, Croatia, Czech Republic, Estonia, France, Greece, Hungary, Ireland, Italy, Kazakhstan, Kyrgyzstan, Latvia, Lithuania, Luxembourg, Macedonia, Moldova, Mongolia, Netherlands, Palestine, Poland, Russia, Slovakia, Spain, Switzerland, Turkey, Ukraine, United Kingdom, and Uzbekistan).
VMGB-400-9	2MP ALPR Metadata Camera with D/N, IR, Extreme WDR, SLLS, 4.3x Zoom lens, f2.8-12mm/F1.2-2.5 (HOV:103.3°-38.6°), H.265/H.264, 3D DNR, MicroSDHC/MicroSDXC, PoE/DC12V, IP67, IK10 (metal casing), DI/DO, RS-485, Built-in Analytics. Supported Territory: Europe & Middle East (Israel).