

Cable and Power Cord Specifications

This appendix provides cabling and port specifications for control devices and power connections and includes the following sections:

- [KVM Cable, page B-1](#)
- [Supported Power Cords and Plugs, page B-2](#)

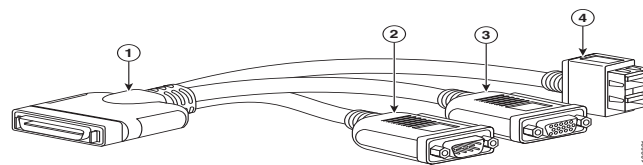
KVM Cable

The KVM cable provides a connection into the server, providing a DB9 serial connector, a VGA connector for a monitor, and dual USB ports for a keyboard and mouse. With this cable, you can create a direct connection to the operating system and the BIOS running on the server.

This server supports the following Cisco components and part numbers.

Supported Components	Part Number
KVM cable	37-1016-01

Figure B-1 KVM Cable



1	Connector to server	2	DB9 serial connector
3	VGA connection for a monitor	4	2-port USB connector for a mouse and keyboard

Supported Power Cords and Plugs

Each power supply has a separate power cord. Standard power cords or jumper power cords are available for connection to the server. The jumper power cords, for use in racks, are available as an optional alternative to the standard power cords.



Note

Only the approved power cords or jumper power cords provided with the server are supported.

Table B-1 lists the power cords for the server power supplies

Table B-1 Supported Power Cords for the Server

Description	Length		Power Cord Reference Illustration
	Feet	Meters	
CAB-250V-10A-AR Power Cord, 250 VAC 10 A IRAM 2073 Plug Argentina	8.2	2.5	Figure B-2
CAB-9K10A-AU 250 VAC 10 A 3112 Plug, Australia	8.2	2.5	Figure B-3
CAB-250V-10A-CN Power Cord, 250 VAC 10 A GB 2009 Plug China	8.2	2.5	Figure B-4
CAB-9K10A-EU Power Cord, 250 VAC 10 A M 2511 Plug Europe	8.2	2.5	Figure B-5
CAB-250V-10A-ID Power Cord, 250 VAC 16A EL-208 Plug South Africa, United Arab Emirates, India	8.2	2.5	Figure B-6
CAB-250V-10A-IS Power Cord, 250 VAC 10 A SI32 Plug Israel	8.2	2.5	Figure B-7
CAB-9K10A-IT Power Cord, 250 VAC 10 A CEI 23-16 Plug Italy	8.2	2.5	Figure B-8
CAB-9K10A-SW Power Cord, 250 VAC 10 A MP232 Plug Switzerland	8.2	2.5	Figure B-9
CAB-9K10A-UK Power Cord, 250 VAC 10 A BS1363 Plug (13 A fuse) United Kingdom	8.2	2.5	Figure B-10
CAB-AC-250V/13A Power Cord, 250 VAC 13 A IEC60320 Plug North America	6.6	2.0	Figure B-11

Table B-1 Supported Power Cords for the Server (Continued)

Description	Length		Power Cord Reference Illustration
	Feet	Meters	
CAB-N5K6A-NA Power Cord, 250 VAC 13 A NEMA 6-15 Plug, North America	8.2	2.5	Figure B-12
CAB-9K12A-NA Power cord, 125 VAC, 13 A, NEMA 5-15 Plug North America	8.2	2.5	Figure B-13
CAB-C13-C14-JMPR Cabinet Jumper Power Cord, 250 VAC 13 A, C13-C14 Connectors	2.2	0.7	Figure B-14

AC Power Cord Illustrations

This section contains the AC power cord illustrations.

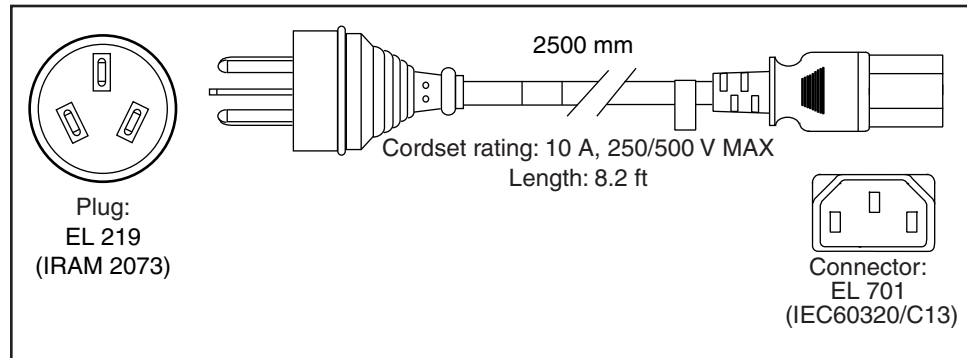
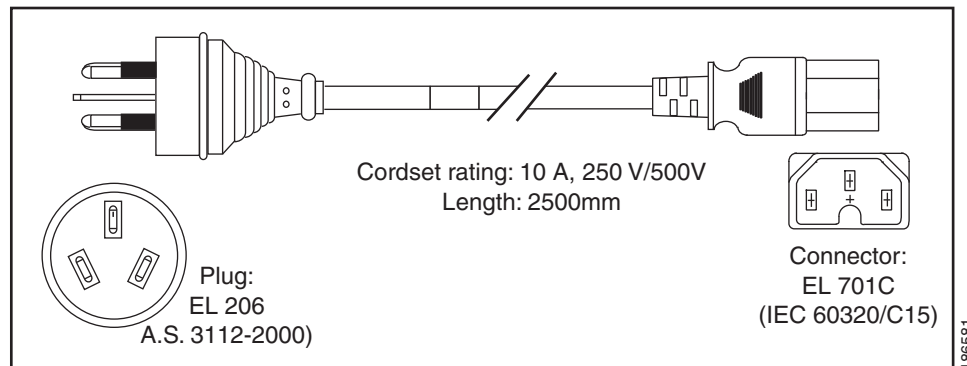
Figure B-2 CAB-250V-10A-AR**Figure B-3 CAB-9K10A-AU**

Figure B-4 CAB-250V-10A-CN

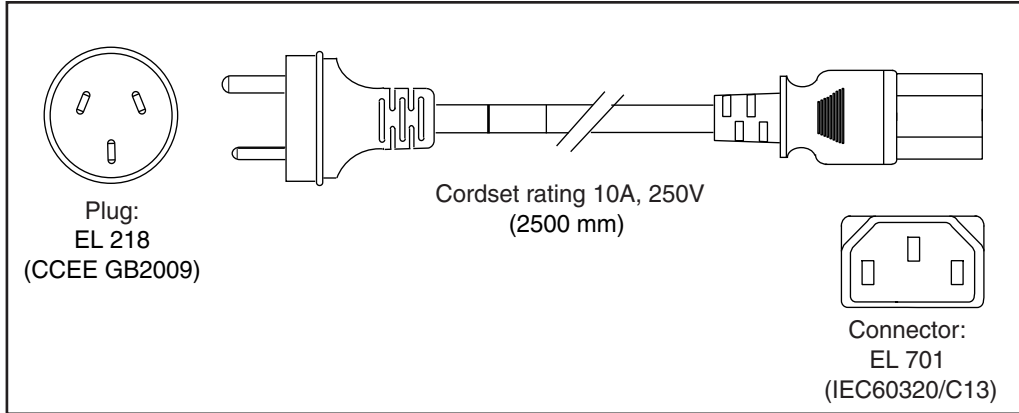


Figure B-5 CAB-9K10A-EU

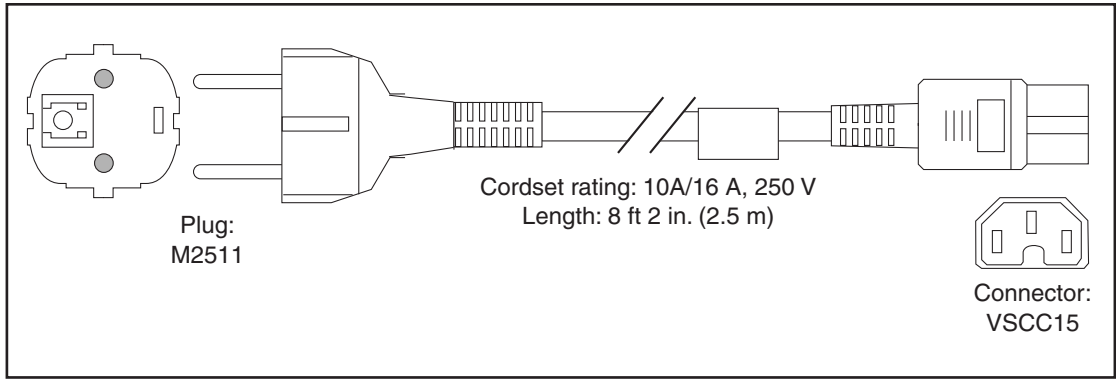


Figure B-6 CAB-250V-10A-ID

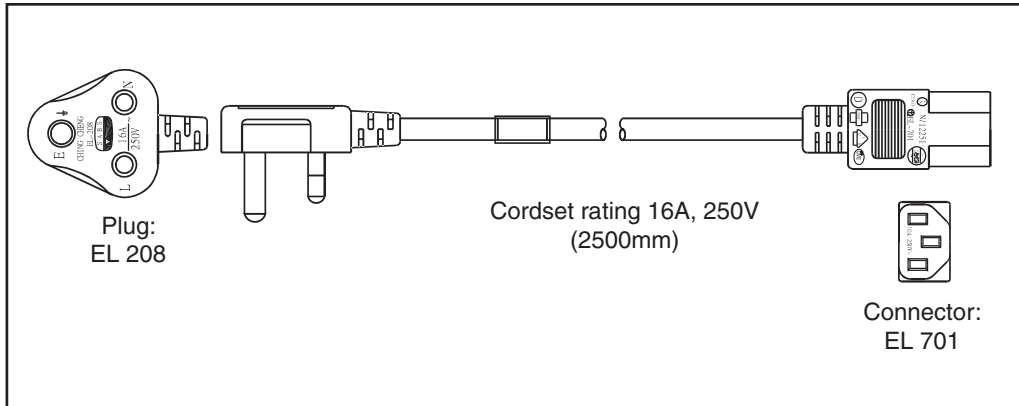
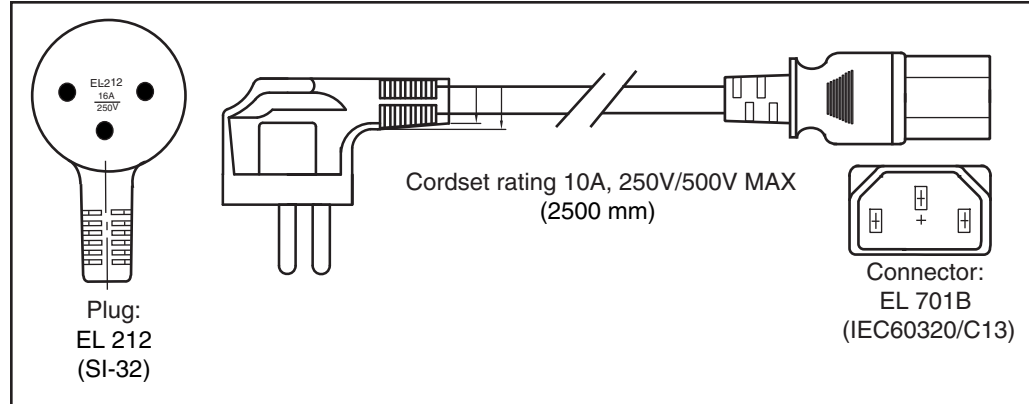
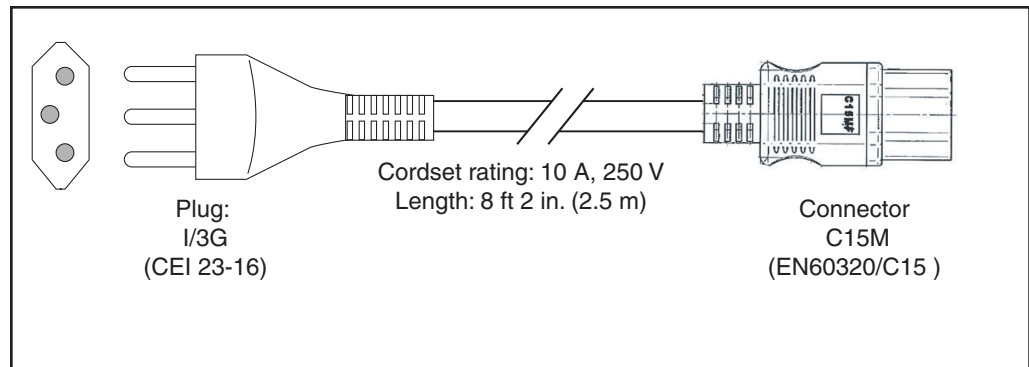


Figure B-7 CAB-250V-10A-IS



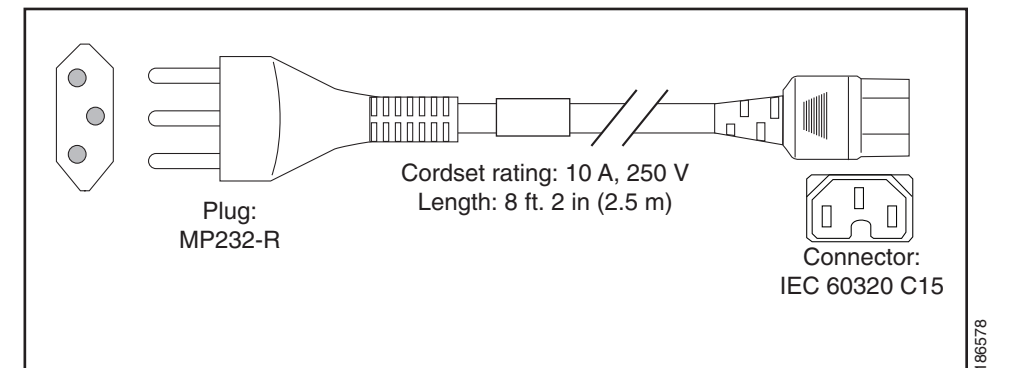
186574

Figure B-8 CAB-9K10A-IT



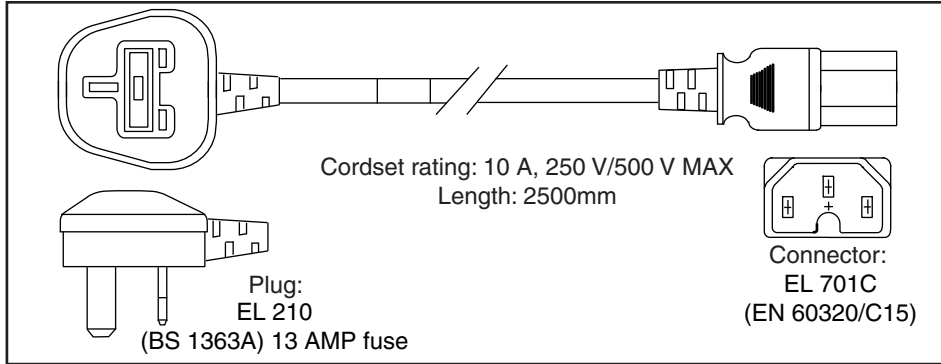
186575

Figure B-9 CAB-9K10A-SW



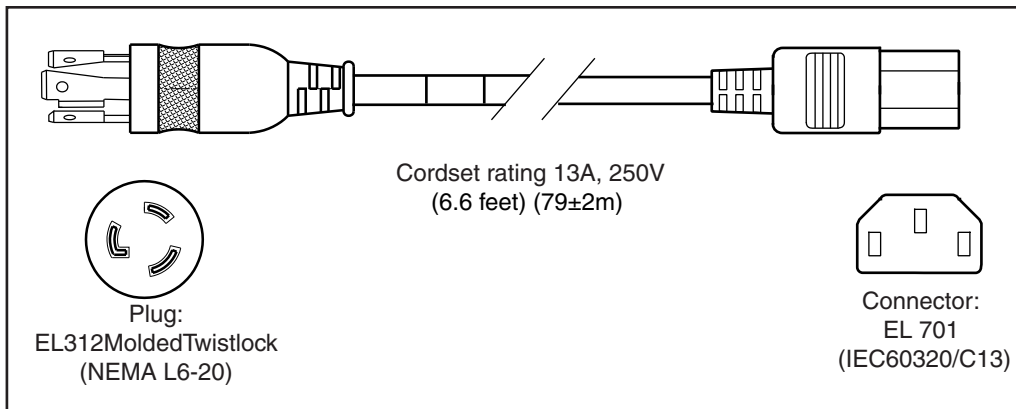
186578

Figure B-10 CAB-9K10A-UK



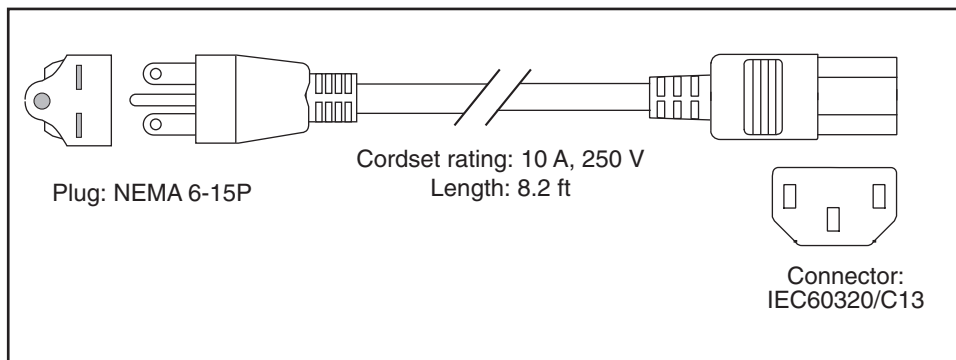
186580

Figure B-11 CAB-AC-250V/13A



186568

Figure B-12 CAB-N5K6A-NA



186570

Figure B-13 CAB-9K12A-NA

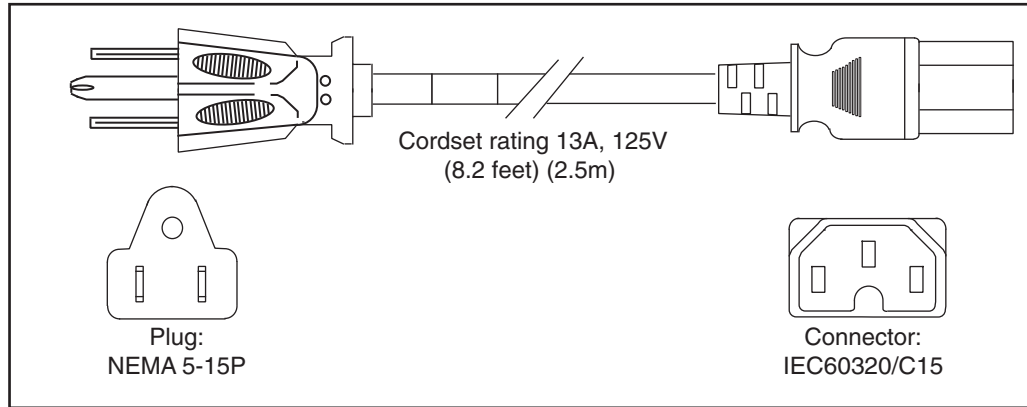


Figure B-14 CAB-C13-C14-JMPR, Jumper Power Cord

