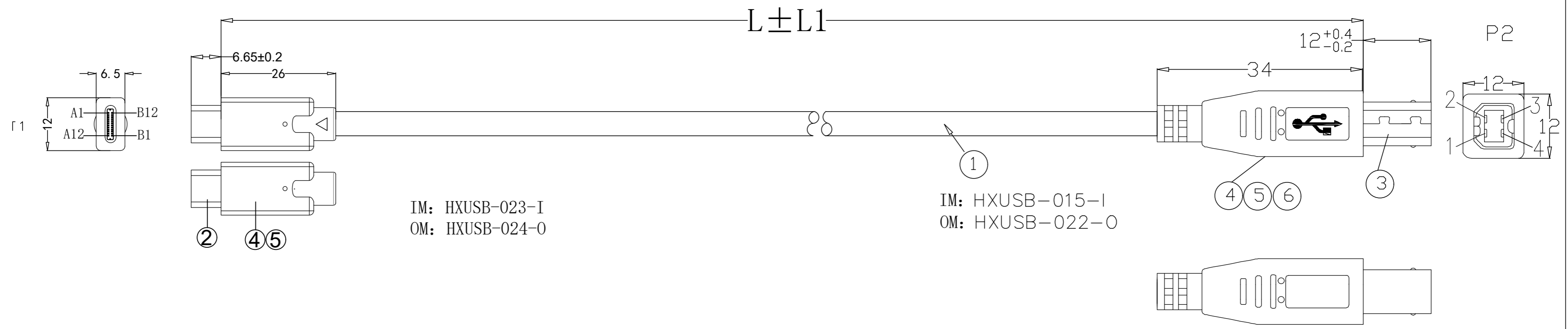


REV	MODIFICATION	DATE
A	ISSUE	2022.07.06

P1

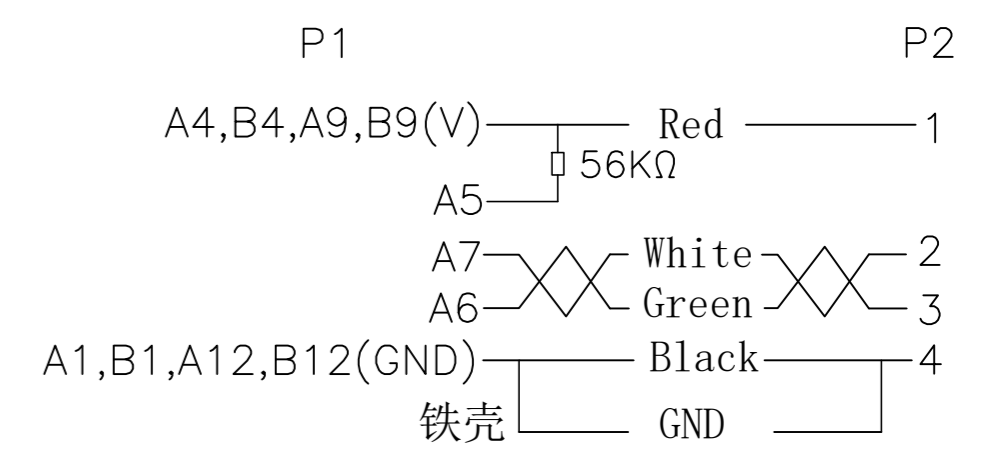


P/N	L±L1
3M	3000±50
5M	5000±70

ELECTRONIC TEST:

- A.OPEN/SHORT/INTERMITTENCE: 100%.
- B.HI-POT: AC 300V 0.01S
- C.INSULATION RESISTANCE:DC300V 0.01S 10MΩ(MIN)
- D.CONDUCTIVE RESISTANCE:5 OHM (MAX)

PIN OUT



NO	NAME	SPECIFICATIONS	Q'TY	UNIT	DRAWING: 2022.07.06
⑥	DUST CAP	TYPEC DUST CAP	2	PCS	PROJ: TOLERANCE: XX= XXX= SCALE: NONE REV: A PART NO: UNIT: MM SHEET: 1/2 CUST: SUST APPROVED: APPROVED: Emil Olsen CHECKED:
⑤	MOLDED	45P Black PVC	13	G	
④	MOLDED	LD-PE	4	G	
③	CONNECTOR	USB2.0 B Male:Iron shell nickel plated, Pin Gold Plated	1	PCS	
②	CONNECTOR	USB2.0 TYPEC Male: Stretched Iron Shell Nickel Plated,Pin Gold Plated,Up pull 56K	1	PCS	
①	CABLE	UL2725 28#(7/0.127TC)*1PR+24#(7/0.2TC) *2C+AL+D(1/0.254BC)+B (64/0.12LMS)OD=4.8 E***** 兄 AWM 2725 80° C 30V VW-1 28AWG/1P AND 24AWG/2C USB2.0 CABLE	L	MM	