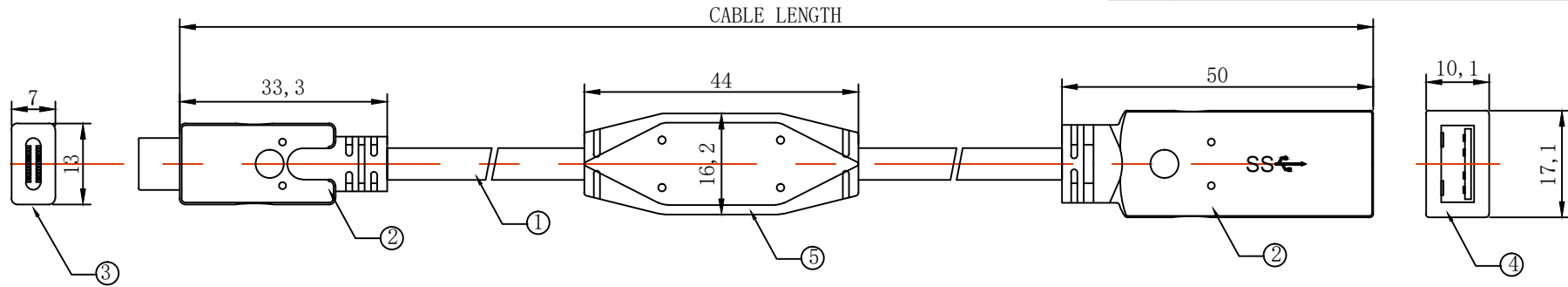


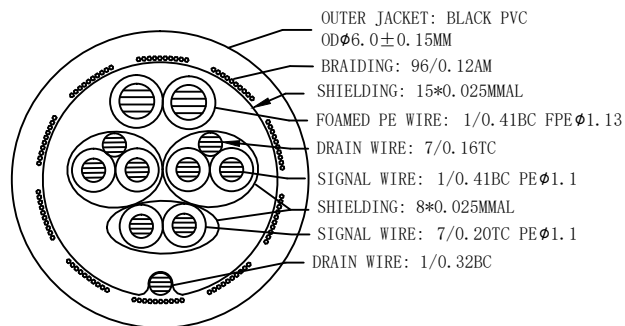
RoHS

REV.	DESCRIPTION	DATE
A		2022-03-24
B		



NO.	SPECIFICATION
①	USB 3.0 CABLE
②	PLASTIC MOLDING
③	USB 3.1 CONNECTOR MALE
④	USB 3.0 CONNECTOR A-FEMALE
⑤	BUILD-IN AMPLIFIER

CABLE SPECIFICATION



ITEM NO.	LENGTH
XX	10

TITLE	USB3.0 CM TO AF		
DRAWING NO		DRAWER	001
REV.	A	CHECKED	
		APPROVED	

VIVO LINK