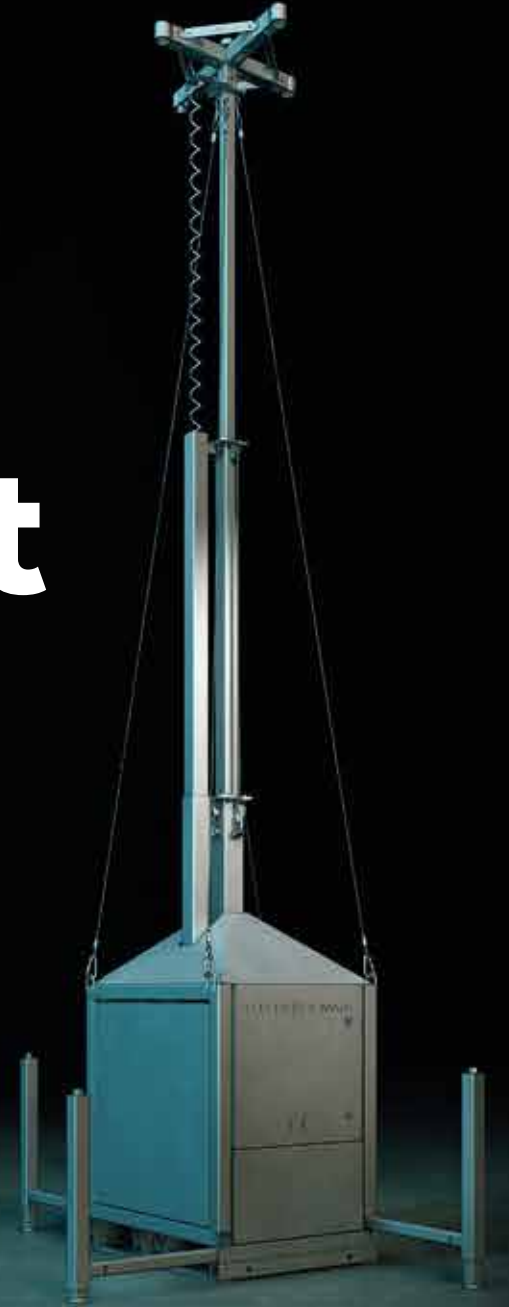




# Meet the Compact Telescopic Mast

The perfect rapid deployment CCTV security solution when space is limited and time is of the essence.





# Fast deployment on Temporary Sites!

Faster to deploy and more compact! Compared to its larger brothers, the Base, the Base Plus, and the Enterprise Telescopic Masts, the Compact Telescopic Mast is significantly smaller without having to sacrifice much functionality. However, the smaller size of this mobile security cabinet still offers a lot of advantages. In addition to lower pricing, the size of the cabinet provides for faster deployment and makes indoor use possible.

In addition to faster deployment, the Compact Telescopic Mast is particularly suitable for locations where space is a limiting factor. For example, in busy urban areas, alongside railway tracks or near roads and busy motorways. Built without compromise, its 405cm mast height will enable you to closely monitor all situations, and it is suitable for the most common applications in securing terrain, objects, and people.

The Compact Telescopic Mast is above all an easy-to-handle mobile security cabinet. The cabinet has a completely closed housing and comes equipped with an IP66 patch cabinet to make installations quick and easy.

The Compact Telescopic Mast is designed to allow you to store all your sensitive equipment inside the cabinet where it is protected from attack or vandalism. There is enough space for additional ballast when the cabinet must withstand heavy winds as well as batteries and there is even room for a fuel cell and ancillary equipment in the base.

**Develop your compact mobile security solution now using the Compact Telescopic Mast.**



The equipment on the masthead is not included and is shown for reference only

# Specifications and Features

## Compact Telescopic Mast - Specifications

Size (L x W x H)

**60 x 60 x 180 cm**

Weight

**190 kg**

Total height with extended mast

**405 cm**

Maximum carrying weight in masttop

**60 kg**

Certifications

**CE CERTIFIED / TÜV pending**

Steel galvanised construction

Steel galvanised mast

Basic 3-part telescopic mast 80/60/40mm

## Compact Telescopic Mast - Features

Mobile unit easy to transport to site ✓

Easy to store ✓

Basic ground frame ✓

Easy to install by one engineer ✓

Heavy duty forklift slots, for easy transportation ✓

Lifting eyes, for easy transportation and deployment ✓

Stable telescopic mast with an automatic safety stop ✓

Four spoke masttop for CCTV cameras or floodlight ✓

Spirit level for easy installation ✓

Cylinder lock ✓

Prepared for additional security lock ✓

Fully lockable cabinet ✓

Vandal resistant cable conduit ✓

Roof climb protection ✓

Patchbox / IP66 box installed ✓

4 stabilizing cables, reducing vibration and false alarms ✓

4 extendable stabilizers to ensure stable mast ✓

2 sides suitable for branding with logos or messaging ✓

Double cabling in mast (safer for people and equipment) ✓

Sufficient space for installing batteries or fuel cells ✓

Hoisting mast RVS316 stainless steel cables ✓

Hydraulically pressed cable clamp ✓

Manual included ✓

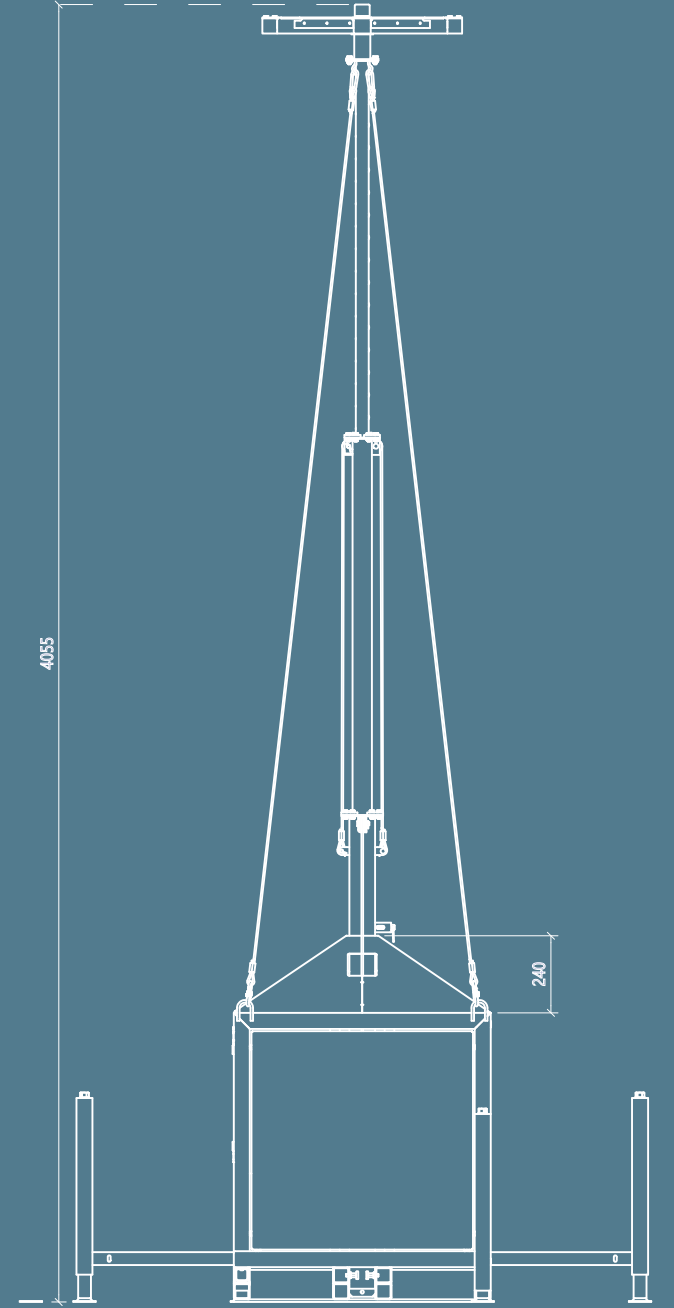
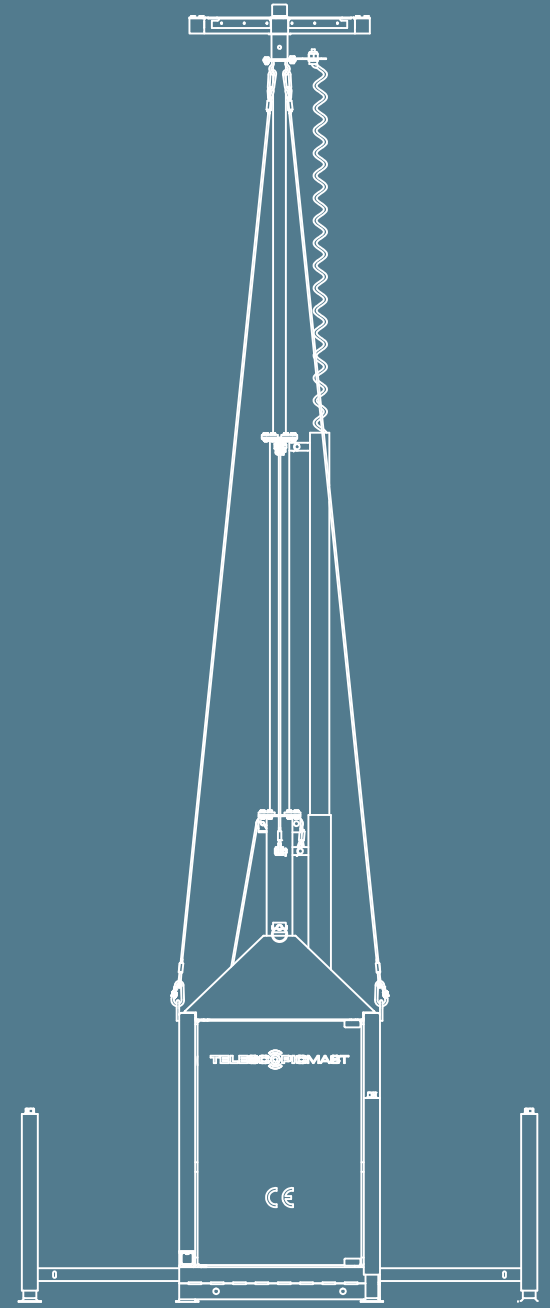
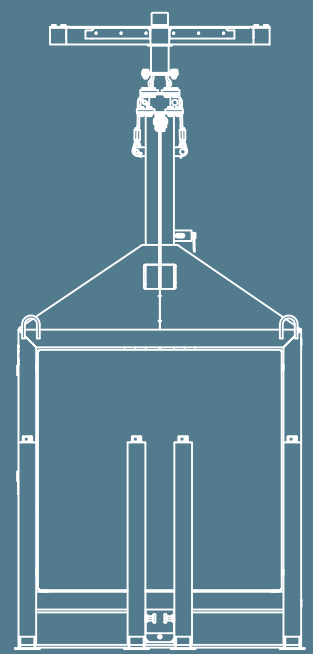
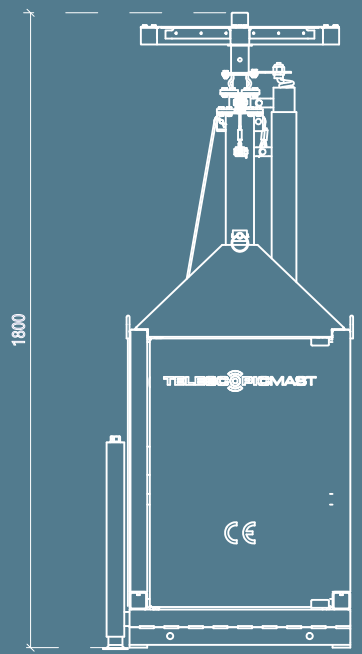
Warning labels ✓



The equipment shown in the picture is for reference only and is not included!



# Dimensions and Drawings





# 1 + 1 = 3

## Introducing the Telescopic Roadbox!

Combine your Compact Telescopic Mast with the Minitrailer and create the unique 3-in-1 rapid deployment CCTV security solution.



# A Flexible highway Hero

The idea for the Compact Telescopic Mast security cabinet came from our customers, and our Telescopic Roadbox is the logical follow-up. For this purpose, we designed a special Telescopic Minitrailer for the Compact Telescopic Mast and when purchased together you have the Telescopic Roadbox!

This Telescopic Roadbox is designed to fully utilize the flexibility and rapid deploy ability of the Compact Telescopic Mast. Of course you can still use the Telescopic Minitrailer to independently transport your fleet of Compact Telescopic Masts to various locations or you can deploy the Compact Telescopic Mast on site whilst on the trailer as a stable standalone mast.

**Think smart, think Telescopic Roadbox!**



# One Solution, multiple Possibilities

You can conveniently leave the Telescopic Roadbox on location as long as necessary, and when you need to redeploy, simply retract the legs and attach it to your vehicle. This makes the Telescopic Roadbox particularly suitable for solving short-term security issues or when the installation needs to be moved regularly.

For example in deployment during emergencies, at events, or temporary roadworks, when the area being protected moves over time. This way, the installation on location becomes much more flexible which saves a lot of installation time, reduces labour costs, and speeds up re-deployment times.

This combined mast and trailer solution helps throughout the deployment process and offer greater flexibility on site.

**Build your own Telescopic Roadbox fleet now  
and deploy faster and more flexibly than your competitors.**





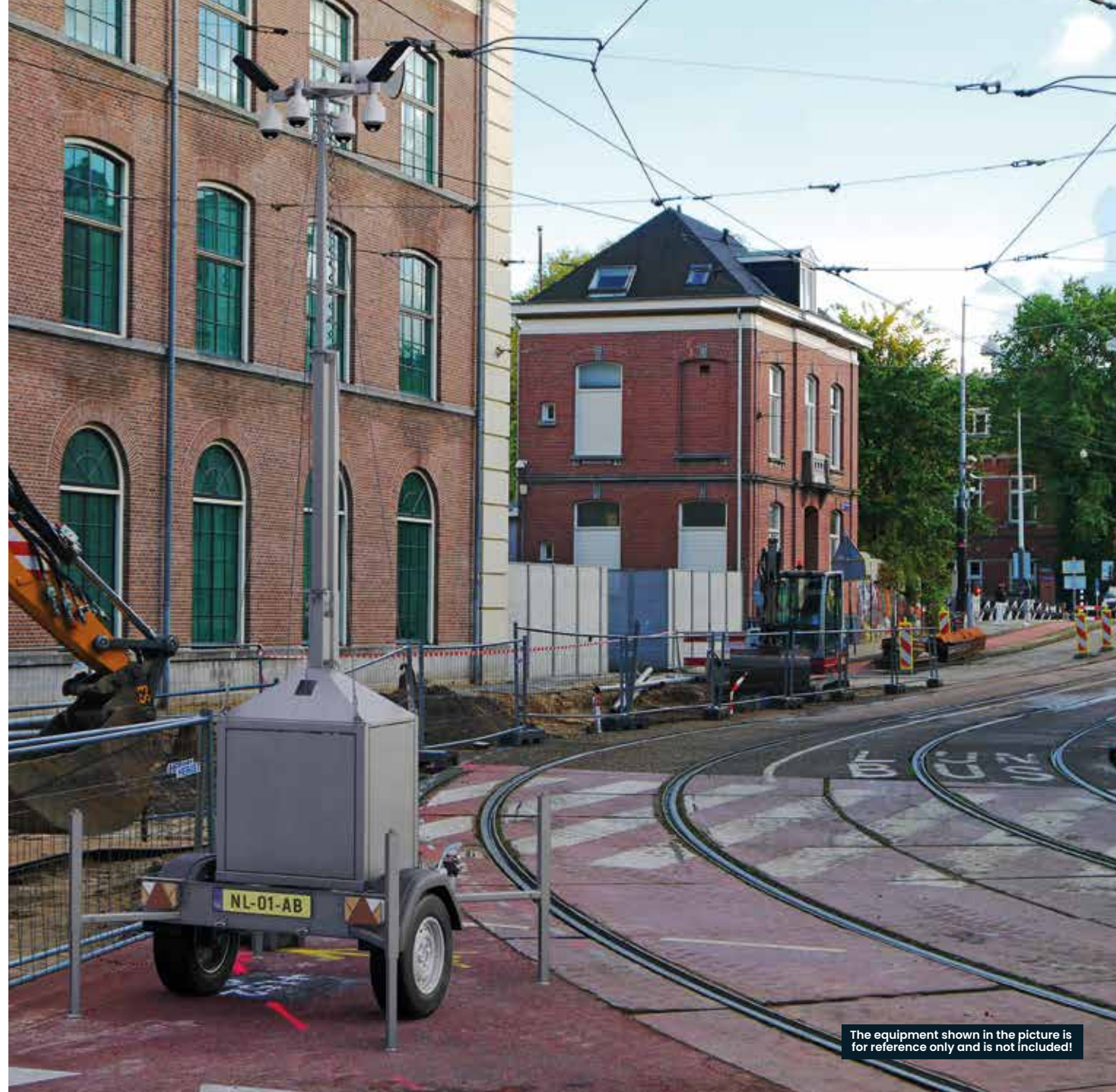
# The Urban Nomad

The use of temporary CCTV in urban areas requires a different approach. The Base, the Base Plus, and the Enterprise Telescopic Masts are protected naturally through their anti-vandalism features and physical height. The Telescopic Roadbox or the Compact Telescopic Mast are smaller than their bigger brothers. In the development of these new mast combinations, we have focused on enhancing the resistance to vandalism.

The Telescopic Roadbox has been carefully designed to discourage theft and vandalism with a number of security features. The Telescopic Minitrailer is equipped with a lock and the Compact Telescopic Mast is secured on the trailer. If you use the Compact Telescopic Mast freestanding, you can use additional ballast to ensure the cabinet stands firmly on its feet.

The control equipment is safely locked inside the cabinet and the wiring to the masthead is protected by a unique and robust steel cable guide system. The cabinet has a sloping top to make climbing difficult.

**Compact Telescopic Mast & Telescopic Roadbox;  
Let's protect the city!**



The equipment shown in the picture is for reference only and is not included!

# Specifications and Features

## Telescopic Roadbox – Specifications

Size transport mode (L x W x H)

**246 x 139 x 228 cm**

Size operational mode (L x W x H)

**169 x 149 x 453 cm (drawbar excluded)**

Weight in kg

**190 kg**

Total height with extended mast

**453 cm**

Maximum carrying weight in masttop

**60 kg**

Certifications

**CE CERTIFIED / TÜV pending**

Steel galvanised construction

Steel galvanised mast

Basic 4-part telescopic mast 100/80/60/40mm

## Telescopic Roadbox – Features

Mobile trailer, unit easy to transport to site ✓

For transport or as a fixed mobile CCTV security solution ✓

Easy to store ✓

Easy to install by one engineer ✓

Heavy duty forklift slots, for easy transportation ✓

Lifting eyes, for easy transportation and deployment ✓

Stable telescopic mast with an automatic safety stop ✓

Four spoke masttop for CCTV cameras or floodlight ✓

Spirit level for easy installation ✓

Cylinder lock ✓

Prepared for additional security lock ✓

Fully lockable cabinet ✓

Vandal resistant cable conduit ✓

Roof climb protection ✓

Patchbox / IP66 box installed ✓

4 stabilizing cables, reducing vibration and false alarms ✓

4 extendable stabilisers to ensure stable mast ✓

2 sides suitable for branding with logos or messaging ✓

Double cabling in mast (safer for people and equipment) ✓

Sufficient space for installing batteries or fuel cells ✓

Hoisting mast RVS316 stainless steel cables ✓

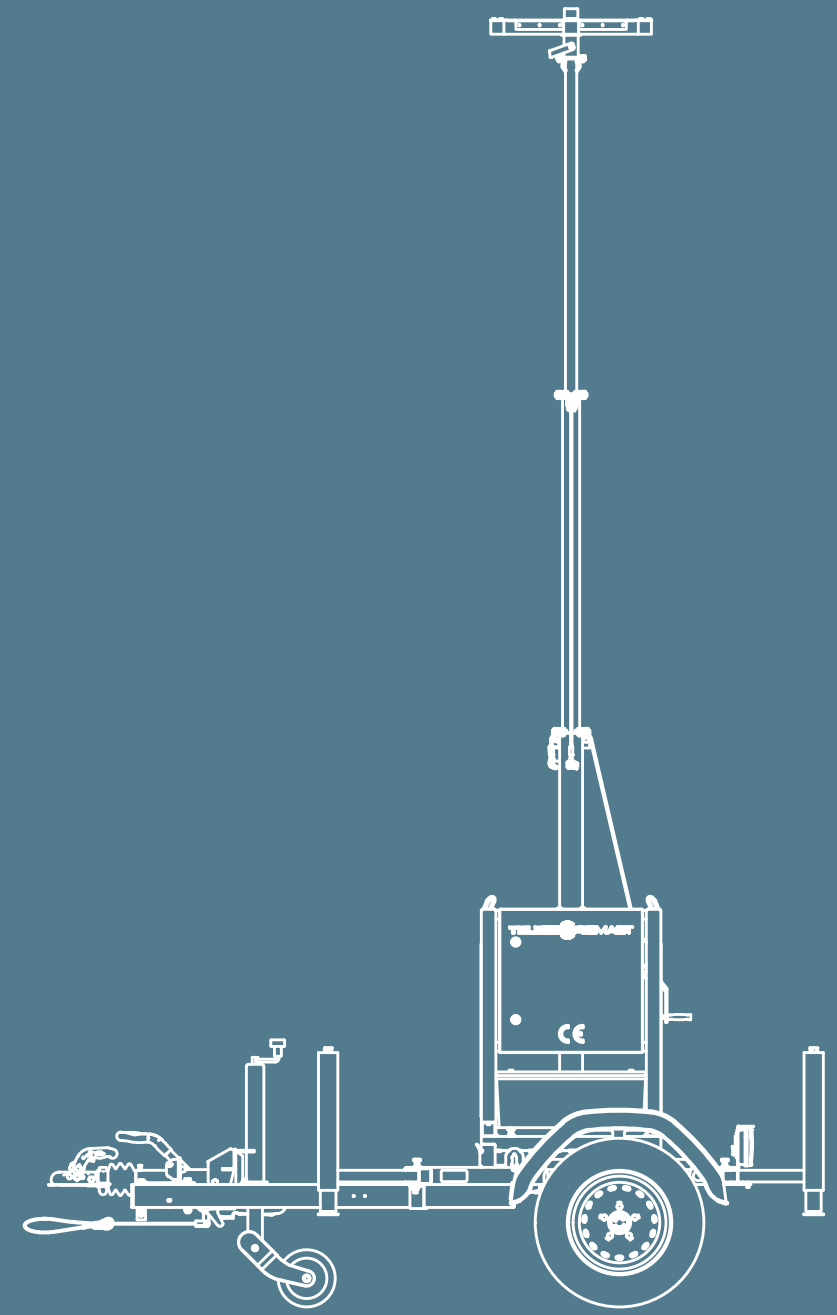
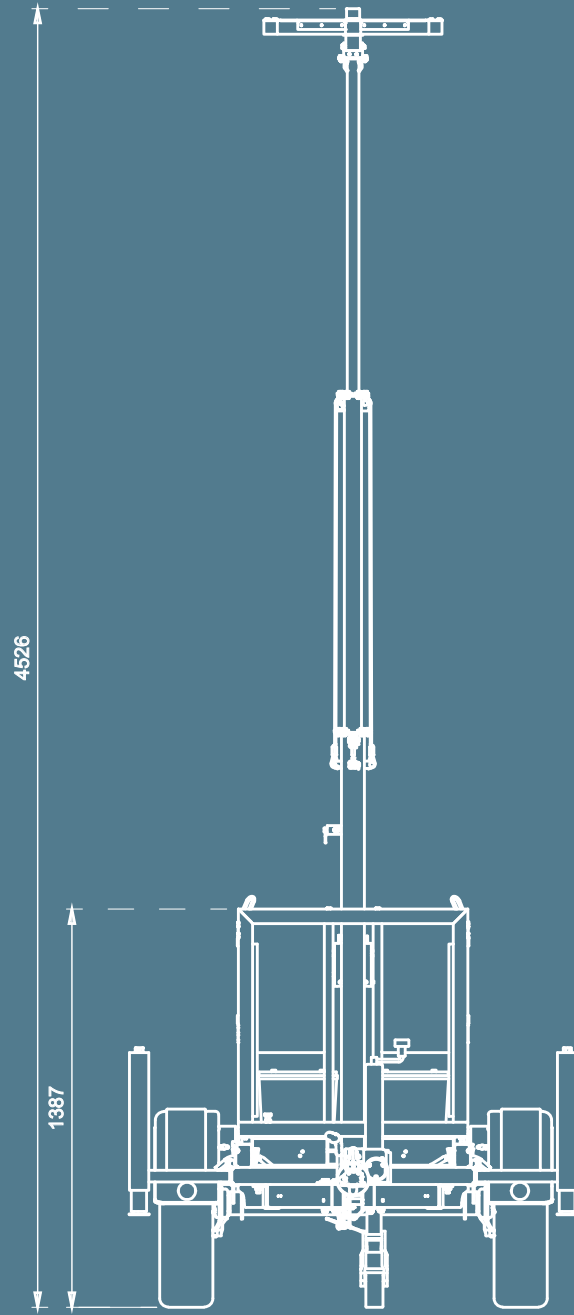
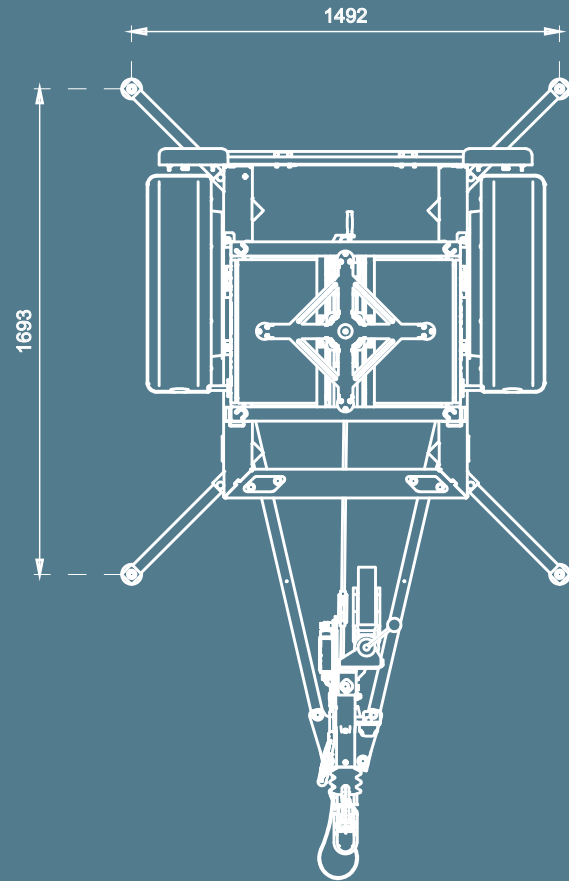
Hydraulically pressed cable clamp ✓

Manual included ✓

Warning labels ✓



# Dimensions and Drawings







# the essential Minitrailer

Helping you to quickly and safely deploy  
multiple CCTV masts!





# Specifications and Features

## Telescopic Minitrailer - Specifications

Size (L x W x H)

**246 x 139 x 93 cm**

Weight

**175 kg**

Total height (nosewheel included)

**93 cm**

Total height (nosewheel excluded)

**69 cm**

Maximum carrying weight

**750 kg**

Certifications

**CE CERTIFIED / TÜV**

## Telescopic Minitrailer - Features

Solidly welded and hot-dip galvanized chassis ✓

Suitable for placing the Compact Telescopic Mast ✓

Screwed drawbar ✓

Overrun brake ✓

Crash bar ✓

Breakaway cable ✓

Axle Knott brake 1350kg ✓

Plug 13-pin ✓

Lighting according to legal standard ✓

Off-road wheels 185/70R13 ✓

Socket mounted on stainless steel holder ✓

Spiral cable with plug-plug 13-pin ✓

Heavy nose wheel automatically tiltable, static 500 kg ✓

LED-lighting ✓

Level mounted on chassis ✓

4x locking pin (for securing the Compact Telescopic Mast) ✓

Maximum allowable weight 750kg ✓

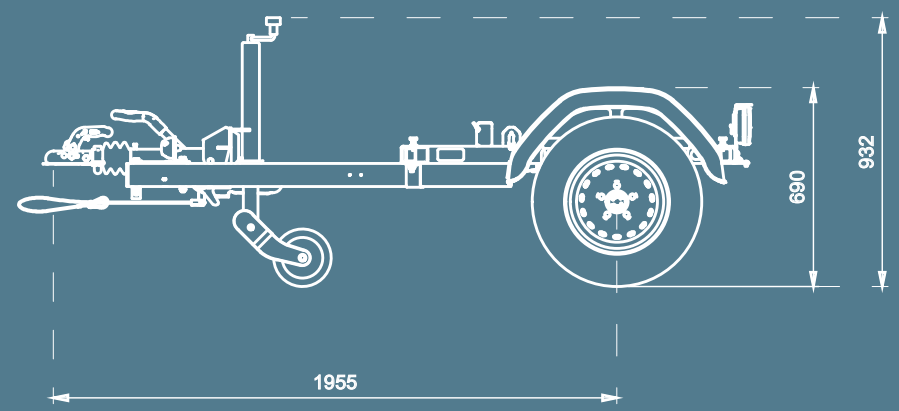
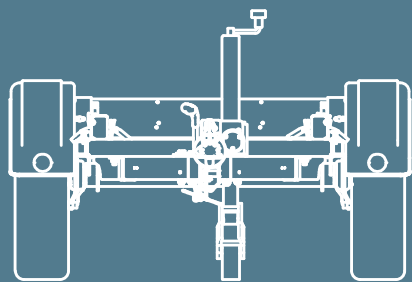
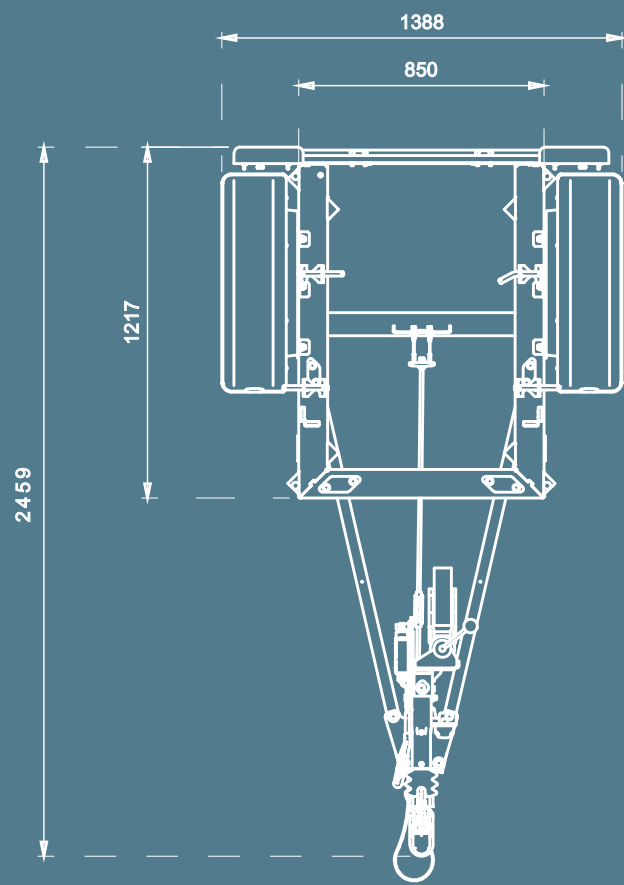
**The Telescopic Minitrailer is developed for use with the Compact Telescopic Mast.**

**The trailer can be used to transport mobile security cabinets to and from sites. When the Compact Telescopic Mast remains on the Minitrailer, it becomes the Telescopic Roadbox.**

**With both products, you can build a fleet of very flexible and extremely quickly deployable security solutions, standalone or combined!**



# Dimensions and Drawings







# Creating global site security



Ernitec mobile solutions  
Tempovej 41  
2750 ballerup  
Denmark

For more information,  
please send an e-mail to:  
[sales@ernitec.com](mailto:sales@ernitec.com)