

K9-C26-XL & K9-C27-XL INSTALLATION INSTRUCTIONS

Extended K9 Kit for 2021-2023 CHEVY TAHOE and 2021-2023 CHEVY SUBURBAN

TOOLS REQUIRED:

Phillips Screw Driver	Metric Socket set	Trim panel removal tool	Caulk Gun
Standard Socket set	Wire Cutters /Crimpers	Drill & Drill bits	

PARTS and MOUNTING HARDWARE:

<u>QTY</u>	<u>DESCRIPTION</u>	<u>ITEM# White</u>	<u>ITEM# Black</u>
2	Driver & Center floor mounting bracket		23294 – Black
1	Passenger side floor mount bracket		23295 – Black
1	Driver side floor		37435 – Black
1	Passenger side floor		37436 – Black
2	Driver & passenger side / K9 floor side trim - Tahoe		38106 - Black
2	Driver & passenger side / K9 floor side trim - Suburban		37428 –Black
1	Floor stiffener		23307 – Black
1	Cargo floor closeout		23300 – Black
1	Rear bulkhead	23306 – White	24094 – Black
1	Front bulkhead	23304 – White	24093 – Black
1	DS “B” pillar bracket		23312 – Black
1	PS “B” pillar bracket		23313 – Black
1	Ceiling	23299 – White	24111 – Black
1	DS Inner side trim panel	23308 – White	24095 – Black
1	PS Inner side trim panel	23309 – White	24096 – Black
1	DS Outer trim panel - Tahoe	23310 – White	24097 – Black
1	PS Outer trim panel - Tahoe	23311 – White	24098 – Black
1	DS Outer side trim panel - Suburban	38112 – White	37426 – Black
1	PS Outer side trim panel - Suburban	38113 – White	37427 – Black
2	Side trim extension panel	23298 – White	24110 – Black
1	DS Door panel - Tahoe	23315 – White	24100 – Black
1	PS Door panel - Tahoe	23316 – White	24101 – Black
1	DS Door panel - Suburban	38115 – White	37431 – Black
1	PS Door panel - Suburban	38116 – White	37432 – Black
1	DS Window guard -Tahoe		23317 – Black
1	PS Window guard - Tahoe		23318 – Black
1	DS Window guard - Suburban		37433 – Black
1	PS Window guard - Suburban		37434 – Black
1	Floor mat		24112 – Black
1	Silicone	20011 – White	20012 - Black
2	Dome light kit (K9-A-106)	17987	

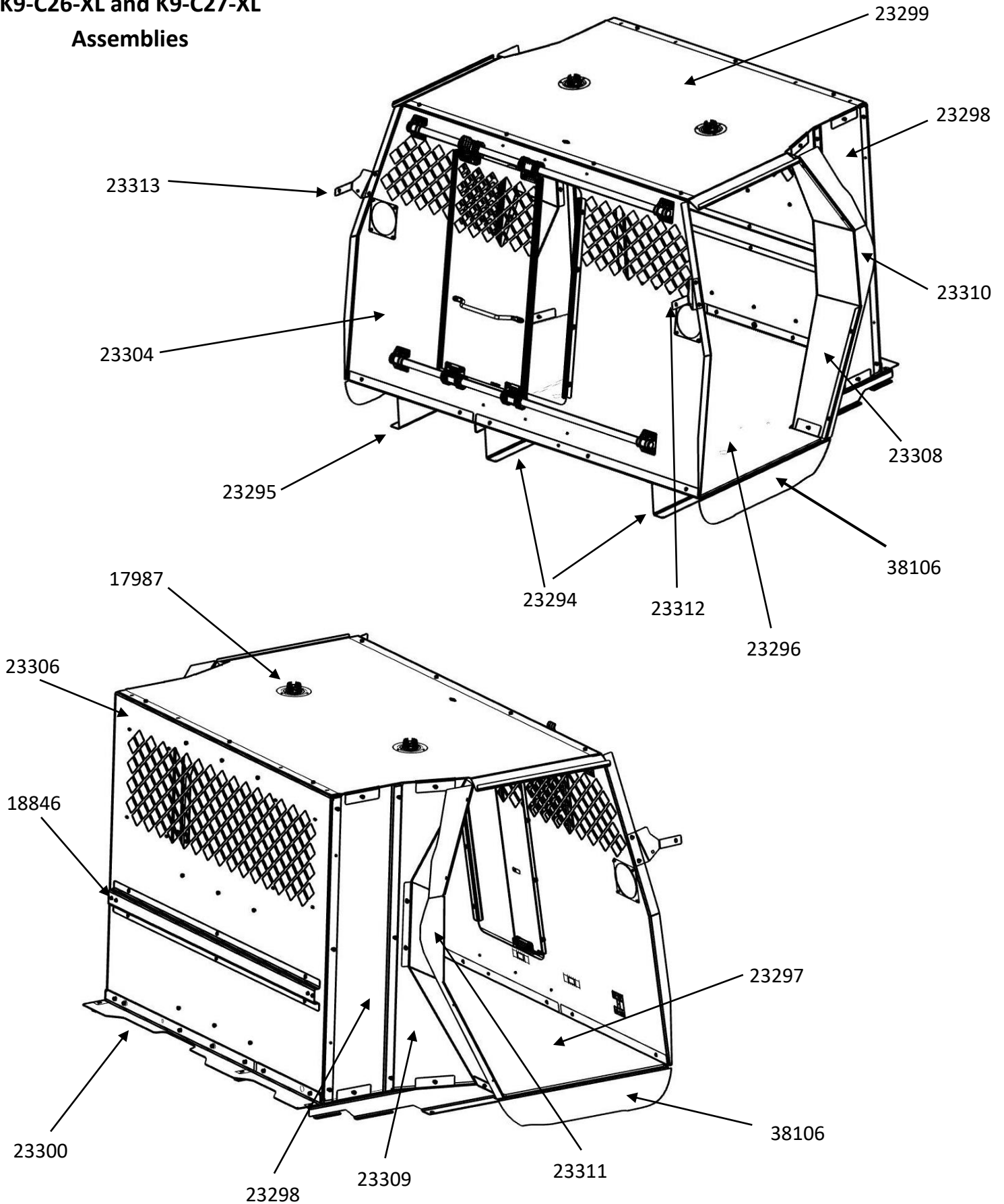
Hardware kit (C-HK-358)

<u>QTY</u>	<u>DESCRIPTION</u>	<u>ITEM#</u>
15	1/4" x 3/4" Carriage bolt	16235
4	1 1/16" Dome plug	15804
73	1/4" Flat washer	16154
73	1/4" Phillips screw	16618
15	1/4" Serrated nut	16086
6	M10 x 45mm Bolt	16518
34	#10 x 1/2" Screw	16655
10	#10 x 1/2" Flat head screw	16641

Always!

- Read all instructions before installing any Havis, Inc. products.
- Use hardware provided with install kit

**K9-C26-XL and K9-C27-XL
Assemblies**



Note: Many images show a Tahoe interior, but installation process and most parts are the same for Suburban.



Remove rear seats



Flip seat seats forward to access hardware.



Flip seat seats down and remove plastic trim covers to access front hardware.



Save removed hardware from seats.
To be reused later.



Remove plastic covers behind the paddle handle.
Remove screws. (7mm socket)

Note: A small 90° scribe helps to pick plastic covers off.



Remove plastic covers behind armrest handle.
Remove screws. (7mm socket)

Note: A small 90° scribe helps to pick plastic covers off.

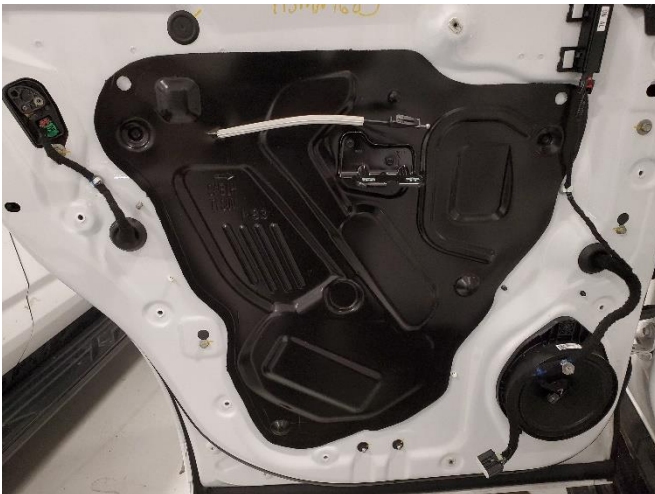


Remove screw at bottom of door panel.
(7mm socket)



Remove / unsnap entire door panel from door.
Remove armrest bracket. (7mm socket)

Note: Make sure to plug harnesses back into door switches and carefully tuck out of the way.



Disconnect door latch cable and lock pin. Remove speaker. (7mm socket)



Gently remove trim around window frame.



**NOTE: Window guards are shipped flat.
On the edge of a workbench, bend a contour in the middle of the guard so it will fit tight against the window frame.**



Hook top of door panel into rubber window gasket.
Center door panel and drill 1/8" mount holes.
Attach with # 10 x 3/4" sheet metal screws.



Align the hinge mounting holes to holes in the door panel. Attach hinge with # 10 x 1/2 Phillips pan head sheet metal screws.



Mount optional K9-A-104 Fan and Fan mount to window guard with 1/4" hardware and spacers as per the instructions provided in the K9-A-104 kit.



Attach driver side and center floor mounting brackets to floor using previously removed seat mounting hardware.

Do not tighten hardware.



Repeat for passenger side floor mount bracket.

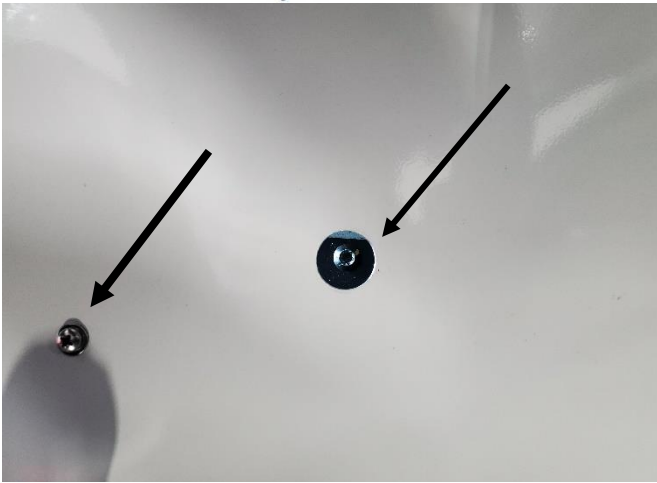
Do not tighten hardware.



Bolt the driver and passenger side floors together using 1/4" x 3/4" carriage bolts and serrated nuts. Attach stiffener (angle) bracket to bottom of K9 floor with (3) 1/4" x 3/4" Phillips head bolts and flat washers.



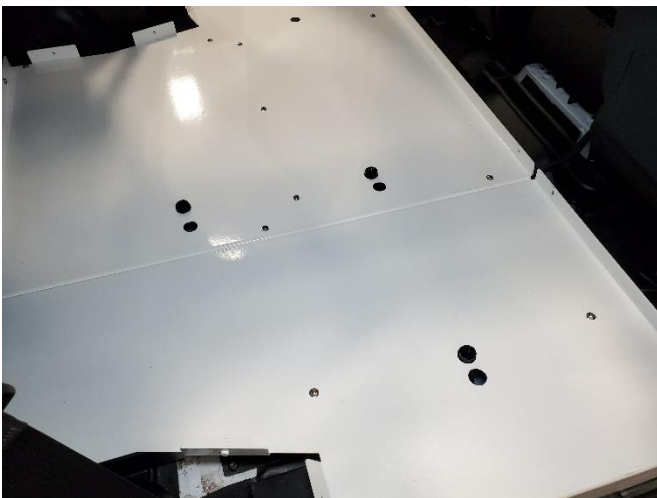
Place floor in vehicle and line up to brackets. Brackets may have to slide forward or backward to properly line up.



Loosely attach floor to brackets with 1/4" x 3/4" Phillips head bolts and flat washers.
Tighten all floor and floor bracket hardware.



Tighten rear floor mounting hardware.



Install supplied 1.0625 dome plugs into holes in floor.
It is recommended to add silicone to prevent leaks.



Attach rear cargo, filler plate to floor using 1/4" x 3/4" Phillips head bolts and flat washers.



Cargo filler will also attach to floor mounting brackets in corners with 1/4" x 3/4" Phillips head bolts and flat washers.



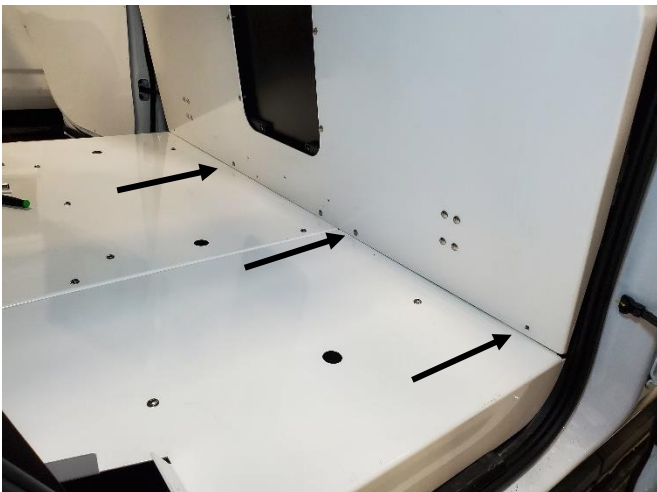
Attach rear bulkhead to floor using 1/4" x 3/4" Phillips head bolts and flat washers.



Remove OEM upper B pillar trim panel and grab handle. Using previously removed hardware and attach driver side B pillar mounting bracket. Repeat for passenger side. Reinstall trim panels over brackets.



Carefully place front bulkhead into vehicle.



Attach to floor using 1/4" x 3/4" carriage bolts and serrated nuts.



Attach to B pillar brackets using 1/4" x 3/4" carriage bolts and nuts.



Place ceiling panel on top of front and rear Bulkheads and attach using 1/4" x 3/4" Phillips head bolts and flat washers.



Pre-assemble inner side filler, outer side filler and filler extension panels outside of vehicle using 1/4" x 3/4" Phillips head bolts and flat washers.



Place side filler assembly into kit and slide towards rear bulkhead.



Square up kit and loosely attach side trim to floor with 1/4" x 3/4" Phillips head bolts and flat washers.



Attach trim to rear wall and ceiling with 1/4" x 3/4" Phillips head bolts and flat washers.



Install LED dome light with hardware included as per instructions in the dome light kit.



Confirm all hardware is tightened.



If installing optional K9-A-115 divider, place into insert and line up to threaded inserts in the rear of the kit. Attach using 1/4" x 3/4" Phillips head bolts and flat washers.



Attach divider to lower front bulkhead using 1/4" x 3/4" carriage bolts and serrated nuts.



Attach to upper front bulkhead using 1/4" x 3/4" carriage bolts and serrated nuts.



Example of optional **K9-A-102** installed on passenger side of front bulkhead.



Attach side trim panels to floor using 1/4" x 3/4" Phillips bolts and flat washers.

Neatly silicone / caulk the lower seams to shed water out of vehicle. **Note:** The floor is designed to minimize the need for sealant. Caulk (sealant) is mostly needed where the floor meets the doorsill and lower filler panels.



Place rubber mat into kit after silicone is dry.



Installation is now complete.