

# Gaming GOLD Series

## Power Supplies 650W / 750W / 850W

The Gaming GOLD Series is a PC power supply series with a fixed cable harness, as well as a 750W ARGB variant. The noble design with its black powder coating, the 120mm silent, black or transparent fan and the fan grille emphasizes the valuable character of this series.

The maximum voltage stability and the six integrated safety circuits ensure safe operation even in heated workflows or gaming sessions.

The power supplies are suitable for the highest demands in gaming, multi-media application and streaming areas and have low power consumption during these intensive phases. The power supplies achieve the 80+ GOLD requirements.



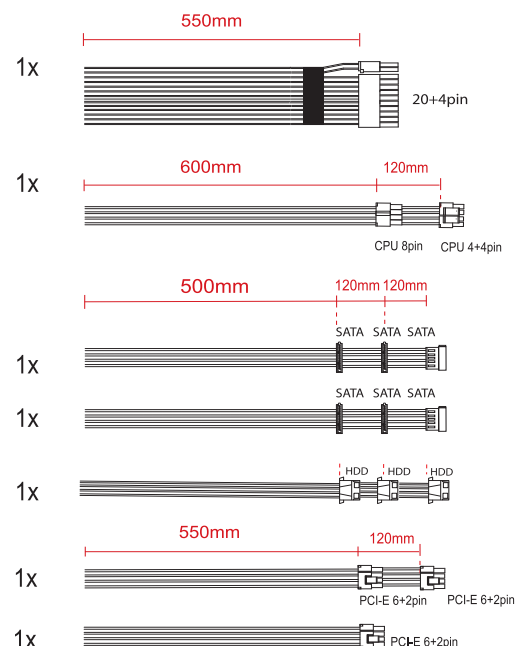
## Product Features

- Whisper-quiet cooling: Large 120mm fan\*
- Excellent airflow design for improved heat dissipation
- With the following safety equipment:
  - OVP (overvoltage protection)
  - UVP (Undervoltage Protection)
  - SCP (short circuit protection)
  - OLP (overload protection)
  - OTP (over temperature protection)
  - OCP (overcurrent protection)
- Low standby power consumption
- High energy efficiency: Achieves 80+ GOLD energy efficiency (meets ErP2014 standard)
- Active PFC

\*XN335 | XP750R12 has a 120mm ARGB fan

## Technical Data | 650W

	AC INPUT	DC OUTPUT										
XP650R12	200 - 240V	<table border="1"> <tr><td>+ 3.3V</td><td>20.0A</td></tr> <tr><td>+ 5.0V</td><td>20.0A</td></tr> <tr><td>+ 12.0V</td><td>54.1A</td></tr> <tr><td>- 12.0V</td><td>0.3A</td></tr> <tr><td>+ 5.0VSB</td><td>3.0A</td></tr> </table>	+ 3.3V	20.0A	+ 5.0V	20.0A	+ 12.0V	54.1A	- 12.0V	0.3A	+ 5.0VSB	3.0A
+ 3.3V	20.0A											
+ 5.0V	20.0A											
+ 12.0V	54.1A											
- 12.0V	0.3A											
+ 5.0VSB	3.0A											
Efficiencies		<table border="1"> <tr><td>20%</td><td>90%</td></tr> <tr><td>50%</td><td>93%</td></tr> <tr><td>100%</td><td>92%</td></tr> </table>	20%	90%	50%	93%	100%	92%				
20%	90%											
50%	93%											
100%	92%											
Noise Level		<table border="1"> <tr><td>20%</td><td>~ 9,9 db(A)</td></tr> <tr><td>50%</td><td>~ 10,4 db(A)</td></tr> <tr><td>100%</td><td>~ 35,8 db(A)</td></tr> </table>	20%	~ 9,9 db(A)	50%	~ 10,4 db(A)	100%	~ 35,8 db(A)				
20%	~ 9,9 db(A)											
50%	~ 10,4 db(A)											
100%	~ 35,8 db(A)											

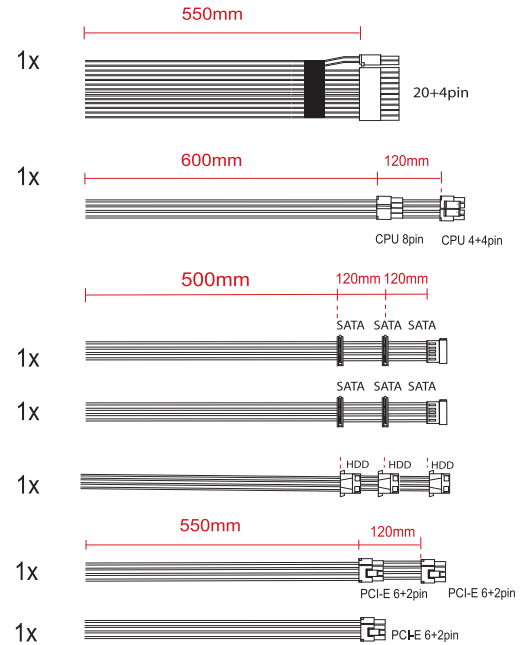


All trademarks and registered marks are the property of their respective companies. Errors excepted. Subject to change without prior notice. Images may differ from original product.

# Gaming **GOLD** Series

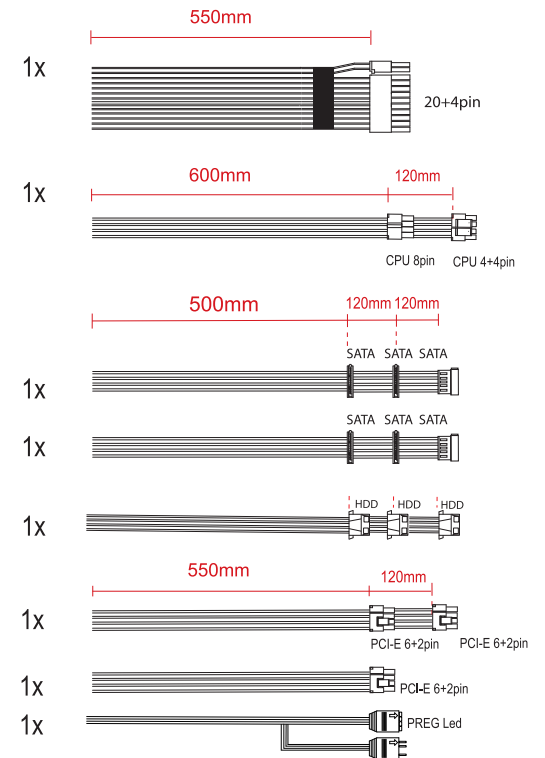
## Technical Data | 750W

	AC INPUT	DC OUTPUT
XP750R12	200 - 240V	+ 3.3V 20.0A
		+ 5.0V 20.0A
		+ 12.0V 62.5A
		- 12.0V 0.3A
		+ 5.0VSB 3.0A
Efficiencies		20% 90%
		50% 93%
		100% 92%
Noise Level		20% ~ 10 db(A)
		50% ~ 10,4 db(A)
		100% ~ 36,4 db(A)



## Technical Data | 750W | ARGB

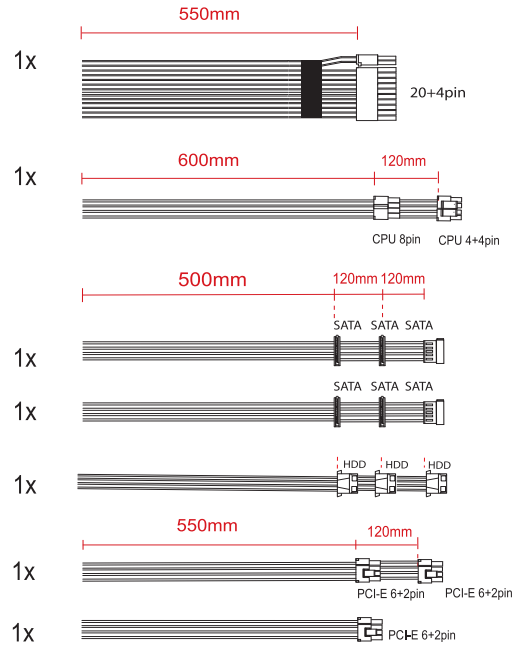
	AC INPUT	DC OUTPUT
XP850R12	200 - 240V	+ 3.3V 20.0A
		+ 5.0V 20.0A
		+ 12.0V 62.5A
		- 12.0V 0.3A
		+ 5.0VSB 3.0A
Efficiencies		20% 90%
		50% 93%
		100% 92%
Noise Level		20% ~ 10 db(A)
		50% ~ 17,7 db(A)
		100% ~ 36,4 db(A)



# Gaming **GOLD** Series

## Technical Data | 850W

	AC INPUT	DC OUTPUT
XP850R12	200 - 240V	+ 3.3V 20.0A
		+ 5.0V 20.0A
		+ 12.0V 70.8A
		- 12.0V 0.3A
		+ 5.0VSB 3.0A
Efficiencies		20% 90%
		50% 93%
		100% 92%
Noise Level		20% ~ 10 db(A)
		50% ~ 17,7 db(A)
		100% ~ 36,4 db(A)



## Logistical Data

Manufacturer Number	XP650R12	XP750R12	XP750R12.ARGB	XP850R12
Item Number	XN320	XN330	XN335	XN340
EAN Barcode	4044953503306	4044953503320	4044953503344	4044953503368



All trademarks and registered marks are the property of their respective companies. Errors excepted. Subject to change without prior notice. Images may differ from original product.