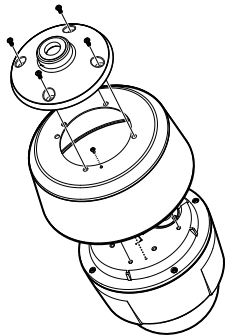


DA-DH1100 INSTALLATION MANUAL

This manual is intended for users of the DA-DH1100 sun shield. It includes instructions for mounting the DA-DH1100 sun shield to a pipe.

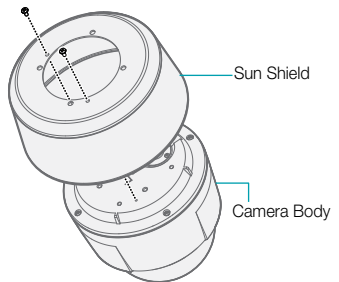


- **This bracket is intended to be used with DC-S series model of camera. Do not use it with other models of cameras.**
- **This installation should be performed by a qualified service personnel in conformance to all local codes.**
- **You may need to reinforce the wall. If the wall is not strong enough to support the camera, the camera may fall.**
- **Do not use this product for other purposes.**

Mounting

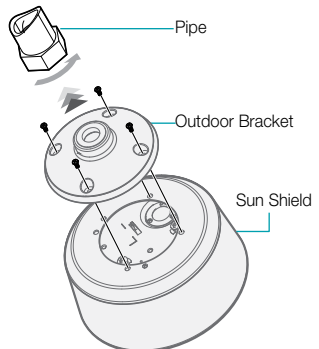
Connect the camera body to the sun shield as follows:

- 1 Remove the indoor bracket setscrew from the camera body.
- 2 Screw the sun shield to the camera body by using the sun shield setscrew provided with the camera.



- In case that a universal nut is attached to a pipe, connect the sun shield and outdoor bracket first, then connect it to the pipe as follows:

- 3 Hook the safety wire of the outdoor bracket on the safety wire ring of the camera body.
- 4 Screw the outdoor bracket to the sun shield by using the setscrews provided with the camera.
- 5 Connect the cable from the camera to the pipe.
- 6 Connect the camera to the pipe by TURNING THE UNIVERSAL NUT.
- 7 Connect the external devices, network and power adapter.
- 8 Apply power.

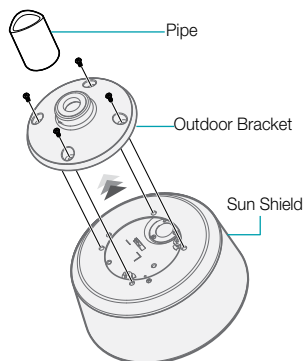




Do not turn the camera but turn the universal nut when connecting the camera to the pipe, otherwise, the cable will be twisted.

- In case that a universal nut is not attached to a pipe, connect the outdoor bracket to the pipe first, then connect the sun shield to the outdoor bracket as follows:

- 3 Screw the outdoor bracket to the pipe by turning the outdoor bracket.
- 4 Hook the safety wire of the outdoor bracket on the safety wire ring of the camera body.
- 5 Connect the cable from the camera to the pipe.
- 6 Screw the sun shield to the outdoor bracket by using the setscrews provided with the camera.
- 7 Connect the external devices, network and power adapter.
- 8 Apply power.



Dimensions

