

ACCESSORIES FOR CAMERA HOUSINGS

KIT RETROFIT WITH IPM TECHNOLOGY ON VERSO AND HOV HOUSINGS

IPM technology (Intelligent Power Management)

PoE / Hi-PoE power supply for heating, demisting, illuminator, fan and PoE network camera

Compatible with IEEE 802.3af, IEEE 802.3at/PoE Plus



HI-POE IPM (INTELLIGENT POWER MANAGEMENT) MODULE

HEATER

Thermostatically controlled heating element PTC 20W or 40W (Ton $\leq 15^{\circ}\text{C}$; Toff $\geq 22^{\circ}\text{C}$)

Available in 12Vdc/24Vac voltage or 120/230Vac voltage



HEATER

CAMERA POWER SUPPLY

It can be installed inside the housing

Available in different versions, 120/230Vac input and 24Vac/12Vdc output.



CAMERA POWER SUPPLY

BLOWER WITH AIR FILTER

With thermostatically controlled cooling blower Ton $\geq 35^{\circ}\text{C}$ (95°F); Toff $\leq 20^{\circ}\text{C}$ (68°F) and filter

Available in 12Vdc, 24Vac and 230Vac versions



BLOWER WITH AIR FILTER

FAN ASSISTED HEATER

Forced air circulation

Homogeneous temperature inside the housing

OHEGBB- WEATHERPROOF JUNCTION BOX

IP55

For housing of wiring harnesses or auxiliary boards



WEATHERPROOF JUNCTION BOX

VIP6A- WIPER FOR HEG

It can be directly installed on the housing body

Including the support for the washing pump injector

Available in 24Vac and 230Vac, 7W max

For HEG housings series



WIPER FOR HEG

WAS - WASPT WASHER PUMP AND 5 OR 23 LITER TANK

Versions with delivery up to 5m (16ft), 11m (36ft), 30m (98ft)

Pump available in 230Vac, 24Vac and 120Vac (WASPT series, prearranged for DTWRX board for the remote control)

In the 11m (36ft) and 30m (98ft) delivery versions the lack of liquid in the tank is signalled following the automatic stop of the pump (except for 11m version of WAS series)



WASHERS AND TANKS

DTWRX TELEMETRY DATA RECEIVER FOR WIPER AND WASHER REMOTE CONTROL

Remote control of wiper and washer pump of WASPT series in stand-alone housings

RS485 communication

Remote controllable up to 1200m (3937ft) from the control keyboard



CARD FOR REMOTE CONTROL OF WIPER AND WASHER PUMP

TAMPER SWITCH ON BOARD FOR HOUSING

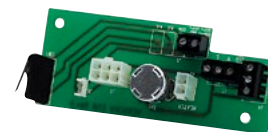
With tamper proof screws and key

OWBIP- SEALING RINGS

For cable management bracket

For WBOVA2 and WCM4A2 brackets

IP66/IP67



ALARM TAMPER SWITCH



SEALING RINGS

TECHNICAL DATA**KIT RETROFIT WITH IPM TECHNOLOGY ON VERSO AND HOV HOUSINGS**

Power absorbed in input: PoE class 3 (13W) or Hi-PoE class 4 (25W) selectable from dip switch

Available power for camera (PoE IN class 3): PoE Class 2 (7W)

Available power for camera (Hi-PoE IN class 4): PoE class 3 (13W) with Ton $-10^{\circ}\text{C} \pm 2^{\circ}\text{C}$ "cold start" function

Data line: 10/100Base-T

Illuminator GEKO IRH, low power: 6W

Heater: 8W, electronically controlled, Ton $20^{\circ}\text{C} \pm 2^{\circ}\text{C}$ ($68^{\circ}\text{F} \pm 4^{\circ}\text{F}$), Toff $23^{\circ}\text{C} \pm 2^{\circ}\text{C}$ ($73.4^{\circ}\text{F} \pm 4^{\circ}\text{F}$)

Fan with thermostat for camera cooling for versions with double air filter: Ton $35^{\circ}\text{C} \pm 2^{\circ}\text{C}$ ($95^{\circ}\text{F} \pm 4^{\circ}\text{F}$), Toff $32^{\circ}\text{C} \pm 2^{\circ}\text{C}$ ($89.6^{\circ}\text{F} \pm 4^{\circ}\text{F}$)

Demisting with forced hot air: 5W

Anti-icing heated glass (HOV housing): 5W, Ton $30^{\circ}\text{C} \pm 2^{\circ}\text{C}$ ($86^{\circ}\text{F} \pm 4^{\circ}\text{F}$), Toff $33^{\circ}\text{C} \pm 2^{\circ}\text{C}$ ($91.4^{\circ}\text{F} \pm 4^{\circ}\text{F}$)

Compatible with IEEE 802.3af, IEEE 802.3at/PoE Plus

Compatible with the Power Injector (OHEPOWINJ: VIDEOTEC optional accessory)

HEATER

IN 12Vdc/24Vac, consumption 20W max

IN 120/230Vac, consumption 40W max

CAMERA POWER SUPPLY**Camera power supply:**

IN 100-240Vac, 50/60Hz - OUT 12Vdc, 1A

IN 230Vac, 50/60Hz - OUT 12Vdc, 400mA

IN 230Vac, 50/60Hz - OUT 24Vac, 400mA

Camera power supply in weatherproof box:

IN 100-240Vac, 50/60Hz - OUT 12Vdc, 1A

IN 230Vac, 50/60Hz - OUT 24Vac, 400mA

BLOWER WITH AIR FILTER

Blower with thermostat and air filter, (Ton $\geq 35^{\circ}\text{C}$; Toff $\leq 20^{\circ}\text{C}$)

IN 12Vdc, consumption 4W max

IN 24Vac, consumption 4W max

IN 230Vac, consumption 4W max, complete with voltage transformer

Not compatible with bracket with internal cable channel

FAN ASSISTED HEATER

IN 12Vdc, consumption 4W max

IN 24Vac, consumption 4W max

IN 230Vac, consumption 4W max, complete with voltage transformer

OHEGBB- WEATHERPROOF JUNCTION BOX

4 PG9 cable glands

IP55

Unit weight: 0.4kg (0,9lb)

VIP6A- WIPER FOR HEG

Enclosure from reinforced polypropylene

Wiper blade constructed from stainless steel/aluminium

RAL9002 Colour

IP66

Dimensions (WxHxL): 99x114x209mm (3.9x4.5x8.2in) (not comprehensive of blade)

Unit weight: 0.7kg (1,5lb)

Connector 3+1 PINS

IN 230Vac, consumption 7W max

IN 24Vac, consumption 7W max

Operating temperature: $-20^{\circ}\text{C} / +60^{\circ}\text{C}$ ($-4^{\circ}\text{F} / +140^{\circ}\text{F}$)

WAS WASHER PUMP AND 5 OR 23 LITER TANK**Washer pump, tank of 5l, 5m (16ft) delivery**

Polyethylene tank, stainless steel cage

Dimensions (WxHxL): 217x272x257mm (8.5x10.7x10.1in)

Unit weight: 3.5kg (7.7lb) (WAS), 3.8kg (8.4lb) (WASPT)

Water tank capacity: 5l (1.3gal)

Delivery head: 5m (16ft) max

Tube length: 5m (16ft)

Power supply/Current consumption:

- 230Vac, 0.3A, 50/60Hz
- 120Vac, 0.6A, 50/60Hz
- 24Vac, 1.8A, 50/60Hz

Operating temperatures

- Maximum temperature: 60°C
- Minimum temperature (with antifreeze liquid in solution, full performance): -10° (14°F)
- Minimum temperature (with antifreeze liquid in solution, reduced performance): -25°C

Electrical safety (CE): EN60950-1

Outdoor installation (CE): EN60950-22

IP protection degree: EN60529, IP56

Washer pump, tank of 23l, 5m (16ft) delivery

Polyethylene tank, stainless steel cage

Dimensions (WxHxL): 301x410x348mm (11.8x16.1x13.7in)

Unit weight: 5.4kg (11.9lb) (WAS), 5.5kg (12.1lb) (WASPT)

Water tank capacity: 23l (6gal)

Delivery head: 5m (16ft) max

Tube length: 5m (16ft)

Power supply/Current consumption:

- 230Vac, 0.3A, 50/60Hz
- 120Vac, 0.6A, 50/60Hz
- 24Vac, 1.8A, 50/60Hz

Operating temperatures

- Maximum temperature: 60°C
- Minimum temperature (with antifreeze liquid in solution, full performance): -10° (14°F)
- Minimum temperature (with antifreeze liquid in solution, reduced performance): -25°C

Electrical safety (CE): EN60950-1

Outdoor installation (CE): EN60950-22

IP protection degree: EN60529, IP56

Washer pump, tank of 23l, 11m (36ft) delivery

Polyethylene tank, stainless steel cage

Dimensions (WxHxL): 301x410x348mm (11.8x16.1x13.7in)

Unit weight: 5.9kg (13lb) (WAS), 6.7kg (14.8lb) (WASPT)

Water tank capacity: 23l (6gal)

Delivery head: 11m (36ft) max

Tube length: 11m (36ft)

Power supply/Current consumption:

- 230Vac, 0.5A, 50/60Hz
- 120Vac, 1A, 50/60Hz
- 24Vac, 3.8A, 50/60Hz

Operating temperatures

- Maximum temperature: 60°C
- Minimum temperature (with antifreeze liquid in solution, full performance): -10° (14°F)
- Minimum temperature (with antifreeze liquid in solution, reduced performance): -25°C

Electrical safety (CE): EN60950-1

Outdoor installation (CE): EN60950-22

IP protection degree: EN60529, IP56

Washer pump, tank of 23l, 30m (98ft) delivery

Polyethylene tank, stainless steel cage

Dimensions (WxHxL): 301x620x348mm (11.9x24.4x13.7in)

Unit weight: 13.9kg (30.6lb) (WAS), 15.1kg (33.3lb) (WASPT)

Water tank capacity: 23l (6gal)

Delivery head: 30m (98ft) max

Tube length: 30m (98ft)

Power supply/Current consumption:

- 230Vac, 2A, 50/60Hz
- 120Vac, 4.5A, 60Hz

Operating temperatures

- Maximum temperature: 60°C
- Minimum temperature (with antifreeze liquid in solution, full performance): -10° (14°F)

Electrical safety (CE): EN60950-1

IP protection degree: EN60529, IPX4

DTWRX TELEMETRY DATA RECEIVER FOR WIPER AND WASHER REMOTE CONTROL

2 functions: WIPER, WASHER

31 selectable addresses through Dip Switch

Serial input RS-485

2 status LED: Stand-by and receiver control

Dimensions: 43x56x13mm (1.7x2.2x0.51in)

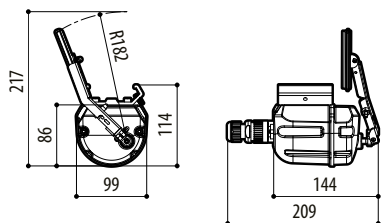
Unit weight: 0.02kg

| PACKAGE | | | |
|--------------------------------|---|---------------------------|---------------|
| Model Number | Weight | Dimensions (WxHxL) | Master carton |
| OHEGBB | 0.6kg (1.3lb) | 17x35x13cm (6.7x13.8x5in) | 16 |
| VIP6A1 | 0.9kg | 14.5x15x27cm (6x6x11in) | 15 |
| WAS0V5L5M00 | 4kg (8.8lb) | 31x31x22cm | 4 |
| WAS0V23L5M00 | 6.2kg (13.7lb) | 32x37.5x51cm | - |
| WAS0V23L11M00 | 5.9kg (13lb) | 32x37.5x51cm | - |
| WAS1V23L30M00 (15x12.6x31.1in) | 13.1kg (28.9lb) | - | 38x32x79cm |
| WASPT0V5L5M00 | 4.3kg | 31x31x22cm | - |
| WASPT0V23L5M00 | 6.4kg | 32x37.5x51cm | - |
| WASPT0V23L11M00 | 7.5kg (16.5lb) | 32x37.5x51cm | - |
| WASPT1V23L30M00 | 15.4kg | 38x22x79cm | - |
| PART NUMBER | | | |
| OHOVPOEIPM | Kit retrofit for IPM technology on HOV housing | | |
| OHPVPOEIPM | Kit retrofit with IPM technology on VERSO housing | | |
| OHEH26 | Heater 120Vac/230Vac for HOV, HTV, VERSO, VERSO COMPACT housings | | |
| OHEH27 | Heating 12Vdc/24Vac for HOV, HTV, HTC, VERSO and VERSO COMPACT housings | | |
| OHEH24B | Heater 120/230Vac for HEG, HTG, AVTPSK, AVTPSC housings | | |
| OHEH25B | Heater 12Vdc/24Vac for HEG, HTG, AVTPSK, AVTPSC housings | | |
| OHEH01B | Heater 12Vdc/24Vac for HEB, HEK housings | | |
| OHEH02B | Heater 120/230Vac for HEB, HEK housings | | |
| OHOTPS1 | Wide range camera power supply IN 100-240Vac - OUT 12Vdc, 15W, for PUNTO housing | | |
| OHOTPS2 | Camera power supply IN 230Vac - OUT 24Vac, 10VA, for PUNTO housing | | |
| OHOVPS1B | Wide range camera power supply IN 100-240Vac - OUT 12Vdc, 15W, for HOV and HTV housing | | |
| OHOVPS2B | Camera power supply IN 230Vac - OUT 24Vac, 10VA, for HOV and HTV housings | | |
| OHEPS19B | Wide range camera power supply IN 100-240Vac - OUT 12Vdc, 15W, for VERSO, VERSO POLAR, VERSO COMPACT, HEG, HTG housings | | |
| OHEPS20 | Camera power supply IN 230Vac - OUT 24Vac, 10VA, for VERSO, VERSO POLAR, VERSO COMPACT, HEG, HTG housings | | |

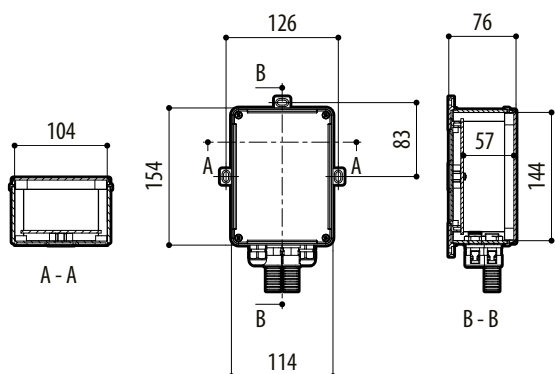
| | |
|-----------------|---|
| OHEPS01B | Wide range camera power supply IN 100-240Vac - OUT 12Vdc, 15W, for HEB housing |
| OHEPS02B | Camera power supply IN 230Vac - OUT 24Vac, 10VA, for HEB housing |
| OHEPS10B | Wide range camera power supply IN 100-240Vac - OUT 12Vdc, 15W, for HEK housing |
| OHEPS11B | Camera power supply IN 230Vac - OUT 24Vac, 10VA, for HEK housing |
| OHEGBPS1B | Wide range camera power supply IN 100-240Vac - OUT 12Vdc in weatherproof box, 15W, for VERSO, VERSO POLAR, HEG, HTG housings |
| OHEGBPS2B | Camera power supply IN 230Vac - OUT 24Vac in weatherproof box, 10VA, for VERSO, VERSO POLAR, HEG, HTG housings |
| OHEBVF1 | Blower with thermostat and air filter IN 12Vdc, for HEB housing, not compatible with WBOVA2 and WBOV3A2 brackets |
| OHEBVF2 | Blower with thermostat and air filter IN 24Vac, for HEB housing, not compatible with WBOVA2 and WBOV3A2 brackets |
| OHEBVF3 | Blower with thermostat and air filter IN 230Vac, for HEB housing, not compatible with WBOVA2 and WBOV3A2 brackets |
| OHOVV1 | Heater fan assistant, continuous duty, IN 12Vdc, for HOV housing |
| OHOVV2 | Heater fan assistant, continuous duty, IN 24Vac, for HOV housing |
| OHOVV3 | Heater fan assistant, continuous duty, IN 100-240Vac, for HOV housing |
| OHPVV1 | Heater fan assistant, continuous duty, IN 12Vdc, for VERSO and VERSO COMPACT housings |
| OHPVV2 | Heater fan assistant, continuous duty, IN 24Vac, for VERSO and VERSO COMPACT housings |
| OHPVV3 | Heater fan assistant, continuous duty, IN 100-240Vac, for VERSO and VERSO COMPACT housings |
| OHEGBB | Weatherproof junction box |
| VIP6A1 | Wiper 230Vac for HEG housings |
| VIP6A2 | Wiper 24Vac for HEG housings |
| WAS0V5L5M00 | Water tank 5l, pump with delivery up to 5m (16ft), IN 230Vac-24Vac-120Vac |
| WAS0V23L5M00 | Water tank 23l, pump with delivery up to 5m (16ft), IN 230Vac-24Vac-120Vac |
| WAS0V23L11M00 | Water tank 23l, pump with delivery up to 11m (36ft), IN 230Vac-24Vac-120Vac |
| WAS1V23L30M00 | Water tank 23l, pump with delivery up to 30m (98ft) with water floating, IN 230Vac |
| WAS3V23L30M00 | Water tank 23l, pump with delivery up to 30m (98ft) with water floating, IN 120Vac |
| WASPT0V5L5M00 | Water tank 5l, pump with delivery up to 5m (16ft), IN 230Vac-24Vac-120Vac |
| WASPT0V23L5M00 | Water tank 23l, pump with delivery up to 5m (16ft), IN 230Vac-24Vac-120Vac |
| WASPT0V23L11M00 | Water tank 23l, pump with delivery up to 11m (36ft), IN 230Vac-24Vac-120Vac |
| WASPT1V23L30M00 | Water tank 23l, pump with delivery up to 30m (98ft) with water floating, IN 230Vac |
| WASPT3V23L30M00 | Water tank 23l, pump with delivery up to 30m (98ft) with water floating, IN 120Vac |
| DTWRX | Data receiver for remote control of the wiper and WASPT range pumps |
| OHOVTA1 | Tamper switch on board with tamper proof screws and key for HOV housing |
| OHPVTA1 | Tamper switch on board with tamper proof screws and key for VERSO housing |
| OWBIP2 | Sealing rings kit (3xM16) IP66/IP67 for WBOVA2 and WCM4A2 brackets for PUNTO, HOV, HTV, HTC, VERSO, VERSO POLAR, VERSO COMPACT, HEB, HEK housings |
| OWBIP3 | Sealing rings kit (1xM12 - 1xM16 - 1xM20) IP66/IP67 for WBOVA2 and WCM4A2 brackets for VERSO Hi-PoE IPM and HOV Hi-PoE IPM housings |

| ACCESSORIES COMPATIBILITY | | | | | | | | | | |
|---|---------|---|----------|------------|---------------|----------|----------|---|-----------|---|
| | PUNTO | HOV | HTV | VERSO | VERSO COMPACT | HEK | HEB | HEG | HTG | HGV |
| Retrofit kit with Hi-PoE IPM technology | – | OHOVPOEIPM | – | OHPVPOEIPM | – | – | – | – | – | – |
| Heater 20W, 12Vdc/24Vac | – | OHEH27 | OHEH27 | OHEH27 | OHEH27 | OHEH01B | OHEH01B | OHEH025B | OHEH025B | – |
| Heater 40W, 120/230Vac | – | OHEH26 | OHEH26 | OHEH26 | OHEH26 | OHEH02B | OHEH02B | OHEH024B | OHEH024B | – |
| Blower with air filter 12Vdc | – | – | – | – | – | – | OHEBVF1 | – | – | – |
| Blower with air filter 24Vac | – | – | – | – | – | – | OHEBVF2 | – | – | – |
| Blower with air filter 230Vac | – | – | – | OHPVCF3 | – | – | OHEBVF3 | – | – | – |
| Internal camera power supply 12Vdc OUT, 100÷240Vac IN, 1A max | OHOTPS1 | OHOVPS1B | OHOVPS1B | OHEPS19B | OHEPS19B | OHEPS10B | OHEPS01B | OHEPS19B | OHEPS19B | – |
| Internal camera power supply 12Vdc OUT, 230Vac IN 400mA max | – | – | – | – | – | – | – | – | – | – |
| Internal camera power supply 24Vac OUT, 230Vac IN, 400mA max | OHOTPS2 | OHOVPS2B | OHOVPS2B | OHEPS20 | OHEPS20 | OHEPS11B | OHEPS02B | OHEPS20 | OHEPS20 | – |
| Weatherproof box | OHEGBB | OHEGBB | OHEGBB | OHEGBB | OHEGBB | OHEGBB | OHEGBB | OHEGBB | OHEGBB | OHEGBB |
| Camera power supply 12Vdc OUT in weatherproof junction box, 100÷240Vac IN, 1A max | – | – | – | OHEGBPS1B | – | – | – | OHEGBPS1B | OHEGBPS1B | – |
| Camera power supply 24Vac OUT in weatherproof junction box, 230Vac IN, 400mA max | – | – | – | OHEGBPS2B | – | – | – | OHEGBPS2B | OHEGBPS2B | – |
| Wiper kit 24Vac | – | ✓ ¹ | – | – | – | – | – | VIP6A2 | – | ✓ ¹ |
| Wiper kit 230Vac | – | ✓ ¹ | – | – | – | – | – | VIP6A1 | – | ✓ ¹ |
| Washer pump with tank, 24Vac | – | WASOV5L5M00 WASOV23L5M00 WASOV23L11M00 | – | – | – | – | – | WASOV5L5M00 WASOV23L5M00 WASOV23L11M00 | – | WASOV5L5M00 WASOV23L5M00 WASOV23L11M00 |
| Washer pump with tank, 120Vac | – | WASOV5L5M00 WASOV23L5M00 WASOV23L11M00 WAS3V23L30M00 | – | – | – | – | – | WASOV5L5M00 WASOV23L5M00 WASOV23L11M00 WAS3V23L30M00 | – | WASOV5L5M00 WASOV23L5M00 WASOV23L11M00 WAS3V23L30M00 |
| Washer pump with tank, 230Vac | – | WASOV5L5M00 WASOV23L5M00 WASOV23L11M00 WAS1V23L30M00 | – | – | – | – | – | WASOV5L5M00 WASOV23L5M00 WASOV23L11M00 WAS1V23L30M00 | – | WASOV5L5M00 WASOV23L5M00 WASOV23L11M00 WAS1V23L30M00 |
| Water tank with pump, 24Vac (only with DTWRX) | – | WASPTOV5L5M00 WASPTOV23L5M00 WASPTOV23L11M00 | – | – | – | – | – | WASPTOV5L5M00 WASPTOV23L5M00 WASPTOV23L11M00 | – | WASPTOV5L5M00 WASPTOV23L5M00 WASPTOV23L11M00 |
| Water tank with pump, 120Vac (only with DTWRX) | – | WASPTOV5L5M00 WASPTOV23L5M00 WASPTOV23L11M00 WASPT3V23L30M00 | – | – | – | – | – | WASPTOV5L5M00 WASPTOV23L5M00 WASPTOV23L11M00 WASPT3V23L30M00 | – | WASPTOV5L5M00 WASPTOV23L5M00 WASPTOV23L11M00 WASPT3V23L30M00 |
| Washer pump with tank, 230Vac (only with DTWRX) | – | WASPTOV5L5M00 WASPTOV23L5M00 WASPTOV23L11M00 WASPT1V23L30M00 | – | – | – | – | – | WASPTOV5L5M00 WASPTOV23L5M00 WASPTOV23L11M00 WASPT1V23L30M00 | – | WASPTOV5L5M00 WASPTOV23L5M00 WASPTOV23L11M00 WASPT1V23L30M00 |
| Wiper/Washer control | – | DTWRX | – | – | – | – | – | DTWRX | – | DTWRX |
| Heater fan assistant, continuous duty, 12Vdc | – | OHOVV1 | – | OHPVV1 | OHPVV1 | – | – | – | – | – |
| Heater fan assistant, continuous duty, 24Vac | – | OHOVV2 | – | OHPVV2 | OHPVV2 | – | – | – | – | – |
| Heater fan assistant, continuous duty, 230Vac | – | OHOVV3 | – | OHPVV3 | OHPVV3 | – | – | – | – | – |
| Alarm tamper switch | – | OHOVTA1 | OHOVTA1 | OHOVTA1 | – | – | – | – | – | – |

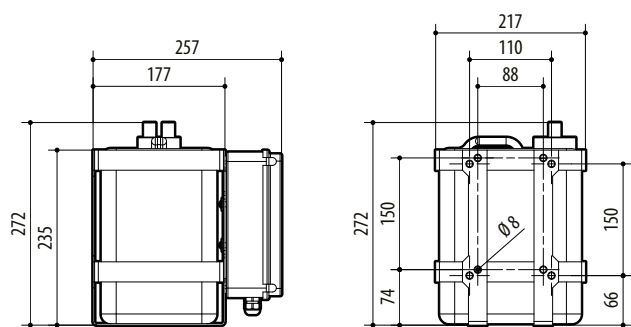
¹ Built-in.



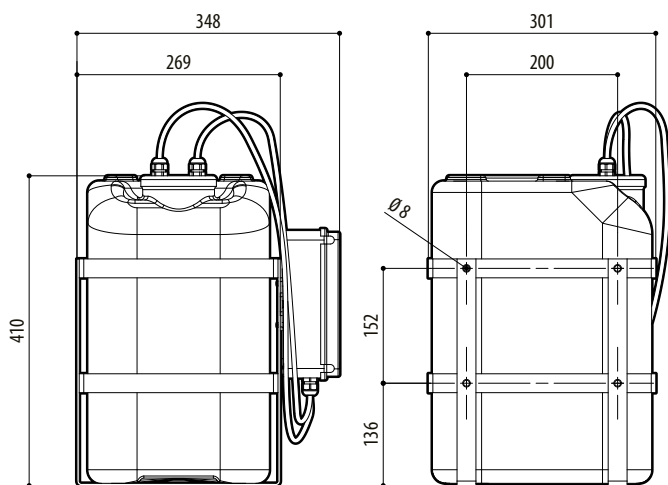
VIP6A



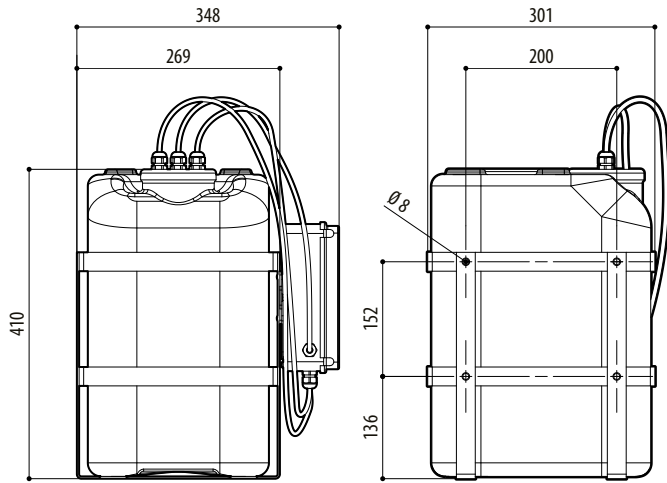
OHEGBB



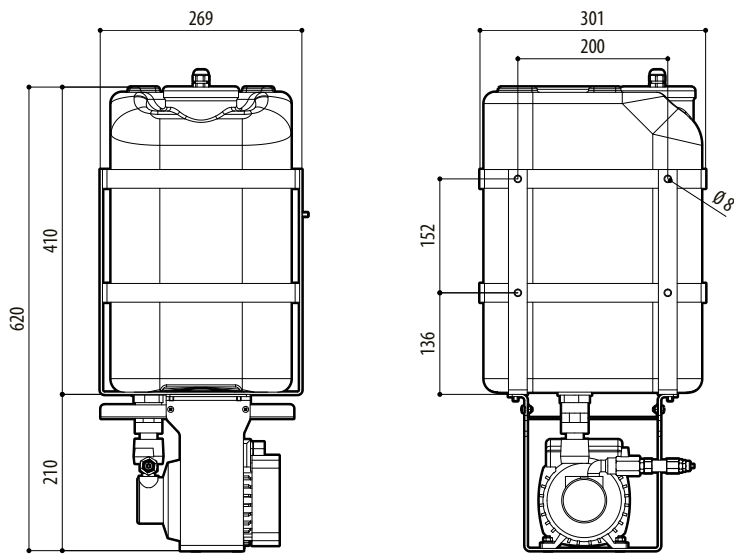
WATER TANK 5L (1.3GAL), 5M (16FT) DELIVERY (WAS-WASPT)



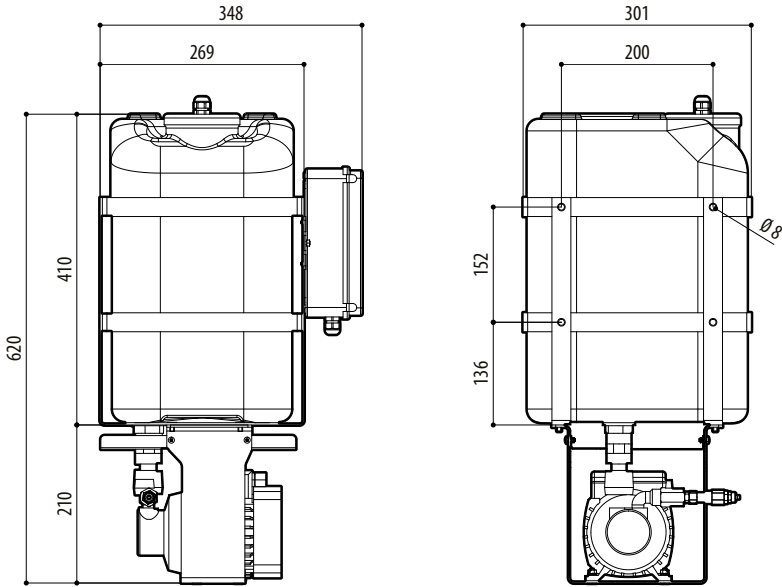
WATER TANK 23L (6GAL), 5M (16FT) DELIVERY (WAS-WASPT) OR 11M (36FT) (WAS)



WATER TANK 23L (6GAL), 11M (36FT) DELIVERY (WASPT)



WATER TANK 23L (6GAL), 30M (98FT) DELIVERY (WAS)



WATER TANK 23L (6GAL), 30M (98FT) DELIVERY (WASPT)