



Ultra Wide Dynamic Range

Hawk DX 2 Starvis

- 60fps 1080p
- Ultra WDR 120dB
- 2.7-12mm Motorised P-Iris Lens
- Image Stabilization
- Live BNC Analog output
- 40M Smart IR
- POE + (IEEE 802.3at)
- Quad Stream
- OnVif
- 4 year Warranty

Starvis™ Sensor

The Hawk DX2 Series incorporates Sony's Starvis™ back-illuminated pixel technology CMOS image sensor producing a colour sensitivity of 0.03Lux enabling colour images at night with excellent colour reproduction, ideal for security applications in tough lighting conditions such as city centre schemes.

Ultra WDR 120dB

The Hawk DX 2 range also offers the latest multi shuttering Ultra-Wide Dynamic Range feature making this range ideal for surveillance in areas with strong variations in light, for instance close to large windows and entrances or where the sunlight creates both very bright zones and dark shadows.

Motorised P-Iris Lens

Remote zoom and focus feature enables convenient focusing over the network together with the special P-Iris lens, eliminating the need for hands-on fine tuning. This remote adjustment functionality greatly speeds up installation time.

Image Stabilization

The new DX 2 version is equipped with EIS (Ernitec Image Stabilization) which enables the capture objects in high vibration conditions without the image shake you get from normal IP cameras, ideal for installing cameras at height with unstable mounting points.

Protection

The Hawk DX 2 series offers IP66 protection against dust, rain and snow and can operate in extreme cold temperatures. The cameras' extreme cold control function ensures safe start-up from -40 °C with an operational temperature range of -40°C ~ +50°C (POE+)

Smart IR Technology

The Hawk DX 2 series, incorporates the latest improvements in Smart IR technology offering up to 45 meters distance.

Optional Mounting Accessories

Hawk Pole Mount

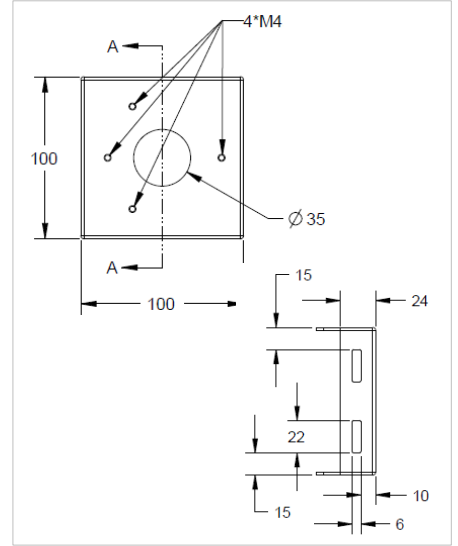
Dimensions: 100x100x40mm

Weight: 0.7 kg

Thin: Part number 0070-10023

All supplied with stainless steel straps x4, M8x16 screw x4, washer x4 and spring washer-8 x4.

Note: For pole mount combine 0070-100022 and 0070-10023

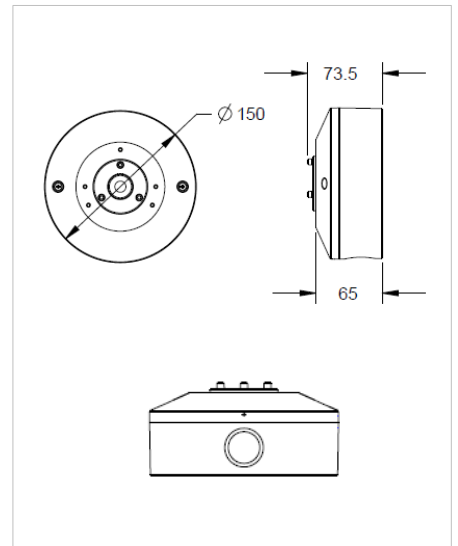


Pole Mount Back Box

Hawk SX and DX series pole mount back box for cable protection and concealment.

Weight: 1 kg

Part number 0070-10022



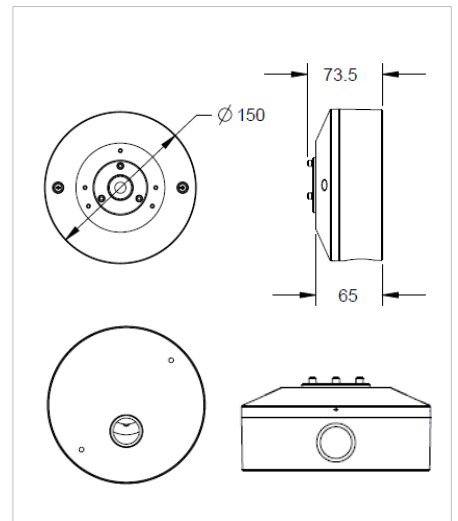
Note: For pole mount combine 0070-100022 and 0070-10023

Wall Mount Back Box

Hawk SX and DX series back box for cable protection and concealment.

Weight: 1 kg

Part number 0070-10019



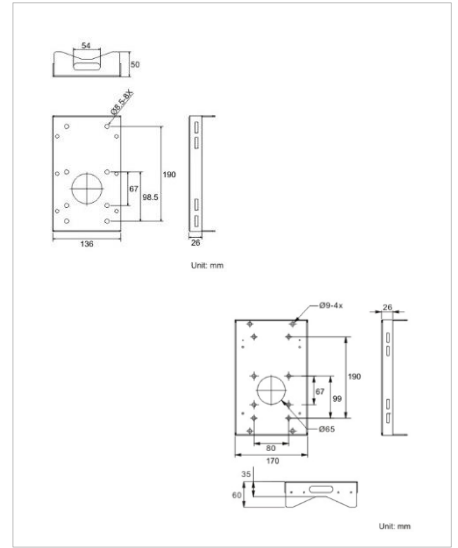
Optional Mounting Accessories

Pole Mount Options

Dimensions: 232×136×60 mm
 Diameter: 112~130 mm
 Weight: 0.7 kg
 Thin: Part number 0070-10002

Dimensions: 270×170×60 mm
 Diameter: 112~140 mm
 Weight: 1 kg
 Part number 0070-10003

All supplied with stainless steel straps x4, M8x16 screw x4, washer x4 and spring washer-8 x4.



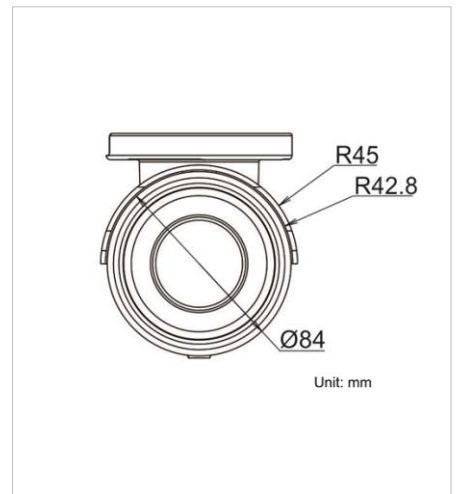
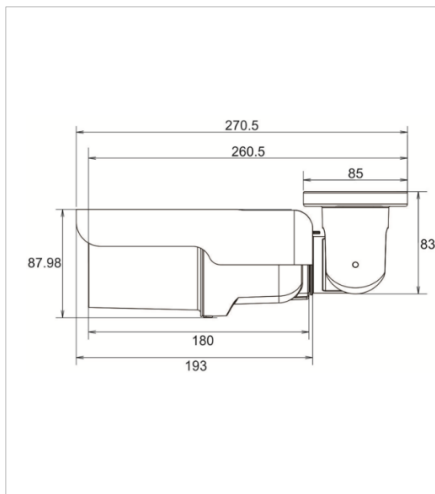
Electra POE+

PoE + Injector for low temperatures below -20 °C
 Part number ELECTRA-P-30W



Hawk Housing

Hawk housing drawing with dimensions.



Technical Specification Hawk DX-422

Camera	
Camera type	Bullet day / night
Effective Pixels	1920(H) x 1080(V)
Image Sensor	1/2.8" Sony Starvis CMOS 1945(H) x 1097 (V) 2.13M Pixels
Electronic Shutter Speed	1~1/10.000 sec.
Min. Illumination	0.03 lux (Colour)/ 0.003 lux (B/W) F1.2, 30IRE
Day/night switching	Mechanical IR-cut
Lens	
Lens type	Motorized Autofocus
Focal Length	2.7 ~ 12 mm
F. number	F1.6
Iris	P- iris
FOV	110° (Wide); 34° (Tele)
Video	
Video compression	H.264/MJPEG
Resolution	Full HD 1080P / SXGA / HD 720P / XGA / SVGA / D1 / VGA / CIF / QCIF@60fps or 30fps (UWDR)
Single stream NTSC	H.264 1080P @ 60 fps
Single stream PAL	H.264 1080P @ 50 fps
Multiple streams	Dual Stream: PAL: H.264 1080P(25 fps) + H.264 1080P(25 fps) NTSC: H.264 1080P(30 fps) + H.264 1080P(30 fps) Triple Stream: PAL: H.264 720P(50 fps) + H.264 720P(25 fps) + H.264 800x600(25fps) NTSC: H.264 720P(60 fps) + H.264 720P(30 fps) + H.264 800x600(30fps) Quad Stream: PAL: H.264 1080P(25 fps) + H.264 720P(25 fps) + H.264 720P(25 fps)+ H.264 QVGA(25 fps) NTSC: H.264 1080P(30 fps) + H.264 720P(30 fps) + H.264 720P(30 fps)+ H.264 QVGA(30 fps)
Brightness	Manual
Exposure	Auto / Manual
Sharpness	Manual
Contrast	Manual
White Balance	Manual / AWB/ ATW
Saturation	Manual
Hue	Manual
Digital Zoom	Yes
Ultra WDR	upto 120dB
3D Noise	On/Off
Privacy Zone	On/Off
Motion detection	On/Off
Image Stabilization (ESI)	On/Off
Tampering Alarm	On/Off

Network	
Network Interface	Ethernet (RJ45) 10/100Mbps
Supported protocol	IPv4/v6, TCP/IP, UDP, RTP, STPS, HTTP, HTTPS, ICMP, FTP, SMTP, DHCP, PPPoE, Upnp, IGMP, SNMP, QoS
Internet Browser	Internet Explorer (6.0+), Chrome, Firefox, Safari
Password Levels	User / Administrator
User Account	20
Event Notification	HTTP, FTP, SMTP

General	
OnVif	Profile S, see more information on www.onvif.org
Edge Storage	SD/ SDHC card slot (card is not included)
Audio	Two-way /G.711 /G.726
Audio input / output	4 pins terminal block
Digital In/out	1 /1 (terminal block)
Analog Video Output	1Vpp, 75Ω, PAL BNC connector class 2
Power Voltage	12VDC / 24VAC/ POE/POE+ (IEEE802.3af / IEEE802.at)
Power Consumption	Without heater 8.9W With fan/heater 25.0W
Power Connector	3 pins terminal block / RJ45
Fan & Heater	Yes, 25W 12VDC, 24VAC/ POE+
Built-in IR illuminator	Up to 40 meters 6, 850nm LEDs
Environmental Casing	IP66
Languages	English, French, German, Italian
Operating Temperature/Humidity	-10°C ~ +50°C (POE) -40°C ~ +50°C (POE+) 10% ~ 90% RH
Dimensions	Ø151 x 130,52 mm
Weight (Net)	Approx. 800g
Warranty	4 years
Included accessories	Installation and Management software USB
Part number	0070-05422

Optional accessories	
1ch video management software	0063-99999
HAWK BACK BOX	0070-10019
HAWK POLE MOUNT BACK BOX	0070-10022
POLE MOUNT	0070-10023

DISTRBUTED BY



We reserve the right to introduce product modifications without notice

Follow us on



© 2015 Ernitec. All rights reserved
www.ernitec.com

Ernitec
Tempovej 41
2750 Ballerup
Denmark

R11EN0917