



IP Bullet Camera

Hawk SX Series 2nd Generation

- Hawk SX-412 720P
- Hawk SX-422 1080P
- 30 Frames per Second
- Wide Dynamic Range
- Motorised P-Iris Lens
- 35M Infra-Red Illuminator
- POE + (IEEE 802.3at)
- Quad Stream
- OnVif
- 4 year Warranty

Hi Performance Sensor

The second generation of Hawk SX Series Bullet cameras incorporates Sony's new Exmor™ CMOS image sensor which is specially designed for security applications and includes state-of-the-art image enhancement technologies offering excellent colour reproduction.

WDR

The Hawk SX 2nd generation also offers the latest Wide Dynamic Range feature making this range ideal for surveillance in areas with strong variations in light, for instance close to large windows and entrances or where the sunlight creates both very bright zones and dark shadows.

Motorised P-Iris Lens

Remote zoom and focus feature enables convenient focusing over the network together with the special P-Iris lens, eliminating the need for hands-on fine tuning. This remote adjustment functionality greatly speeds up installation time and ensures that the camera's angle of view is optimized for the area to be monitored giving contrast and clarity in the depth of field and optimising image resolution.

Hi-POE

The new SX 2nd generation comes with High Power over Ethernet (PoE+) meaning the heater in the camera no longer needs to be powered locally, this feature once again simplifies installation since only one cable is needed to carry power for the camera, heater as well as video signal.

Protection

The Hawk SX series offers IP66 protection against dust, rain and snow and can operate in extreme cold temperatures. The cameras' extreme cold control function ensures safe start-up from -40 °C with an operational temperature range of -40°C ~ +50°C (POE+)

Improved IR Technology

The Hawk SX series, incorporates the latest improvements in IR technology offering up to 30 meters distance.

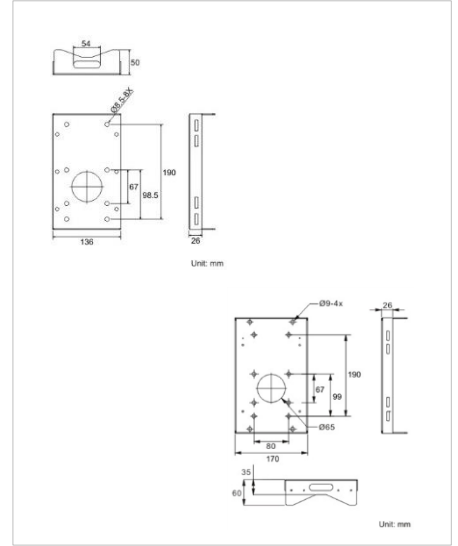
Optional Mounting Accessories

Pole Mount Thin

Dimensions: 232×136×60 mm
 Diameter: 112~130 mm
 Weight: 0.7 kg
 Thin: Part number 0070-10002

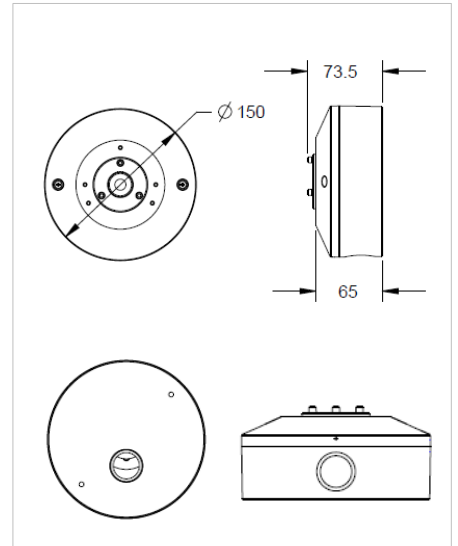
Dimensions: 270×170×60 mm
 Diameter: 112~140 mm
 Weight: 1 kg
 Part number 0070-10003

All supplied with stainless steel straps x4, M8x16 screw x4, washer x4 and spring washer-8 x4.



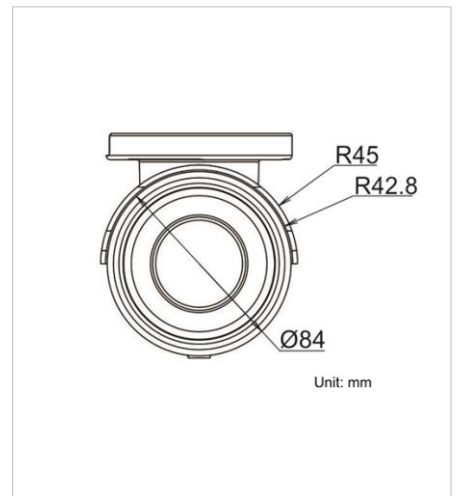
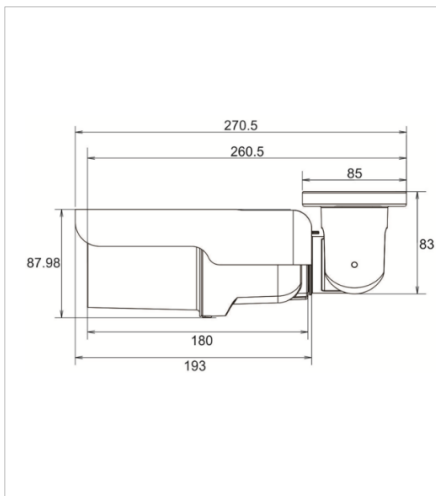
Wall Mount Back Box

Hawk SX and DX series back box for cable protection and concealment.
 Weight: 1 kg
 Part number 0070-10019



Hawk Housing

Hawk housing drawing with dimensions.



Technical Specification Hawk SX-412 720P

Camera	
Camera type	Dome day / night (ICR Type)
Effective Pixels	1329 (H) x 1049 (V)
Image Sensor	1/2.7" Sony Progressive CMOS
Electronic Shutter Speed	1~1/10.000 sec.
Min. Illumination	1.0 Lux (Colour), 0.01 Lux (B/W), F1.2, 30IRE
Day/night switching	Mechanical IR-cut
Lens	
Lens type	Motorized Autofocus
Focal Length	3 ~ 9 mm
F. number	F1.2 (wide), F2.1(tele)
Iris	P- iris
FOV	89° (Wide); 36° (Tele)
Video	
Video compression	H.264/MJPEG
Resolution	Full HD 1080P / SXGA / HD 720P / XGA / SVGA / D1 / VGA / CIF / QCIF@30fps (WDR)
Single stream NTSC	H.264 720P @ 30 fps
Single stream PAL	H.264 720P @ 25 fps
Multiple streams	Dual Stream:
Brightness	Manual
Exposure	Auto / Manual
Sharpness	Manual
Contrast	Manual
White Balance	Manual / AWB/ ATW
Saturation	Manual
Hue	Manual
Digital Zoom	Yes
WDR	upto 75dB
3D Noise	On/Off
Privacy Zone	On/Off
Motion detection	On/Off
Tampering Alarm	On/Off

Network	
Network Interface	Ethernet (RJ45) 10/100Mbps
Supported protocol	IPv4/v6, TCP/IP, UDP, RTP, STPS, HTTP, HTTPS, ICMP, FTP, SMTP, DHCP, PPPoE, Upnp, IGMP, SNMP, QoS
Internet Browser	Internet Explorer (6.0+), Chrome, Firefox, Safari
Password Levels	User / Administrator
User Account	20
Event Notification	HTTP, FTP, SMTP
General	
OnVif	Profile S, see more information on www.onvif.org
SD Card Slot	Optional SD card slot Micro SDXC 64GB supported (card is not included)
Audio	Two-way /G.711 /G.726
Audio input / output	4 pins terminal block
Digital In/out	1 /1 (terminal block)
Analog Video Output	1Vpp, 75Ω, PAL BNC connector class 2
Power Voltage	12VDC / 24VAC/ POE/POE+ (IEEE802.3af / IEEE802.at)
Power Consumption	Without heater 8.9W With fan/heater 25.0W
Power Connector	3 pins terminal block / RJ45
Fan & Heater	Yes, 25W 12VDC, 24VAC/ POE+
Built-in IR illuminator	Up to 35 meters 850nm LED
Environmental Casing	IP66
Languages	English, French, German, Italian
Operating Temperature/Humidity	-10°C ~ +50°C (POE) -40°C ~ +50°C (POE+) 10% ~ 90% RH
Dimensions	Ø151 x 130,52 mm
Weight (Net)	Approx. 800g
Warranty	4 years
Included accessories	Installation and Management software DVD
Part number	0070-04421

Optional accessories	
1ch video management software	0063-99999
POLE THIN DIRECT MOUNTING	0070-10002
POLE WIDE DIRECT MOUNTING	0070-10003
HAWK BACK BOX	0070-10019
AppView for smart phones and tablet	free download



Technical Specification Hawk SX-412 1080P

Camera	
Camera type	Dome day / night (ICR Type)
Effective Pixels	1920(H) x 1080(V)
Image Sensor	1/2.8" Sony Progressive CMOS
Electronic Shutter Speed	1~1/10.000 sec.
Min. Illumination	1.0 Lux (Colour), 0.01 Lux (B/W), F1.2, 30IRE
Day/night switching	Mechanical IR-cut
Lens	
Lens type	Motorized Autofocus
Focal Length	3 ~ 9 mm
F. number	F1.2 (wide), F2.1(tele)
Iris	P- iris
FOV	135.6° (Wide); 45.5° (Tele)
Video	
Video compression	H.264/MJPEG
Resolution	Full HD 1080P / SXGA / HD 720P / XGA / SVGA / D1 / VGA / CIF / QCIF@30fps (WDR)
Single stream NTSC	H.264 1080P @ 30 fps
Single stream PAL	H.264 1080P @ 25 fps
Multiple streams	Quad Stream
Video compression	H.264/MJPEG
Brightness	Manual
Exposure	Auto / Manual
Sharpness	Manual
Contrast	Manual
White Balance	Manual / AWB/ ATW
Saturation	Manual
Hue	Manual
Digital Zoom	Yes
WDR	upto 75dB
3D Noise	On/Off
Privacy Zone	On/Off
Motion detection	On/Off
Tampering Alarm	On/Off

Network	
Network Interface	Ethernet (RJ45) 10/100Mbps
Supported protocol	IPv4/v6, TCP/IP, UDP, RTP, STPS, HTTP, HTTPS, ICMP, FTP, SMTP, DHCP, PPPoE, Upnp, IGMP, SNMP, QoS
Internet Browser	Internet Explorer (6.0+), Chrome, Firefox, Safari
Password Levels	User / Administrator
User Account	20
Event Notification	HTTP, FTP, SMTP

General	
OnVif	Profile S, see more information on www.onvif.org
SD Card Slot	Optional SD card slot Micro SDXC 64GB supported (card is not included)
Audio	Two-way /G.711 /G.726
Audio input / output	4 pins terminal block
Digital In/out	1 /1 (terminal block)
Analog Video Output	1Vpp, 75Ω, PAL BNC connector class 2
Power Voltage	12VDC / 24VAC/ POE/POE+ (IEEE802.3af / IEEE802.at)
Power Consumption	Without heater 8.9W With fan/heater 25.0W
Power Connector	3 pins terminal block / RJ45
Fan & Heater	Yes, 25W 12VDC, 24VAC/ POE+
Built-in IR illuminator	Up to 35 meters 850nm LED
Environmental Casing	IP66
Languages	English, French, German, Italian
Operating Temperature/Humidity	-10°C ~ +50°C (POE) -40°C ~ +50°C (POE+) 10% ~ 90% RH
Dimensions	Ø151 x 130,52 mm
Weight (Net)	Approx. 800g
Warranty	4 years
Included accessories	Installation and Management software DVD
Part number	0070-04422

Optional accessories	
1ch video management software	0063-99999
POLE THIN DIRECT MOUNTING	0070-10002
POLE WIDE DIRECT MOUNTING	0070-10003
HAWK BACK BOX	0070-10019
AppView for smart phones and tablet	free download

DISTRBUTED BY



We reserve the right to introduce product modifications without notice

Follow us on



© 2015 Ernitec. All rights reserved
www.ernitec.com

Ernitec
Tempovej 41
2750 Ballerup
Denmark

RO6EN0316