

Memory Module Specifications

KF446C19RB12K2/32

32GB (16GB 2G x 64-Bit x 2 pcs.)
 DDR4-4600 CL19 288-Pin DIMM Kit



SPECIFICATIONS

| | |
|--|-------------------|
| CL(IDD) | 17 cycles |
| Row Cycle Time (tRCmin) | 45.75ns(min.) |
| Refresh to Active/Refresh Command Time (tRFCmin) | 350ns(min.) |
| Row Active Time (tRASmin) | 32ns(min.) |
| UL Rating | 94 V - 0 |
| Operating Temperature | 0° C to +85° C |
| Storage Temperature | -55° C to +100° C |

DESCRIPTION

Kingston FURY KF446C19RB12K2/32 is a kit of two 2G x 64-bit (16GB) DDR4-4600 CL19 SDRAM (Synchronous DRAM) 2Rx8, memory module, based on sixteen 1G x 8-bit FBGA components per module. Each module kit supports Intel® Extreme Memory Profiles (Intel® XMP) 2.0. Total kit capacity is 32GB. Each module has been tested to run at DDR4-4600 at a low latency timing of 19-26-26 at 1.5V. The SPDs are programmed to JEDEC standard latency DDR4-2400 timing of 17-17-17 at 1.2V. Each 288-pin DIMM uses gold contact fingers. The JEDEC standard electrical and mechanical specifications are as follows:

FEATURES

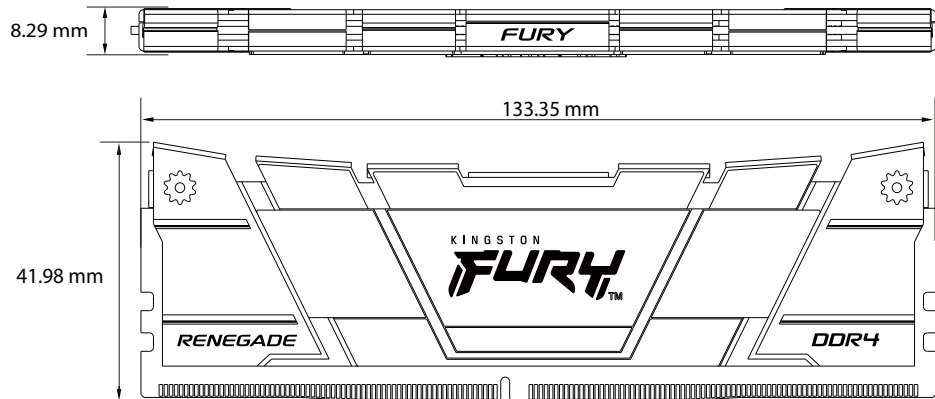
- Power Supply: VDD = 1.2V Typical
- VDDQ = 1.2V Typical
- VPP = 2.5V Typical
- VDDSPD = 2.2V to 3.6V
- On-Die termination (ODT)
- 16 internal banks; 4 groups of 4 banks each
- Bi-Directional Differential Data Strobe
- 8 bit pre-fetch
- Burst Length (BL) switch on-the-fly BL8 or BC4(Burst Chop)
- Height 1.65" (41.98mm), w/heatsink

FACTORY TIMING PARAMETERS

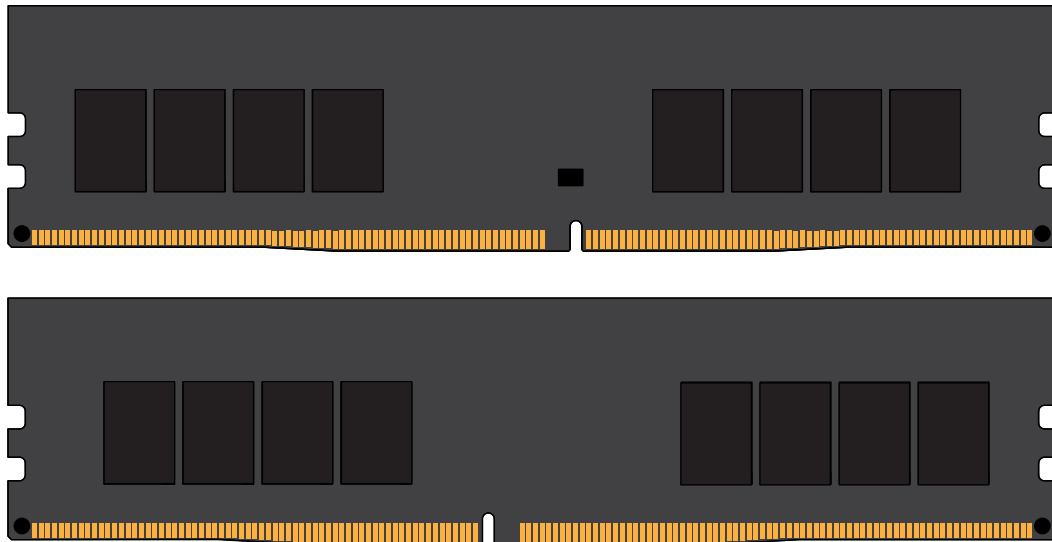
- Default (JEDEC): DDR4-2400 CL17-17-17 @1.2V
- XMP Profile #1: DDR4-4600 CL19-26-26 @1.5V
- XMP Profile #2: DDR4-4000 CL19-21-21 @1.35V

Continued >>

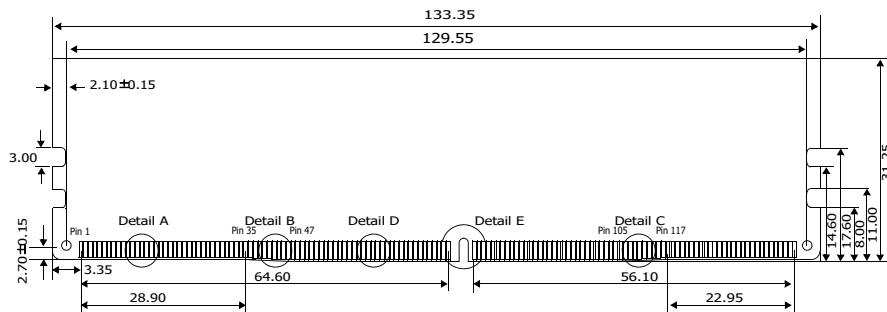
MODULE WITH HEAT SPREADER



MODULE DIMENSIONS



All measurements are in millimeters.
(Tolerances on all dimensions are ± 0.15 unless otherwise specified)



The product images shown are for illustration purposes only and may not be an exact representation of the product. Kingston reserves the right to change any information at anytime without notice.

FOR MORE INFORMATION, GO TO KINGSTON.COM

All Kingston products are tested to meet our published specifications. Some motherboards or system configurations may not operate at the published Kingston FURY memory speeds and timing settings. Kingston does not recommend that any user attempt to run their computers faster than the published speed. Overclocking or modifying your system timing may result in damage to computer components.

| Revision No. | History | Release Date | Remark | Editor | Approved |
|--------------|-----------------|--------------|--------|----------|----------|
| A | Initial Release | 08/10/23 | | David Y. | Alex S. |

*Products and specifications discussed herein are for evaluation and reference purposes only and are subject to change without notice. All information discussed herein is provided on an "as is" basis, without warranties of any kind.