

# SRP-F310II

3 inch POS Printer



Retail



Healthcare & Pharmacy

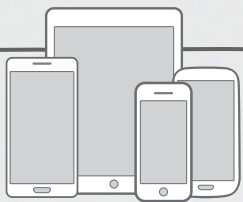


Post & Parcel



Warehouse & Storage Handling

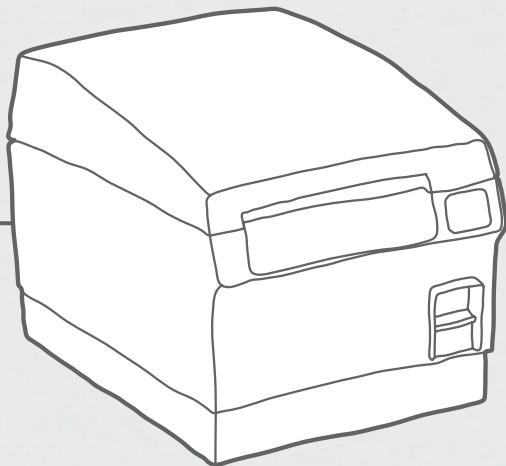
# Experience a truly Waterproof Solution



Compatible with



Made for iPod iPhone iPad



Dual layers for water protection



### Ensuring Business Continuity

- High reliability of 250 km TPH with its auto cutter guaranteed up to 3 million cuts
- Faster printing speed up to 350 mm/sec (29% faster than SRP-F310)
- All in one Plus™ Interface: Built-in USB V2.0 & Ethernet + Optional Serial, Parallel, Powered USB, Bluetooth or WLAN



Built-in power supply

### Low TCO

- Paper save mode supported
- Eco-friendly low power consumption technology adopted
- Energy star certified

### Environmental Endurance

- Liquid-Barrier™ creates real waterproof and dustproof solution (IP12 certified)
- Built-in power supply for space saving and water protection



350 mm/sec

# SRP-F310II

## 3 inch POS Printer

### Specifications

#### Printer Specifications

**Print Method**

Direct Thermal (Front Exit)

**Print Speed**

Up to 350 mm/sec

**Print Resolution**

SRP-F310II: 180 dpi (512 dots)

SRP-F312II: 203 dpi (576 dots)

SRP-F313II: 203 dpi (640 dots)

**Print Width**

SRP-F310II: Up to 72 mm

SRP-F312II: Up to 72 mm

SRP-F313II: Up to 80 mm

**Sensor**

Paper End, Paper Near End, Cover Open

#### Media Characteristics

**Media Type**

Receipt

**Media Width**

80 / 83 mm

**Media Roll Diameter**

Up to 105 mm

**Media Thickness**

0.062 ~ 0.075 mm

**Supply Method**

Easy Paper Loading

#### Physical Characteristics

**Dimensions (WxLxD)**

154 x 203 x 148 mm

(6.06 x 7.99 x 5.82 inch)

**Weight**

2.00 kg (4.40 lbs.)

**Power**

EnergyStar Certified,

External Power Supply Housed Internally

(Adaptor 24V/2.5A, 50/60Hz)

**Drawer Port**

2 ports (Via y-type adaptor)

#### Performance Characteristics

**Memory**

64 Mbit SDRAM, 32 Mbit FlashROM

**NV Image Memory**

768 Kbytes (Mono)

**Receive Buffer**

4Kbytes

**User Define Buffer**

12Kbytes

**Interface**

Standard: USB V2.0 FS +Ethernet

Optional: USB V2.0 FS +Ethernet + Serial /

Dual Serial / Parallel / WLAN\* /

Bluetooth V4.2 Classic / LE)\*\* /

Powered USB

\* WLAN: 802.11a/b/g/n(2.4G+5G)

\*\* Bluetooth: Class 1, MFi certified

#### Environment Characteristics

**Temperature**

Operating: 0 ~ 40°C (32 ~ 104°F)

Storage: -20 ~ 60°C (-4 ~ 140°F)

**Humidity**

Operating: 10 ~ 80% RH

Storage: 10 ~ 90% RH

#### Reliability

**Thermal Print Head (TPH)**

250 km \*\*\*

**Auto Cutter**

3 Million Cuts \*\*\*

**\*\*\* Specified Paper**

- TF50KS-E (Paper thickness: 65µm)

: Nippon Paper industries Co., Ltd.

- PD 150R (Paper thickness: 75µm)

: New Oji Paper Mfg, Co., Ltd

- PD 160R (Paper thickness: 75µm)

: New Oji Paper Mfg, Co., Ltd.

- P350 (Paper thickness: 62µm)

: Kansaki Specialty Paper, Inc. (USA)

#### Software

**Emulation**

BXL / POS

**Driver**

Windows Driver, OPOS Driver, JPOS Driver,

Linux / Mac CUPS Driver,

Virtual COM USB/Ethernet Driver,

Utility Program

**SDK**

iOS SDK, Android SDK

#### Fonts / Graphics / Symbologies

**Character Size**

Font A: 12x24 Font B: 9x17 Font C: 9x 24

KOR, CHN, JPN: 24 x 24

**Characters Per Line**

SRP-F310II: Font A: 42 Font B, C: 56

KOR, CHN, JPN: 21

SRP-F312II: Font A: 48 Font B, C: 64

KOR, CHN, JPN: 24

SRP-F313II: Font A: 53 Font B, C: 71

KOR, CHN, JPN: 26

**Character Sets**

Alphanumeric: 95

Expanded Graphics:128x33 page

International: 32

**Graphics**

Supporting User-Defined Fonts, Graphics,

Formats, and Logos

**Barcode Symbologies**

1D: Coda Bar, Code39, Code93, Code128,

EAN-8, EAN-13, ITF, UPC-A, UPC-E

2D: Data Matrix, PDF417, QR Code



BR-SRP-F310II-EN-MAY17-V1-NF

Copyright © BIXOLON Co., Ltd. All rights reserved. Features and specifications are subject to change without prior notice.

**BIXOLON**®

**BIXOLON Co.,Ltd.**  
+82 (0) 31 218 5500  
sales@bixolon.com

**BIXOLON America Inc.**  
+1 858 764 4580  
sales@bixolonusa.com

**BIXOLON Europe GmbH**  
+49 211 68 78 54 0  
sales@bixolon.de

www.Bixolon.com

